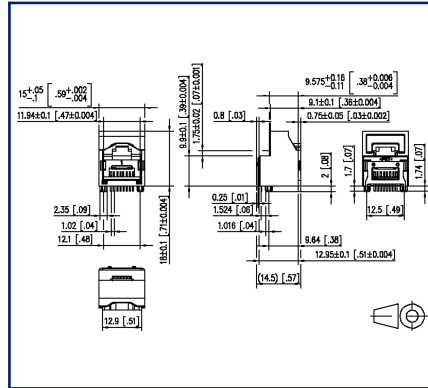


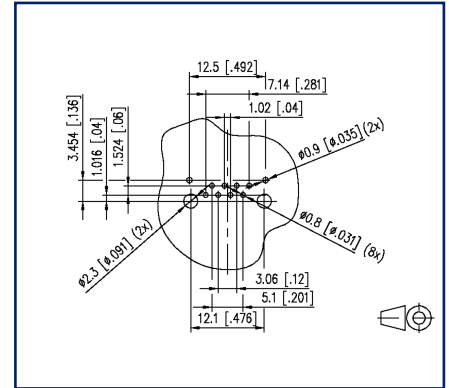
Illustrations



Dimensional drawing



Drill pattern



See enlarged drawings at the end of document

Product specification

- RJ45 Jack
- Single port
- Side entry
- shielded
- suitable for transmission category C6
- Housing color white
- THT solderable
- suitable for mounting rail housing



Technical Data

| General Data | |
|---|-----------------------------------|
| Design | RJ45 |
| Ports | Single port |
| Dimensions | |
| Dimension (L x W x H) | 14.5 mm x 15 mm x 18 mm |
| Dimension (L x W x H) | 0.571 in. x 0.591 in. x 0.709 in. |
| direction of connection of the cable to PCB | side entry |
| Mounting style | side entry |
| Position of latch | top |
| Number of contacts | 8P/8C |
| Color | natural white |
| Shielding | yes |
| Protection category | IP 20 |
| soldering method | THT |
| Material | |
| insulating material | PBT |
| Insulating material class | CTI 175 |
| Insulation material colour | natural white |
| Contact material | CuSn |
| Contact surface | Ni + Au |
| Shield material | CuSn |
| Shield finish material | Sn |
| Special features | 30 µ" Au |
| Climatic Data | |
| upper limit temperature | 70 °C |
| lower limit temperature | -40 °C |
| Electrical characteristics | |
| Rated voltage | max. 50 V |
| Contact resistance | max. 20 mOhm |
| Insulation resistance | min. 500 MOhm |
| Current carrying capacity at 50 °C | 1 |
| Dielectric strength conductor-conductor (primarily) | max. 1000 V DC |

U | Contact

Data sheet
AJT0DA, C6 FTP, white

Page 3/4

P/N
AJT0DA8813-5250

2023/07/04
Version: G

Technical Data

Electrical characteristics

Dielectric strength conductor-shield max. 1500 V DC

Transmission characteristics

HF category Cat.6

Mechanical data

Insertion force 30 N

Life - Number of mating cycles ≥ 750

Standards and approvals

Standards IEC 60603-7

Classifications

ETIM 5.0 EC002637

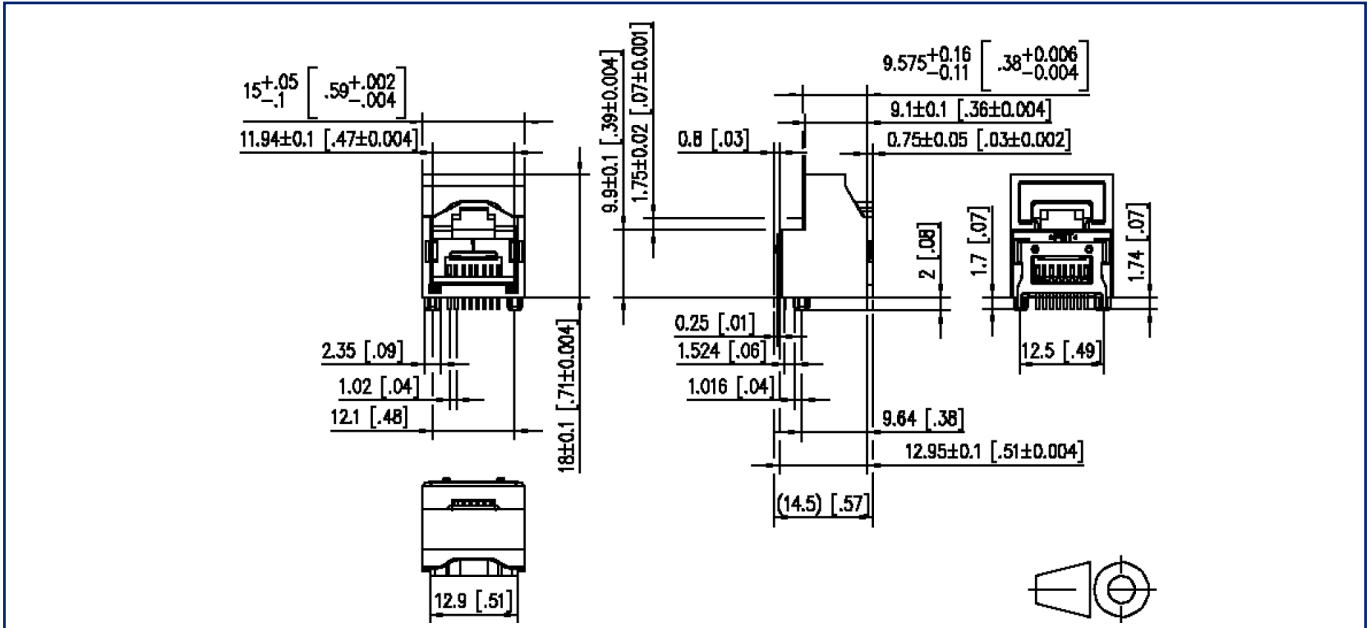
ETIM 6.0 EC002637

ETIM 7.0 EC002637

ETIM 8.0 EC002637

Illustrations

Dimensional drawing



Drill pattern

