

# Data sheet

AJT1DA, C6<sub>A</sub> UTP, black

Page 1/4

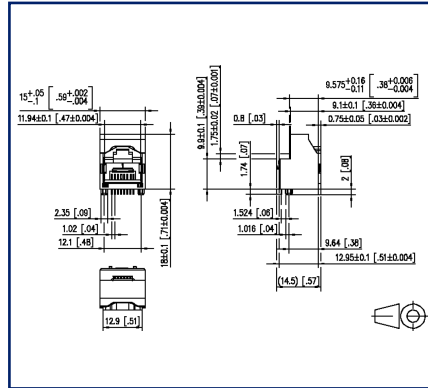
P/N  
AJT1DA8813-5100

2023/07/04  
Version: F

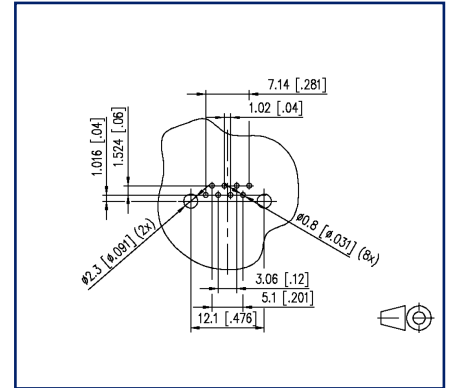
## Illustrations



Dimensional drawing



Drill pattern



See enlarged drawings at the end of document

## Product specification

- RJ45 Jack
- Single port
- Side entry
- unshielded
- suitable for transmission category C6<sub>A</sub>
- Housing color black
- THT solderable
- suitable for mounting rail housing



## Technical Data

### General Data

Design	RJ45
Ports	Single port
Dimensions	
Dimension (L x W x H)	14.5 mm x 15 mm x 18 mm
Dimension (L x W x H)	0.571 in. x 0.591 in. x 0.709 in.
direction of connection of the cable to PCB	side entry
Mounting style	side entry
Position of latch	top
Number of contacts	8P/8C
Color	black
Protection category	IP 20
soldering method	THT

### Material

insulating material	PBT
Insulating material class	CTI 175
Insulation material colour	black
Contact material	CuSn
Contact surface	Ni + Au
Special features	30 µ" Au

### Climatic Data

upper limit temperature	70 °C
lower limit temperature	-40 °C

### Electrical characteristics

Rated voltage	max. 50 V
Contact resistance	max. 20 mOhm
Insulation resistance	min. 500 MOhm
Current carrying capacity at 50 °C	1
Dielectric strength conductor-conductor (primarily)	max. 1000 V DC
Dielectric strength conductor-shield	max. 1500 V DC

## Technical Data

### Transmission characteristics

HF category	Cat.6 <sub>A</sub>
-------------	--------------------

### Mechanical data

Insertion force	20 N
-----------------	------

Life - Number of mating cycles	>= 750
--------------------------------	--------

### Standards and approvals

Standards	IEC 60603-7
-----------	-------------

### Classifications

ETIM 5.0	EC002637
----------	----------

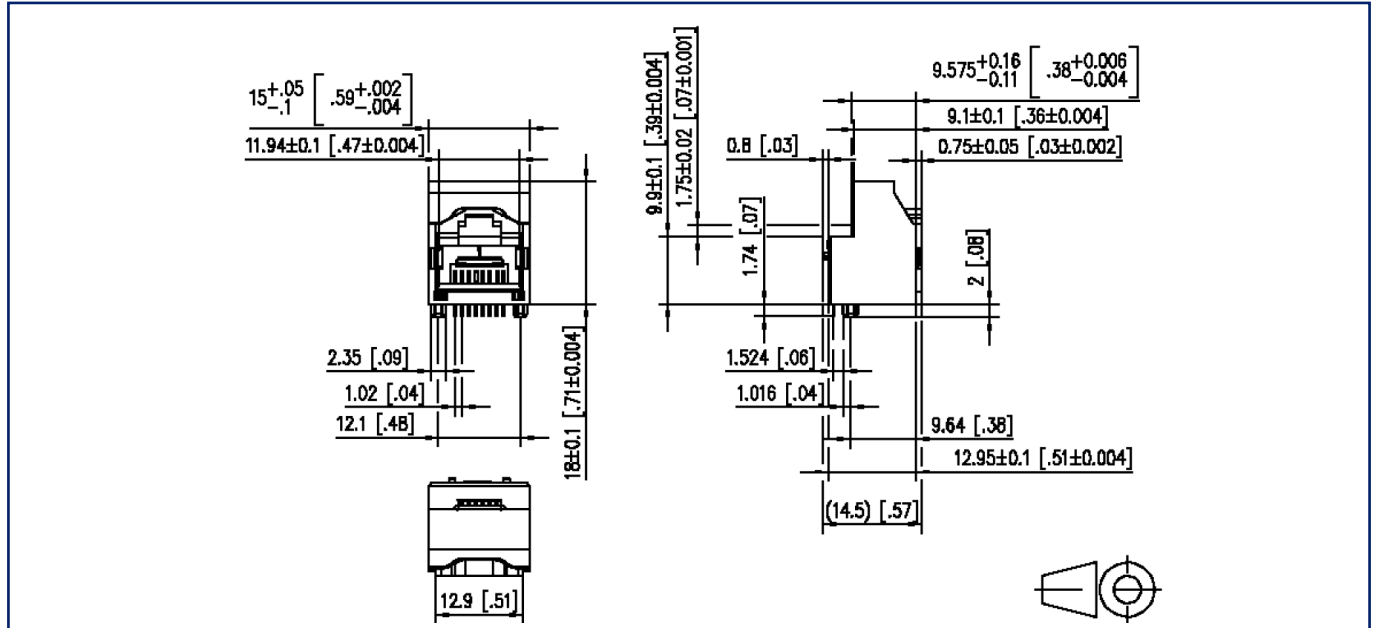
ETIM 6.0	EC002637
----------	----------

ETIM 7.0	EC002637
----------	----------

ETIM 8.0	EC002637
----------	----------

**Illustrations**

Dimensional drawing



Drill pattern

