

# Data sheet

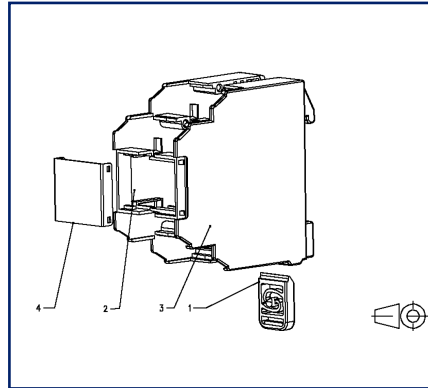
## Housing E16

### Illustrations

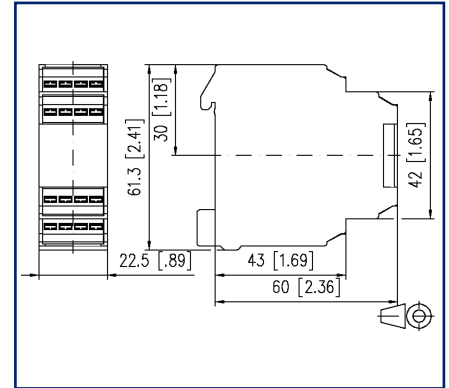


Illustration shows variants of the housing

Exploded drawing



Dimensional drawing



See enlarged drawings at the end of document

### Product specification

- DIN rail housing E16
- housing width 22.5 mm
- suitable for mounting on TH35 rail acc. to IEC 60715
- 4 x 4 connection poles
- double stacked
- screw and spring clamp solutions
- housing is supplied in single parts



## Technical Data

General information	The technical values refer to the completely assembled condition.
<b>Housing</b>	
Dimensions	
Dimension (W x H x D)	22.5 mm x 61.3 mm x 60 mm
Dimension (W x H x D)	0.886 in. x 2.413 in. x 2.362 in.
Number of connection poles	4 x 4 connection poles
Mounting style	Standard rail TH35
Protection category - housing (acc. to IEC 60529)	IP40
Protection category - terminal blocks (acc. to IEC 60529)	IP20
<b>Material</b>	
Color	
housing color	gray
Cover color	white
Bolt color	black
Material	
Material - Housing	PA 6.6 UL 94 V-0
UL file number material housing	E307234, E86034
Material - white cover	PA 6.6 UL 94 V-0
Material - bolt	POM UL 94 HB
UL file number material bolt	E42337
Flammability class	
Flammability class acc. to UL 94 - housing	V0
Flammability class acc. to UL 94 - white cover	V0
Flammability class acc. to UL 94 - bolt	HB
<b>Thermal aging resistance housing material</b>	
RTI Elec acc. to UL 746B	
Temperature °F (max.) - housing	130 °C / 266 °F
Temperature °F (max.) - cover (PA)	130 °C / 266 °F
Temperature °F (max.) - bolt	110 °C / 230 °F
acc. to ISO 75-1, -2	
Temperature °F (1.8 MPa) - housing	85 °C / 185 °F
Temperature °F (0.45 MPa) - housing	185 °C / 365 °F
Temperature °F (1.8 MPa) - cover (PA)	85 °C / 185 °F

**Technical Data****Thermal aging resistance housing material**

acc. to ISO 75-1, -2

Temperature °F (0.45 MPa) - cover (PA)	185 °C / 365 °F
Temperature °F (1.8 MPa) - bolt	104 °C / 219 °F
Temperature °F (0.45 MPa) - bolt	160 °C / 320 °F

**Classifications**

ETIM 5.0	EC001031
ETIM 6.0	EC001031
ETIM 7.0	EC001031
ETIM 8.0	EC001031



# U | Contact

## Data sheet Housing E16

Page 4/9

2023/07/04  
Version: H

### Suitable terminal block

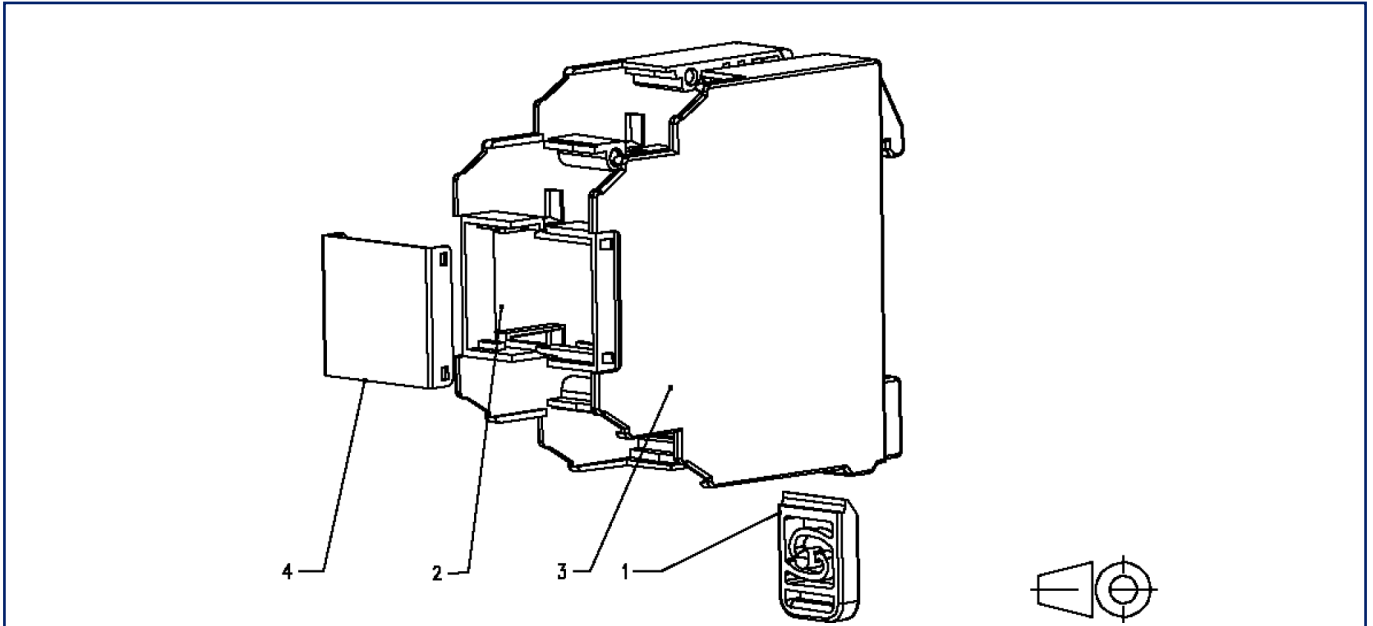
P/N	Designation
31071104	RT02504HBLC Type 071, 4-pole
31071104-000101	RT02504HBLC0101 Type 071 special version, 4-pole
SR25504HBNC	SR25504HBNC, 4-pole
ST25504HBNN	ST25504HBNN, 4-pole

**Consisting of**

P/N	Designation	Numbering
381001-2	Bolt E housing, black	1
381009-10	Half of housing E16 left, gray, two-storey, 22,5 mm	2
381010-10	Half of housing E16 right, gray, two-storey, 22,5 mm	3
381011-9	Cover E16, white, 22,5 mm	4

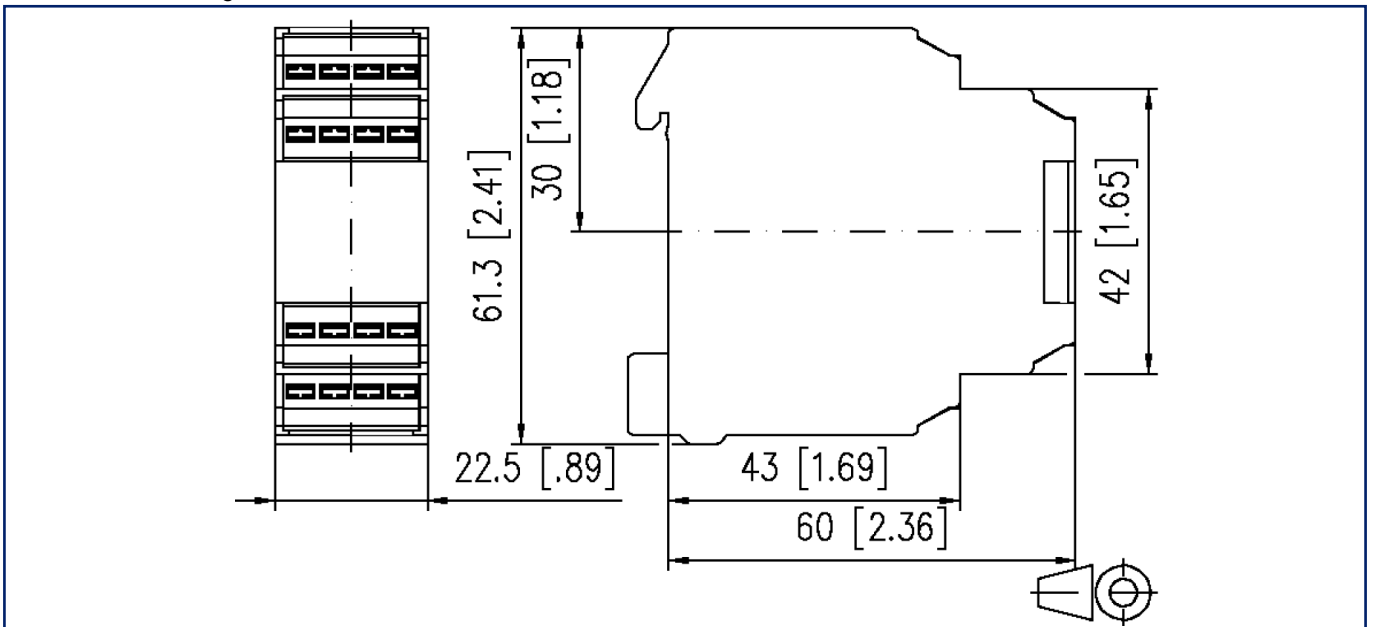
**Illustrations**

Exploded drawing



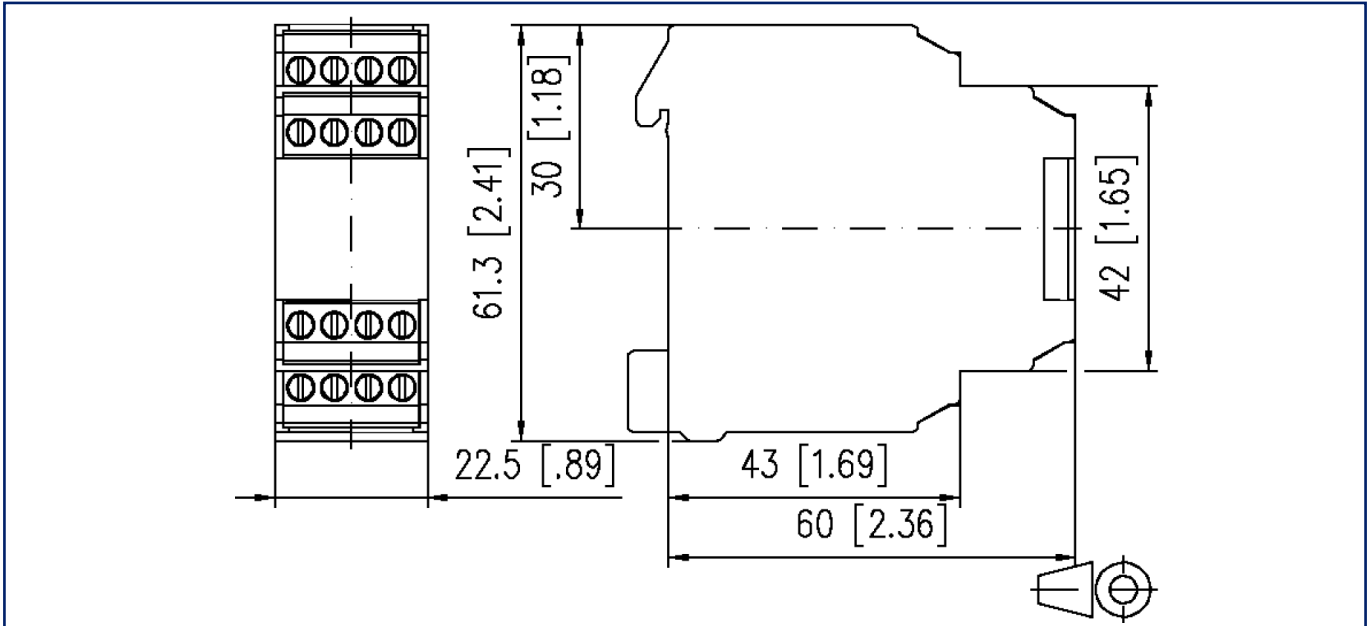
Housing is supplied in single parts

Dimensional drawing

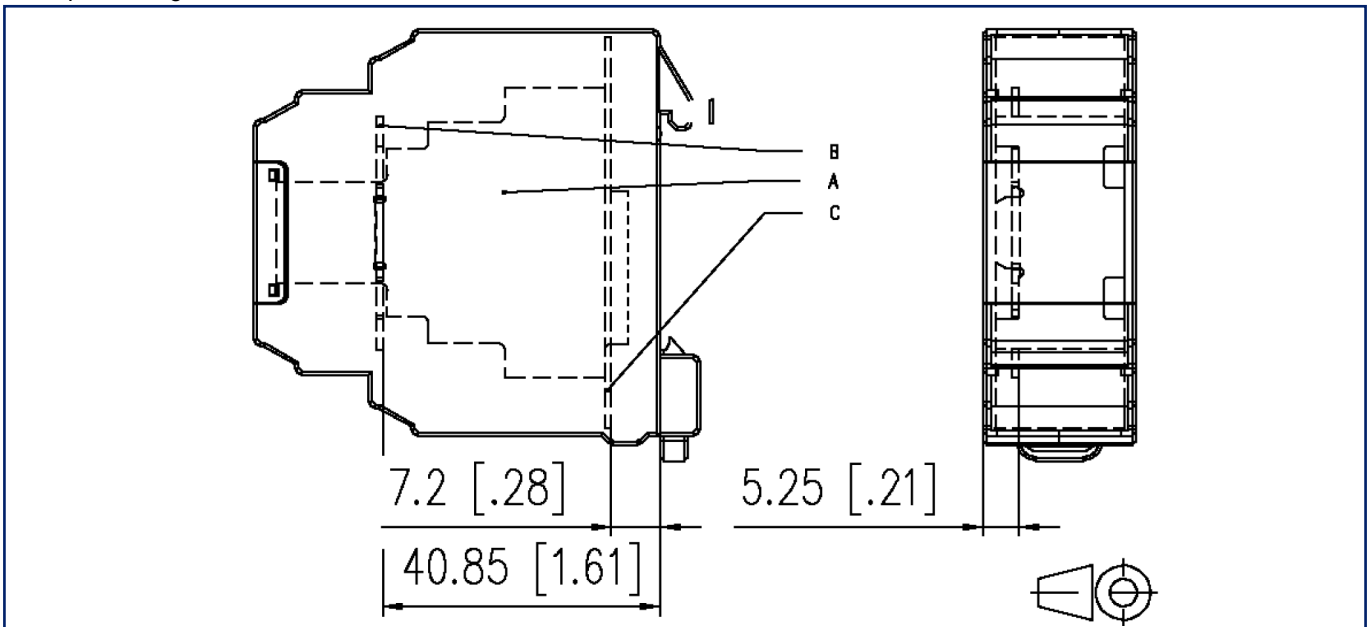


**Illustrations**

Dimensional drawing

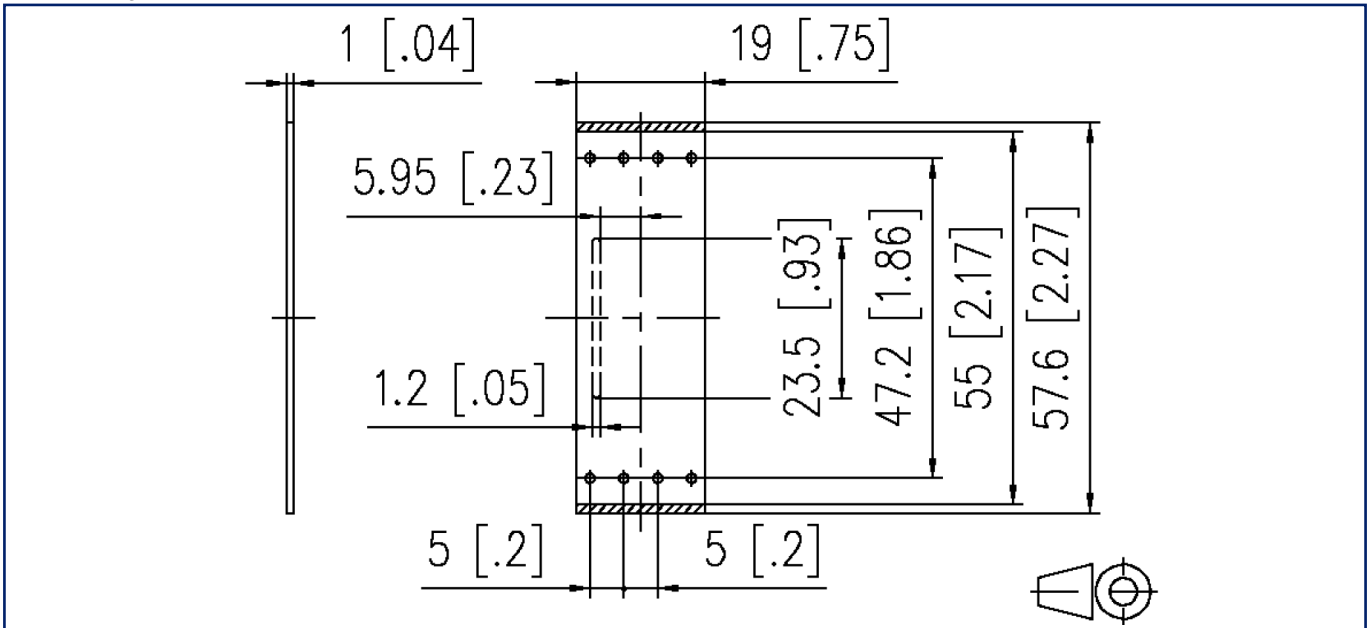


PCB positioning

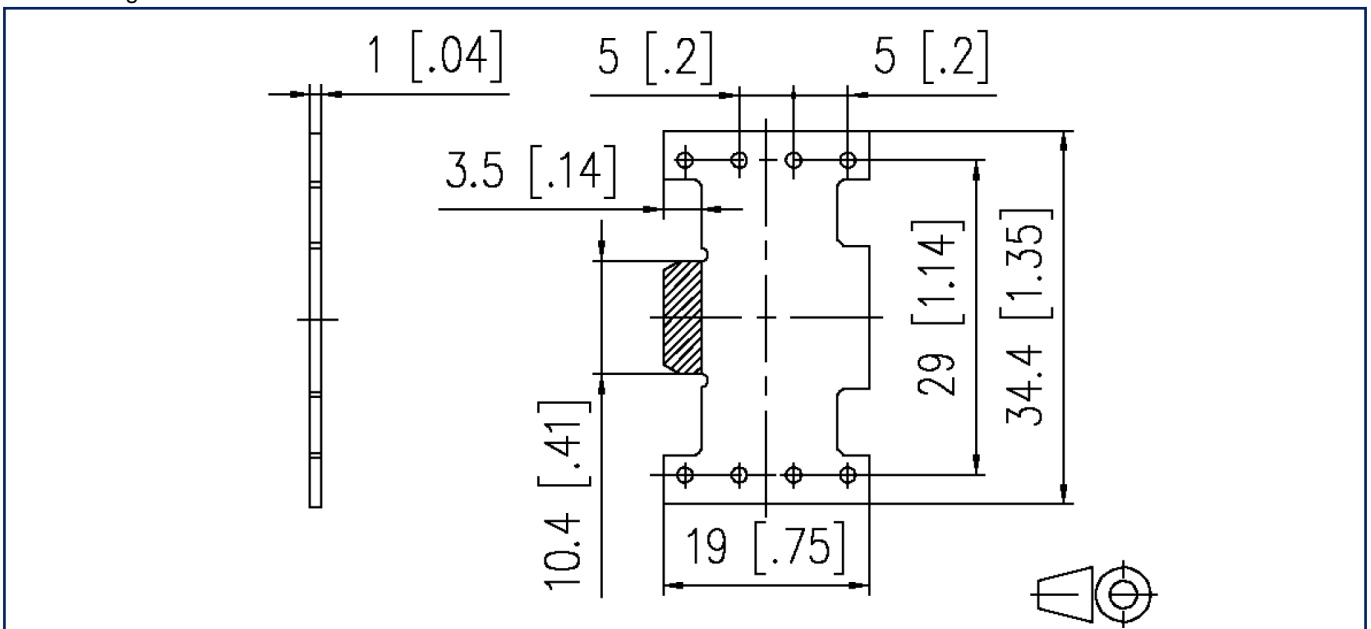


**Illustrations**

PCB cutting below



PCB cutting above





## Illustrations

PCB cutting vertical

