

Data sheet

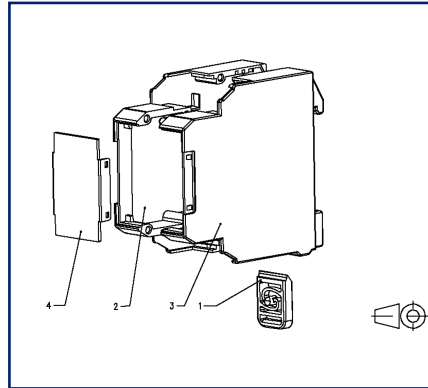
Housing E08

Illustrations

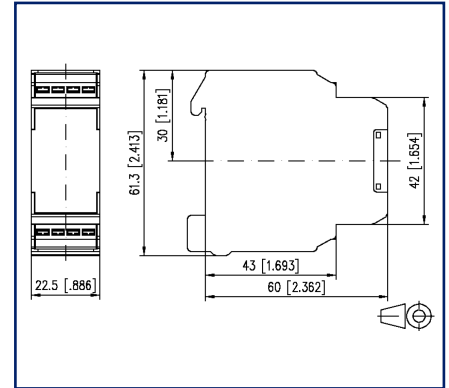


Illustration shows variants of the housing

Exploded drawing



Dimensional drawing



See enlarged drawings at the end of document

Product specification

- DIN rail housing E08
- housing width 22.5 mm
- suitable for mounting on TH35 rail acc. to IEC 60715
- 2 x 4 connection poles
- screw and spring clamp solutions
- housing is supplied in single parts



Technical Data

| | |
|---|---|
| General information | The technical values refer to the completely assembled condition. |
| Housing | |
| Dimensions | |
| Dimension (W x H x D) | 22.5 mm x 61.3 mm x 60 mm |
| Dimension (W x H x D) | 0.886 in. x 2.413 in. x 2.362 in. |
| Number of connection poles | 2 x 4 connection poles |
| Mounting style | Standard rail TH35 |
| Protection category - housing (acc. to IEC 60529) | IP40 |
| Protection category - terminal blocks (acc. to IEC 60529) | IP20 |
| Material | |
| Color | |
| housing color | gray |
| Cover color | white |
| Bolt color | black |
| Material | |
| Material - Housing | PA 6.6 UL 94 V-0 |
| UL file number material housing | E307234, E86034 |
| Material - white cover | PA 6.6 UL 94 V-0 |
| Material - bolt | POM UL 94 HB |
| UL file number material bolt | E42337 |
| Flammability class | |
| Flammability class acc. to UL 94 - housing | V0 |
| Flammability class acc. to UL 94 - white cover | V0 |
| Flammability class acc. to UL 94 - bolt | HB |
| Thermal aging resistance housing material | |
| RTI Elec acc. to UL 746B | |
| Temperature °F (max.) - housing | 130 °C / 266 °F |
| Temperature °F (max.) - cover (PA) | 130 °C / 266 °F |
| Temperature °F (max.) - bolt | 110 °C / 230 °F |
| acc. to ISO 75-1, -2 | |
| Temperature °F (1.8 MPa) - housing | 85 °C / 185 °F |
| Temperature °F (0.45 MPa) - housing | 185 °C / 365 °F |
| Temperature °F (1.8 MPa) - cover (PA) | 85 °C / 185 °F |

Technical Data**Thermal aging resistance housing material**

acc. to ISO 75-1, -2

| | |
|--|-----------------|
| Temperature °F (0.45 MPa) - cover (PA) | 185 °C / 365 °F |
| Temperature °F (1.8 MPa) - bolt | 104 °C / 219 °F |
| Temperature °F (0.45 MPa) - bolt | 160 °C / 320 °F |

Classifications

| | |
|----------|----------|
| ETIM 5.0 | EC001031 |
| ETIM 6.0 | EC001031 |
| ETIM 7.0 | EC001031 |
| ETIM 8.0 | EC001031 |

U | Contact

Data sheet Housing E08

Page 4/9

2023/07/04

Version: J

Suitable terminal block

| P/N | Designation |
|-----------------|--|
| 31071104-000101 | RT02504HBLC0101 Type 071 special version, 4-pole |
| ST25504HBNN | ST25504HBNN, 4-pole |



U | Contact

Data sheet Housing E08

Page 5/9

2023/07/04

Version: J

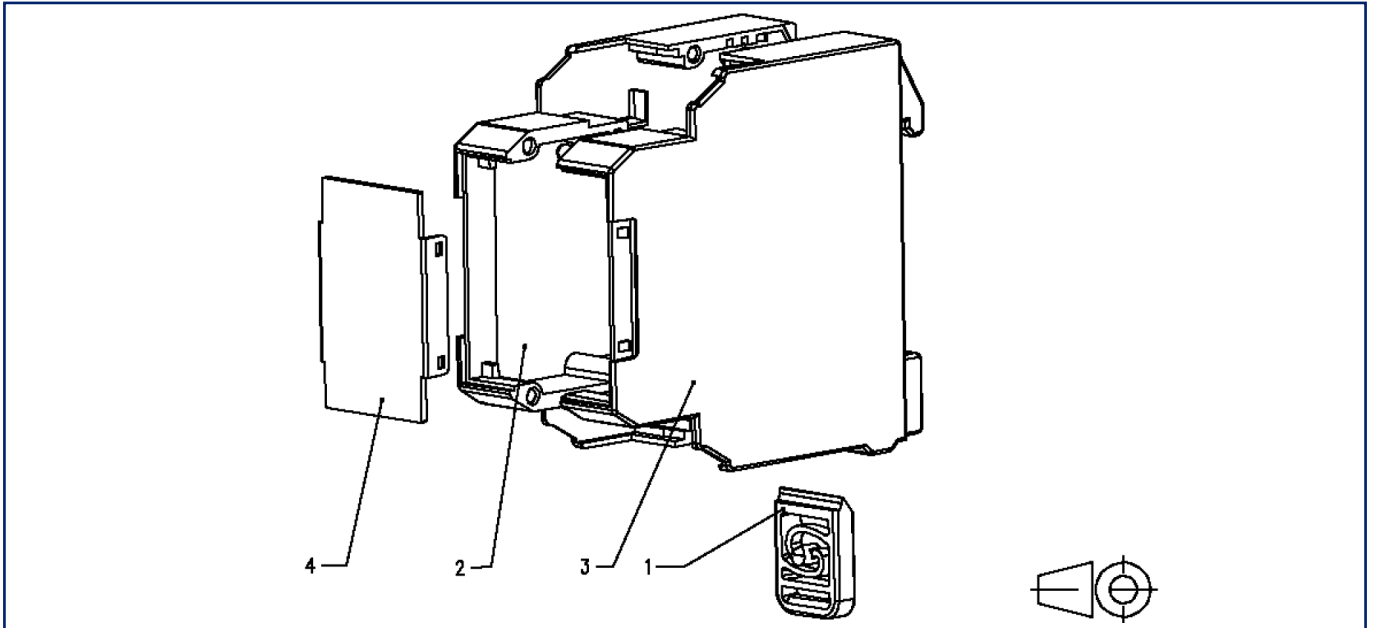
Consisting of

| P/N | Designation | Numbering |
|-----------|--|-----------|
| 381001-2 | Bolt E housing, black | 1 |
| 381006-10 | Half of housing E08 left, gray, 22,5 mm | 2 |
| 381007-10 | Half of housing E08 right, gray, 22,5 mm | 3 |
| 381008-9 | Cover E08, white, 22,5 mm | 4 |



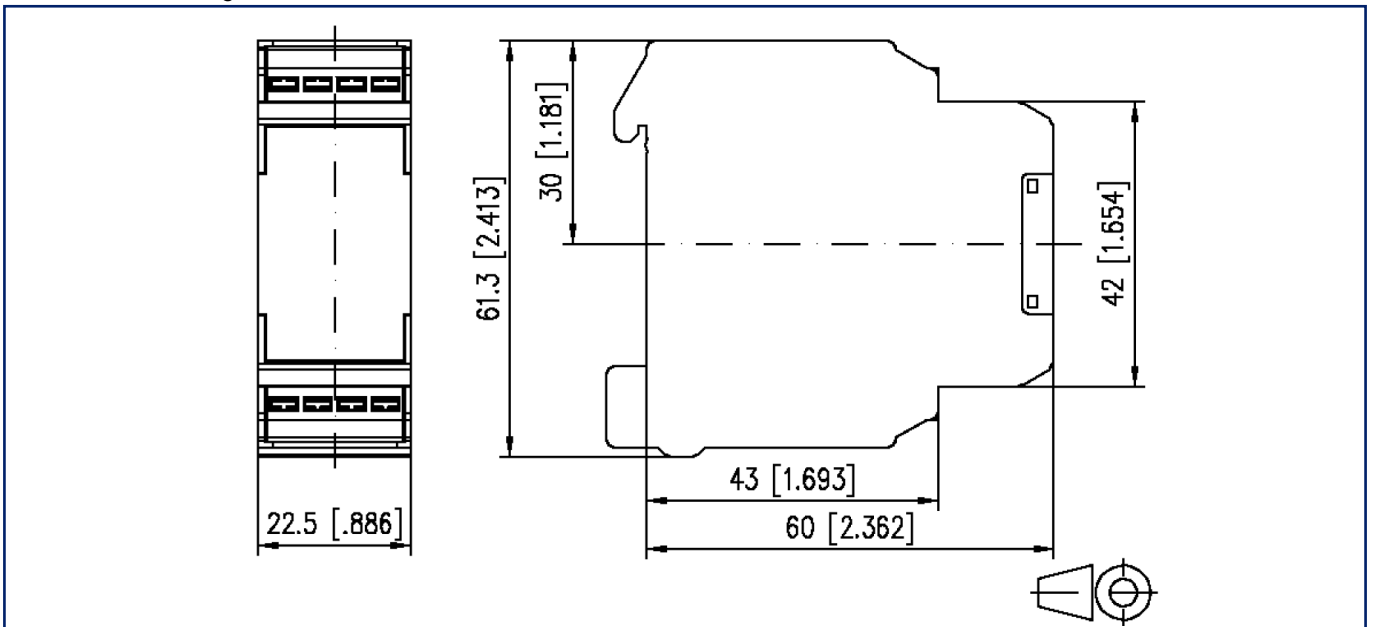
Illustrations

Exploded drawing



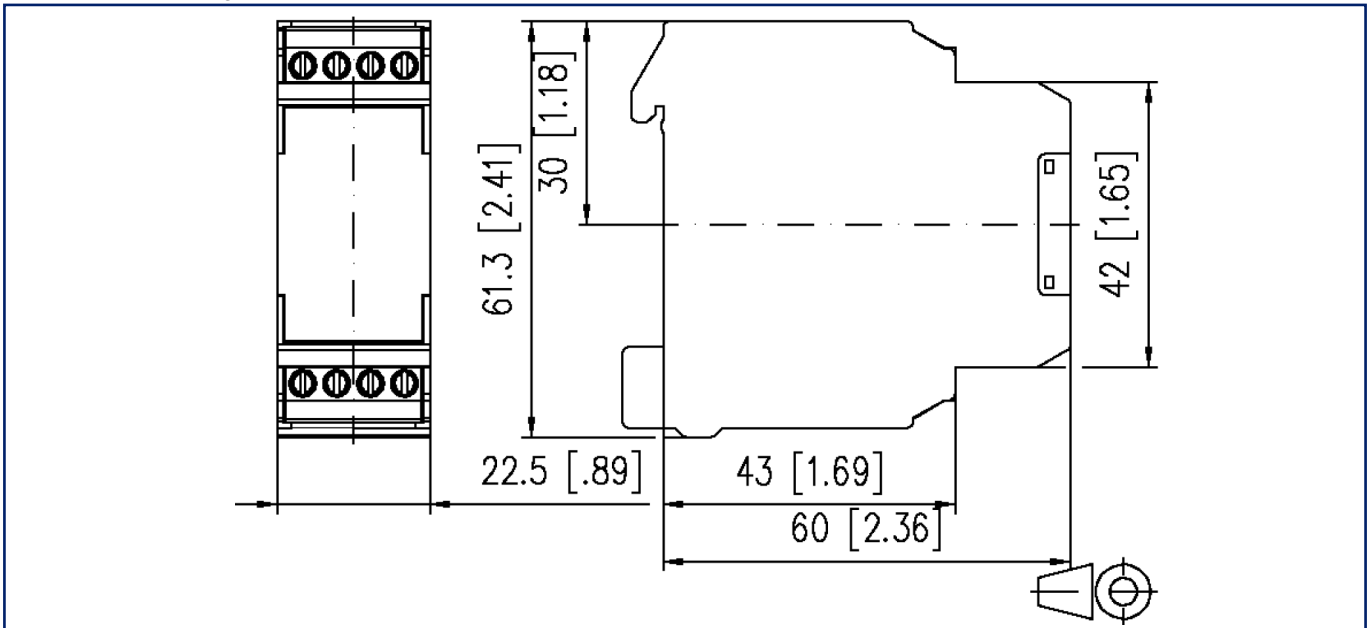
Housing is supplied in single parts

Dimensional drawing

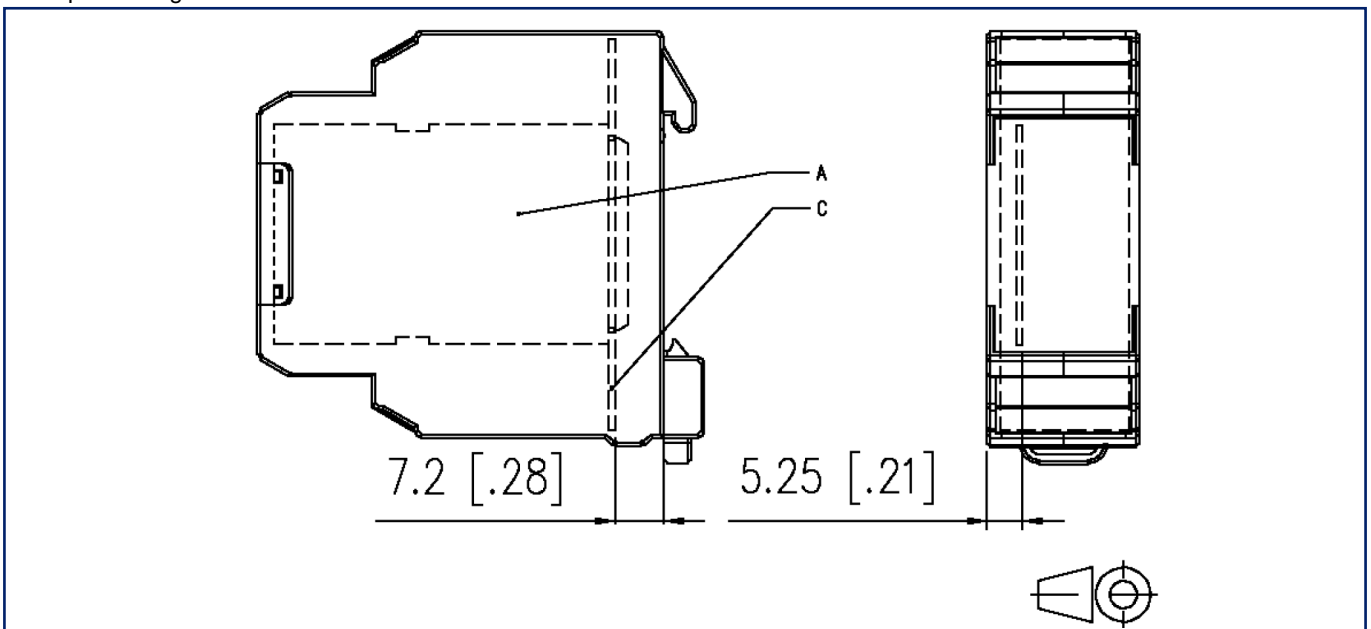


Illustrations

Dimensional drawing

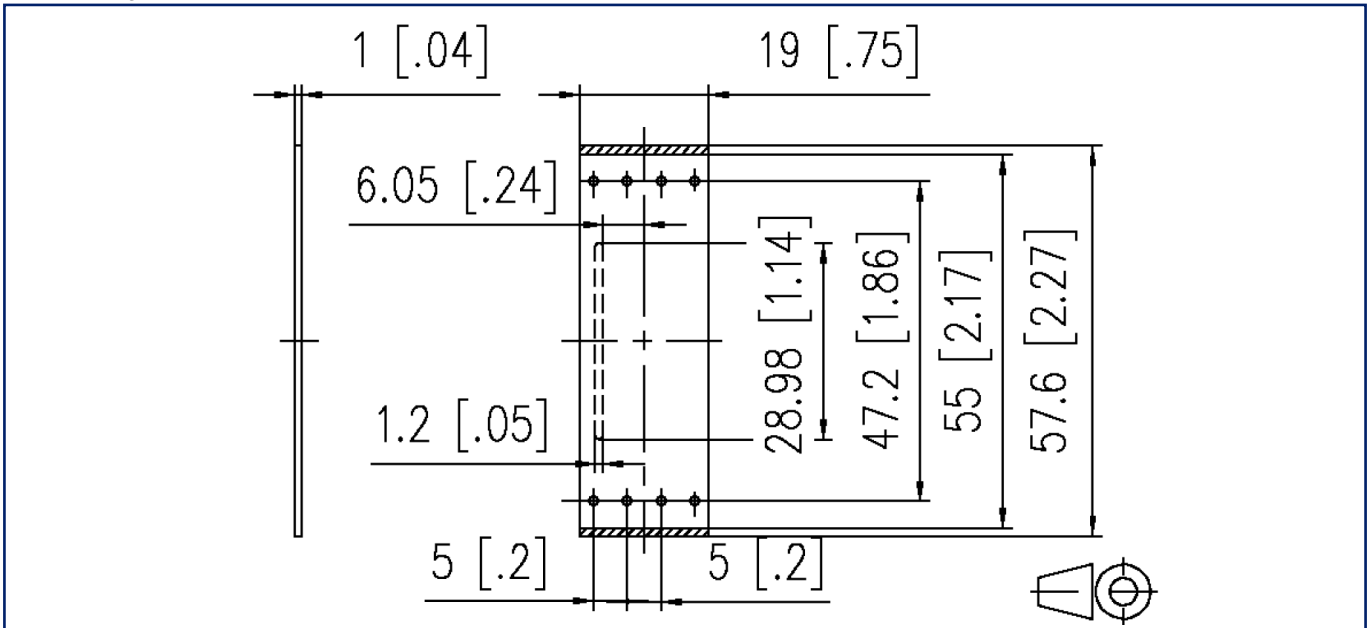


PCB positioning

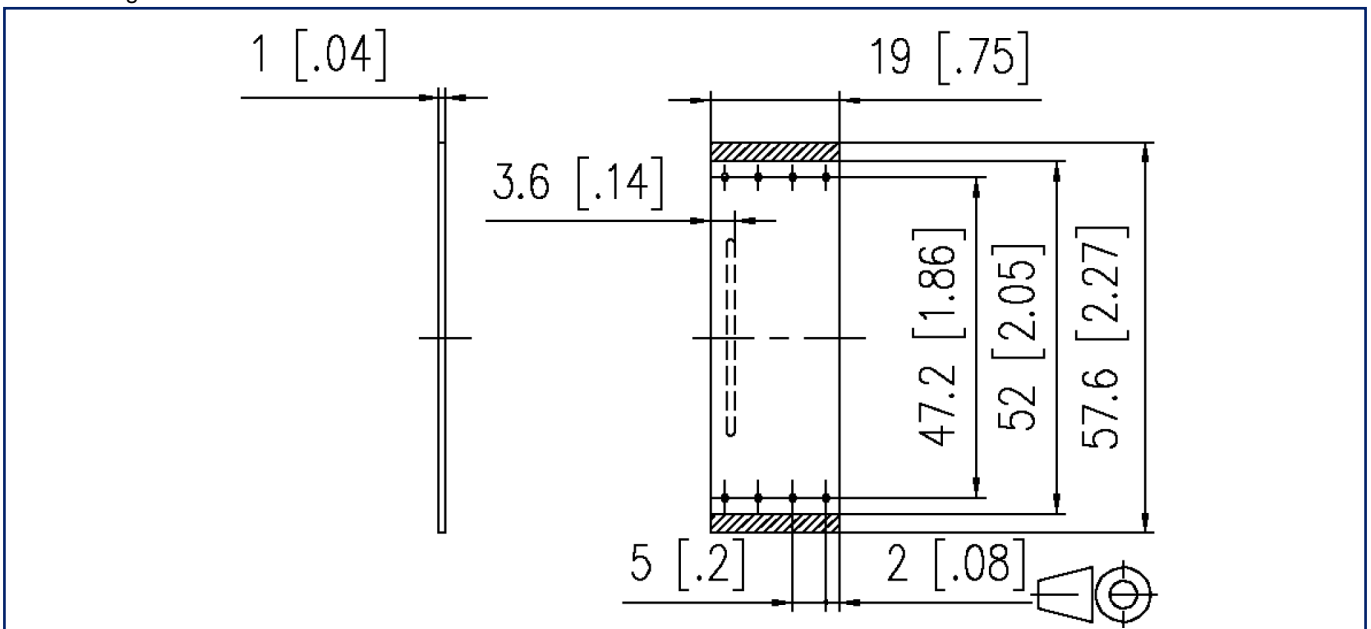


Illustrations

PCB cutting below



PCB cutting above



U | Contact

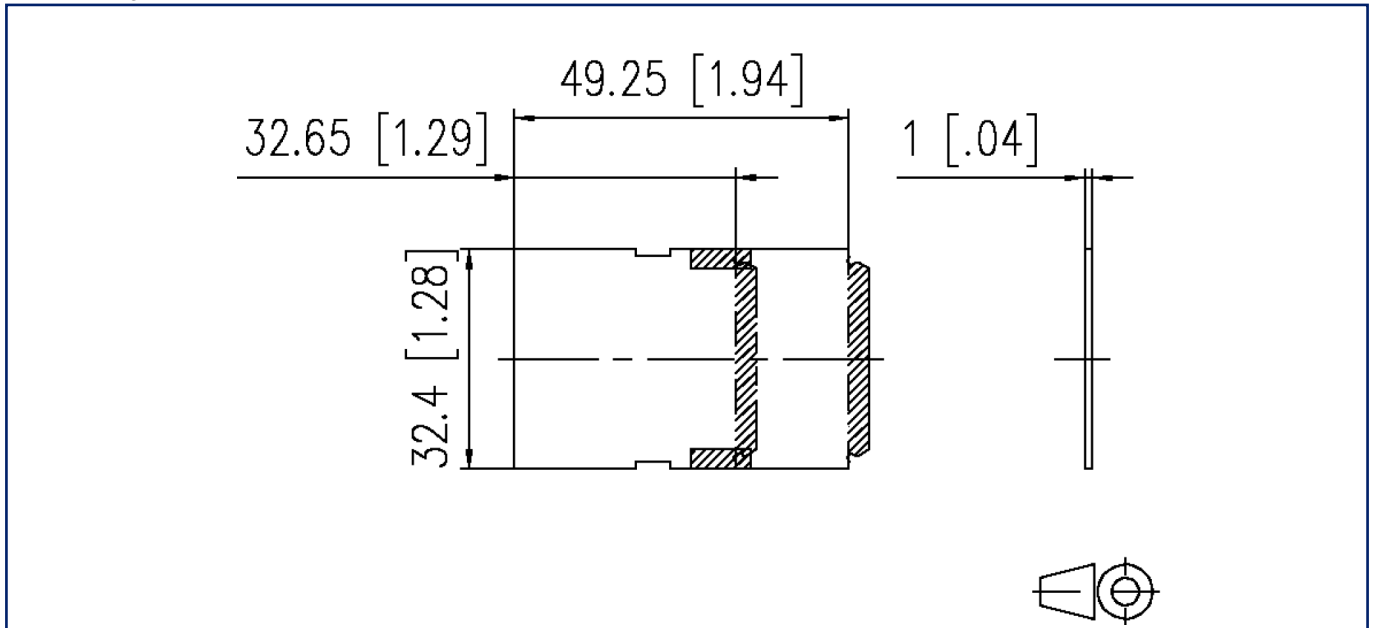
Data sheet Housing E08

Page 9/9

2023/07/04
Version: J

Illustrations

PCB cutting vertical



© 2023 METZ CONNECT - Technische Änderungen vorbehalten! Subject to modifications! Sous réserve de modifications techniques!