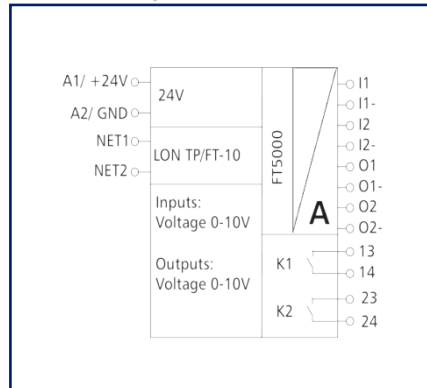


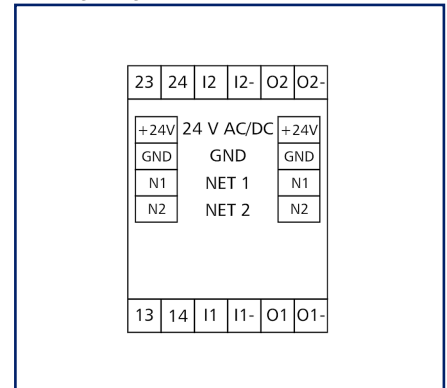
Illustrations



Principle diagram



Wiring diagram



See enlarged drawings at the end of document

Product specification

The LON I/O module with 2 analog inputs, 2 analog outputs and 2 digital outputs. It is suitable for controlling, for example, motorized vent valves and switching on alarm at the set threshold value. The inputs and outputs are scanned and activated by SNVT network variables. The analog inputs can be scanned simultaneously. The analog outputs can be activated proportionally, or previously defined voltage values can be adjusted. Both digital outputs can be activated individually or as a function of an adjustable threshold value. Suitable for decentralized mounting on DIN TH35 rail according to IEC 60715 in electrical distribution cabinets.

- Connection with screw type terminal blocks

## Technical Data

### Approvals



Open Energy Management Equipment 34TZ

### RS485 interface

Protocol	TP/FT-10, free topology
Neuron	FT5000
Data format	Standard network variables (SNVT)
Transmission parameters	
Transmission rate	78 Kbit/s
Line topology	2700 m / 64 nodes
Free topology	500 m / 64 nodes
Cabling	Twisted Pair

### Supply

Operating voltage	24 V AC/DC +/- 10 % (SELV)
Power consumption	
Power consumption AC (max.)	95 mA
Power consumption DC (max.)	35 mA
Duty cycle relative	100 %
Recovery time	550 ms

### Inputs

Analog inputs	2
Voltage range	0 V - 10 V DC
Resolution voltage input	10 mV / digit
Error voltage input	100 mV

### Outputs

Analog outputs	2
Voltage range	0 V - 10 V DC
Resolution voltage output	10 mV / digit
Error voltage output	100 mV
Continuous current voltage output	5 mA at 10 V DC
Digital outputs	2
Semiconductor output	2 normally open contacts
Switching voltage semiconductor output (max.)	40 V AC/DC

## Technical Data

Outputs	
Continuous current semiconductor output	100 mA
Switch-on current semiconductor output (max.)	500 mA
Housing	
Dimensions	
Dimension (W x H x D)	35 mm x 69.3 mm x 60 mm
Dimension (W x H x D)	1.378 in. x 2.728 in. x 2.362 in.
Weight	82 g
Mounting style	Standard rail TH35
Mounting position	any
Apposition	The maximum quantity of LON modules connected side-by-side is limited to 15 or to a maximum power consumption of 2 Amps (AC or DC) per connection to the power supply. For any similar block of additional modules a separate connection to the power supply is necessary., without distance
Connection type	Screw type terminal blocks
Indicator	green and yellow LED
Terminal blocks	
Supply and bus	
Terminal block	4-pole
Solid wire (AWG)	max. 1.5 mm <sup>2</sup> / max. 16 AWG
Stranded wire (AWG)	max. 1 mm <sup>2</sup> / max. 18 AWG
Wire diameter	max. 1.4 mm - min. 0.3 mm
Module connection	
Wire cross section solid	0.34 mm <sup>2</sup> - 2.5 mm <sup>2</sup> / AWG 22-12
Wire cross section multi	0.25 mm <sup>2</sup> - 2.5 mm <sup>2</sup> / AWG 22-12
Wire cross section with wire ferrule	0.25 mm <sup>2</sup> - 2.5 mm <sup>2</sup> / AWG 22-12
Screw torque (max.)	0.5 Nm
Stripping length (min.)	8 mm
Protection circuit	Polarity reversal protection for DC operating voltage

## Technical Data

### Material

Material - Housing	Polyamid 6.6 V0
Color	gray
Material - Terminal block	Polyamid 6.6 V0
Material - Covers	Polycarbonat

### Protection category according to IEC 60529

Protection category - housing (acc. to IEC 60529)	IP40
Protection category - terminal blocks (acc. to IEC 60529)	IP20

### Temperature range

Operating	
Temperature - Operating °C	-5 °C - 55 °C
Temperature - Operating °F	23 °F - 131 °F
Storage	
Temperature - Storage °C	-20 °C - 70 °C
Temperature - Storage °F	-4 °F - 158 °F

### Classifications

ETIM 7.0	EC001584
ETIM 8.0	EC001584
ETIM 9.0	EC001584

### Software and additional documents

Software and documentation	Further documentation is available for free download at <a href="http://www.metz-connect.com">www.metz-connect.com</a>
----------------------------	--

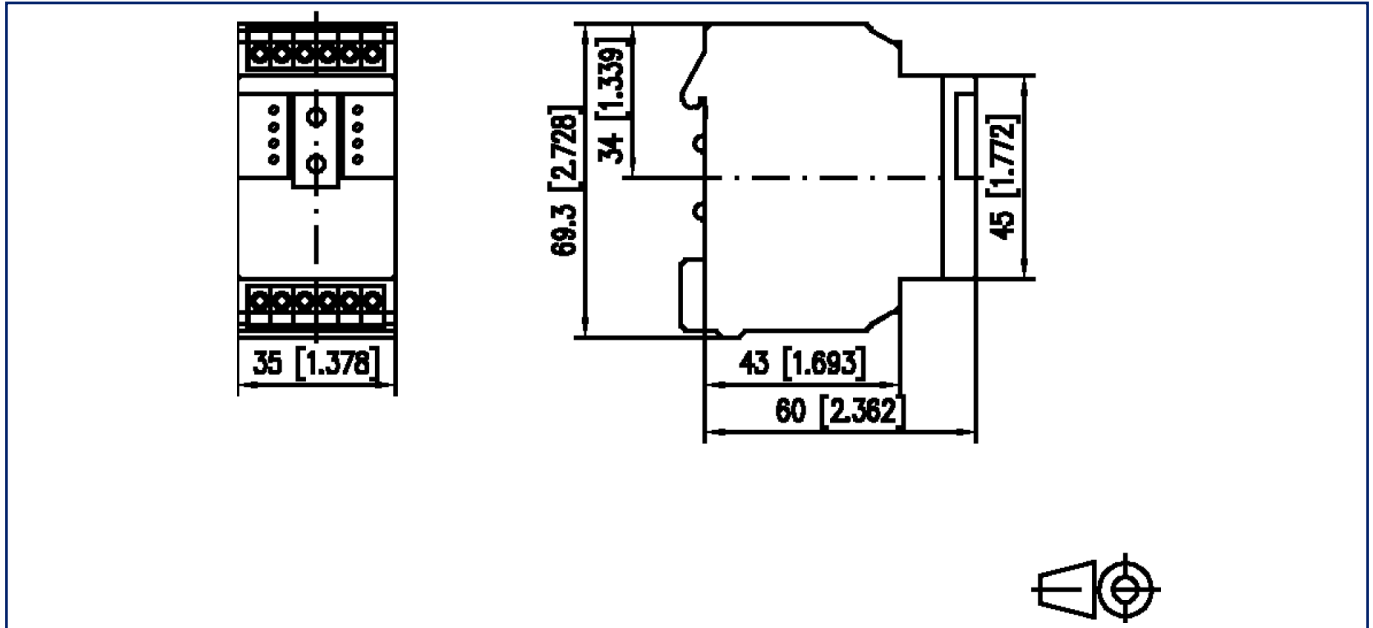
## Accessories

P/N	Designation
110369	Terminal block Type 259
110486	HUB DC
110561	Power supply NG4 24 V DC
11087913	LF-FAM LON
31135104	Typ 135 RIACON 135_3.5

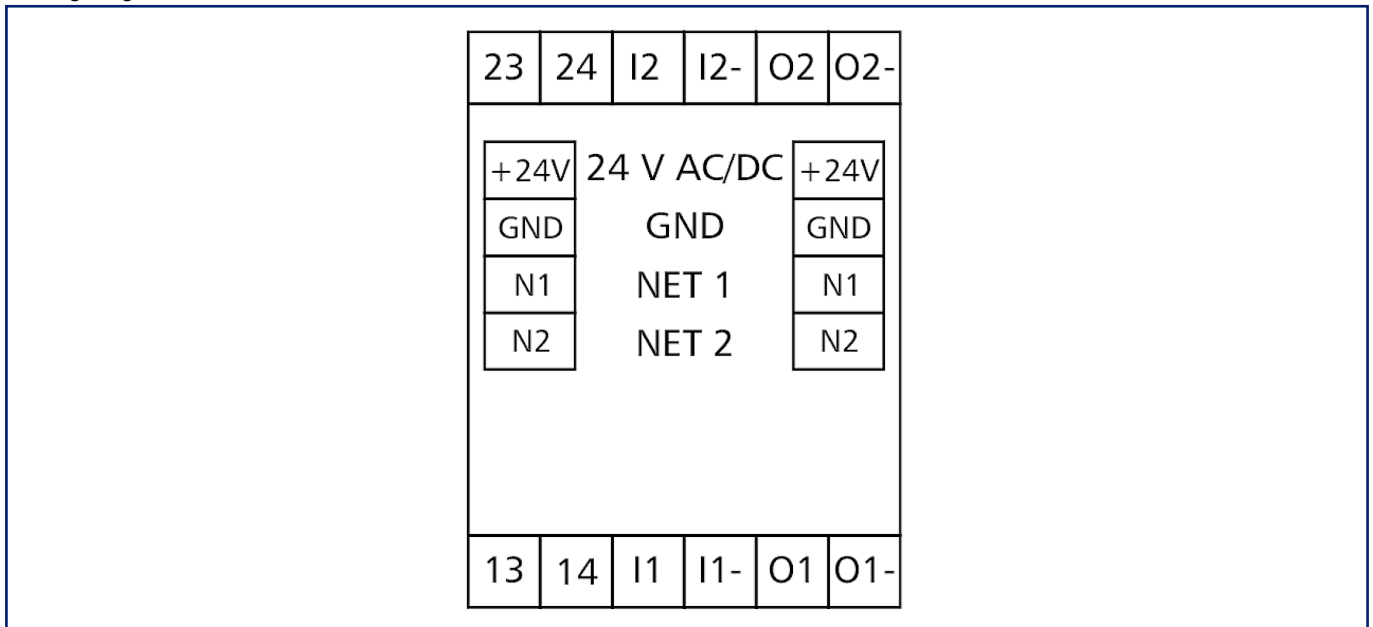


## Illustrations

Dimensional drawing



Wiring diagram



## Illustrations

Principle diagram

