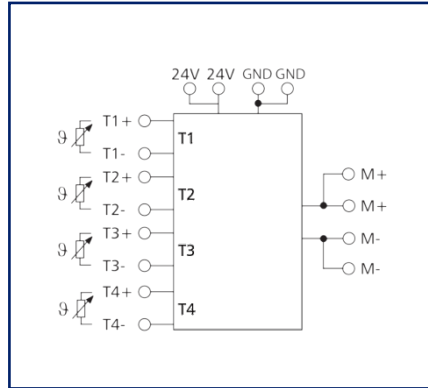


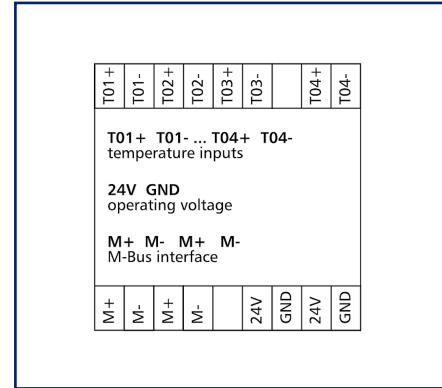
Illustrations



Principle diagram



Wiring diagram



See enlarged drawings at the end of document

Product specification

Temperature converter to connect up to 4 different resistance temperature sensors in dual cable technology with a resolution in 0.1 K. The addressing of the 4 temperature sensors is done via 4 M-Bus addresses according to M-Bus standard DIN EN-1434-3. The temperature is directly converted in the device. The temperature converter occupies 4 clear M-Bus addresses specified by the manufacturer. It is possible to set for each channel 1 of 11 stored temperature sensor characteristics with the M-Bus configuration tool (www.metz-connect.com) or to transmit the resistance value directly. The cable length compensation is done with the push-button assigned to the respective temperature input. The factory setting is: -30 °C to 130 °C / PT1000.

- Connection with spring clamp terminal blocks (push-in)

Technical Data

Selectable characteristics	
Sensor (-30 °C to 130 °C)	PT100, PT500, PT1000, Ni100, Ni1000, NTC1k8, NTC10k, NTC20k, KTY10
Sensor (0 °C to 400 °C)	PT100, PT1000
Resistance value	Index = 1 (all sensors)
M-Bus protocol	
Protocol	M-Bus
Bus interface	two-wire bus
Transmission rate	300 Bit/s (Bd) - 2400 Bit/s (Bd)
Supply	
Operating voltage	24 V DC +/- 10 % (SELV)
Power consumption	
Power consumption (max.)	50 mA
Inputs	
S0 inputs acc. to DIN EN 62053-31 Class A	4
Housing	
Dimensions	
Dimension (W x H x D)	50 mm x 69.3 mm x 60 mm
Dimension (W x H x D)	1.969 in. x 2.728 in. x 2.362 in.
Weight	70 g
Mounting style	Standard rail TH35
Mounting position	any
Apposition	without distance
Connection type	Spring clamp terminal blocks
Indicator	green LED
Terminal blocks	
Module connection	
Wire cross section solid	0.2 mm ² - 2.5 mm ² / AWG 24-14
Wire cross section multi	0.25 mm ² - 2.5 mm ² / AWG 24-12
Wire cross section with wire ferrule	0.25 mm ² - 1.5 mm ² / AWG 24-16
Stripping length (min.)	8 mm

Technical Data

Material	
Material - Housing	Polyamid 6.6 V0
Color	gray
Material - Terminal block	Polyamid 6.6 V0
Material - Covers	Polycarbonat
Protection category according to IEC 60529	
Protection category - housing (acc. to IEC 60529)	IP40
Protection category - terminal blocks (acc. to IEC 60529)	IP20
Temperature range	
Operating	
Temperature - Operating °C	-10 °C - 50 °C
Temperature - Operating °F	14 °F - 122 °F
Storage	
Temperature - Storage °C	-20 °C - 70 °C
Temperature - Storage °F	-4 °F - 158 °F
Classifications	
ETIM 7.0	EC001102
ETIM 8.0	EC001102
ETIM 9.0	EC001102
Software and additional documents	
Software and documentation	Further documentation is available for free download at www.metz-connect.com

Accessories

P/N	Designation
11056170	Power supply NG4-F 24 V DC

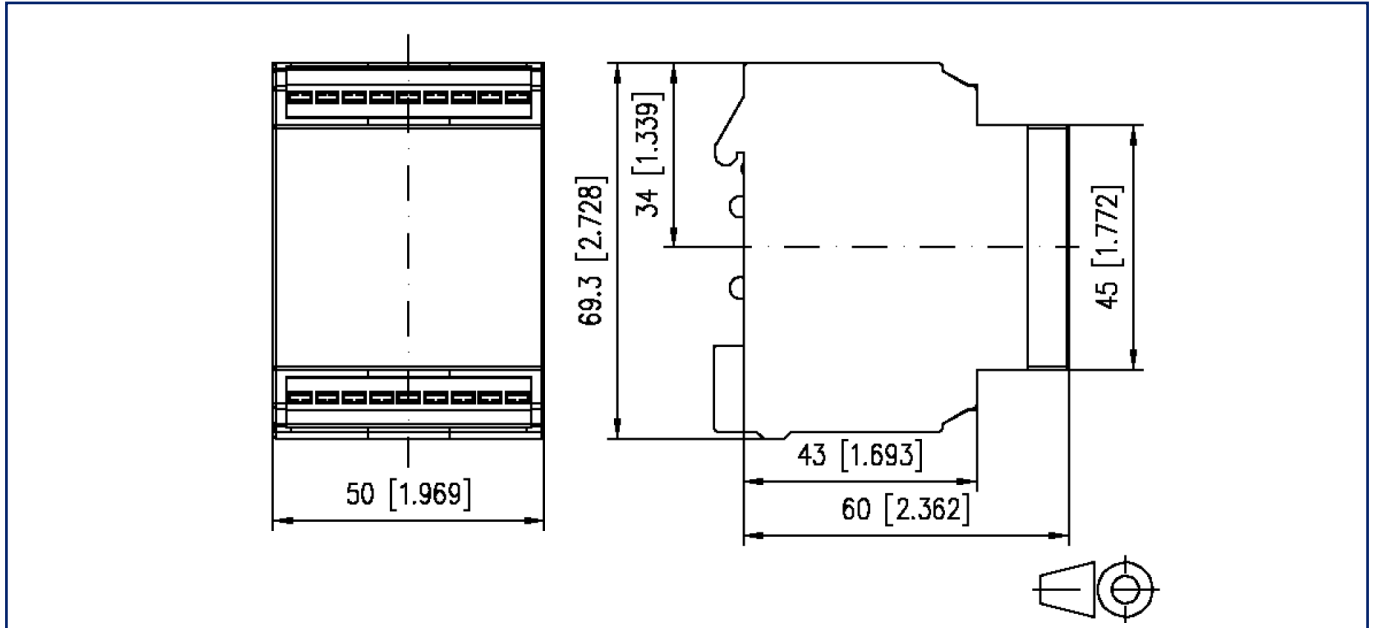
Accessories from

P/N	Designation
110904	EWIO ₂ -BM Ethernet-IO / BACnet / Modbus
110905	EWIO ₂ Ethernet-IO
110906	EWIO ₂ -W Ethernet-IO / WLAN
110909	EWIO ₂ -W-BM Ethernet-IO / WLAN / BACnet / Modbus
110930	EWIO ₂ -M M-Bus
110931	EWIO ₂ -MW M-Bus / WLAN
110934	EWIO ₂ -MW-BM M-Bus / WLAN / BACnet / Modbus
110935	EWIO ₂ -M-BM M-Bus / BACnet / Modbus

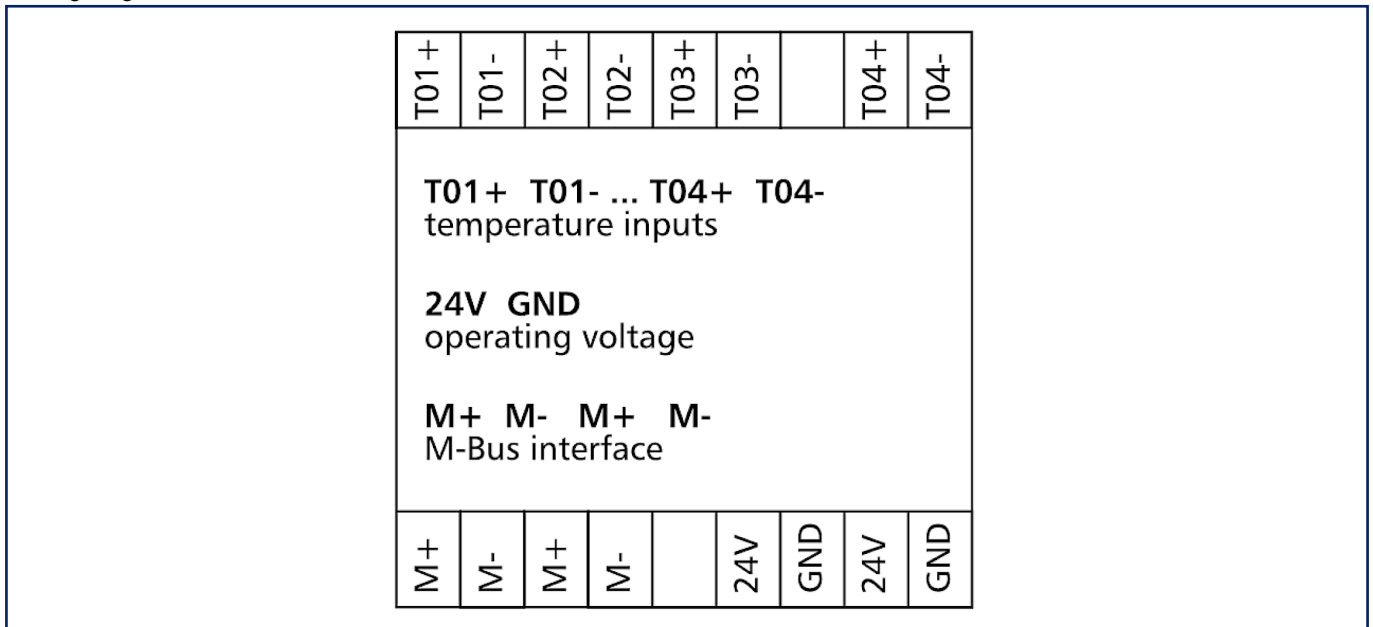


Illustrations

Dimensional drawing



Wiring diagram



Illustrations

Principle diagram

