

**Data sheet****OpDAT REGpro splice tray with shrink splice holder**

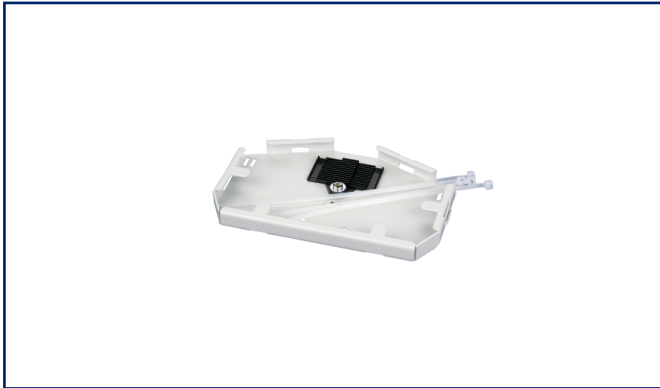
Page 1/5

P/N  
15024ASK-S

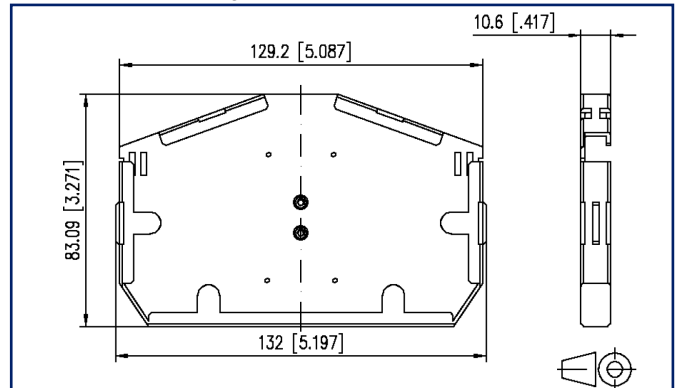
EAN 4250184149729

2022/11/10

Version: M

**Illustrations**

Dimensional drawing



See enlarged drawings at the end of document

**Product specification**

- splice tray for OpDAT REGpro or OpDAT REGpro24
- with splice holder for up to 12 crimp or shrink splice holder



# P | Cabling

Data sheet

Page 2/5

## OpDAT REGpro splice tray with shrink splice holder

P/N

15024ASK-S

EAN 4250184149729

2022/11/10

Version: M

### Technical Data

#### General Data

Fields of application	structured building cabling data center
Mechanical measurement according to MICE	M1
Ingress measurement according to MICE	I1
Climatic measurement according to MICE	C1
Electromagnetic measurement according to MICE	E3
Design	Splice tray
Color	light gray
Dimensions	
Dimension (L x W x H)	132 mm x 83.09 mm x 10.6 mm
Dimension (L x W x H)	5.197 in. x 3.271 in. x 0.417 in.

#### Materials and material properties

Material - Housing	steel
RoHS	compliant

#### Classifications

ETIM 5.0	EC001130
ETIM 6.0	EC000762
ETIM 7.0	EC000762
ETIM 8.0	EC000762

#### Packing details

Type of packaging	1 pc(s) / plastic bag
Packaging unit - Weight (gram)	128 g
Packaging unit - Weight (pound)	0.28 lb
Packaging dimension	160 mm x 100 mm x 380 mm
Packaging dimension	6.299 in. x 3.937 in. x 14.961 in.

# P | Cabling

Data sheet

Page 3/5

## OpDAT REGpro splice tray with shrink splice holder

P/N

15024ASK-S

EAN 4250184149729

2022/11/10

Version: M

### Accessories

P/N	Designation
15090301-I	OpDAT splice protection cover for 12 crimp splices
15090302-I	OpDAT splice protection cover for 6 shrink splices



# P | Cabling

Data sheet

Page 4/5

## OpDAT REGpro splice tray with shrink splice holder

P/N

15024ASK-S

EAN 4250184149729

2022/11/10

Version: M

### Accessories from

P/N	Designation
15024A10-24-E	OpDAT REGpro24 housing without splice tray
15024A10-E	OpDAT REGpro housing without splice tray



# P | Cabling

Data sheet

Page 5/5

## OpDAT REGpro splice tray with shrink splice holder

P/N  
15024ASK-S

EAN 4250184149729

2022/11/10

Version: M

### Illustrations

Dimensional drawing

