

Data sheet**Industry IP67 V5 metal plug housing**

Page 1/6

P/N

1401065000ME

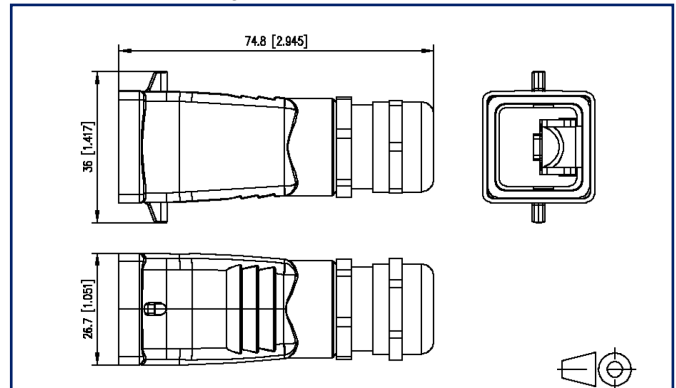
EAN 4250184116585

2023/06/19

Version: N

Illustrations

Dimensional drawing



See enlarged drawings at the end of document

Product specification

- plug housing with clamp lock acc. to ISO/IEC 24702 and IEC 61076-3-106 var. 5
- IP67 protected housing to hold Industry plug inserts
- increased diameter range of 10 mm for connection of cable jackets
- resistant to welding sputter
- industry-compatible metal housing with improved durability
- flammability class as per UL 94V-0
- improved resistance to chemical substances
- snap-on clip for color coding after assembly
- cable can be pushed through preassembled plug housing
- matching plug inserts: E-DAT Industry RJ45 field plug insert, E-DAT Industry RJ45 plug insert



Technical Data

General Data

Fields of application	harsh environment
Mechanical measurement according to MICE	M1
Ingress measurement according to MICE	I1
Climatic measurement according to MICE	C1
Electromagnetic measurement according to MICE	E3
Design	plug housing
Color	gray
Dimensions	
Dimension (L x W x H)	74.8 mm x 36 mm x 26.7 mm
Dimension (L x W x H)	2.945 in. x 1.417 in. x 1.051 in.
Labeling option	on housing
Marking option	by latching clip

Connections/interfaces

Number of ports interface 2	1
Number of ports interface 2 equipped	0
Protective housing interface 1	V5
Protective housing interface 2	V5
Cable sheath diameter (min. - max.)	
Cable sheath diameter	5 mm - 10.00
Cable sheath diameter	0.197 in. - 0.394
Module plug-in direction	straight
Cable access/outlet	180°

Materials and material properties

Material - Protective housing	die-cast aluminium
Material - Protective housing finish	powder-coated
Material - Protective housing seal	NBR (nitrile butadiene rubber)
Material - Flat seal	NBR (nitrile butadiene rubber)
Material - Cap nut	CuZnPb (brass)
Material - Cap nut finish	Ni (nickel)
Material - Protective housing screw(s)	stainless steel
Material - Washer	PA (polyamide)



P | Cabling

Data sheet

Page 3/6

Industry IP67 V5 metal plug housing

P/N

1401065000ME

EAN 4250184116585

2023/06/19

Version: N

Technical Data

Materials and material properties

RoHS compliant

Environmental conditions

Temperature (min. - max.)

Temperature - Storage °C -40 °C - 70 °C

Temperature - Storage °F -40 °F - 158 °F

Temperature - Operating °C -40 °C - 70 °C

Temperature - Operating °F -40 °F - 158 °F

Particulate ingress IP6X

Liquid ingress/immersion IPX7

Rapid change of temperature -40°C / -40°F - +70°C / +158°F / 25 cycles t=30min

Damp heat +25°C / +77°F / +65°C / 149°F / 93% RH // -10°C / 14°F / 21 cycles

Salt spray fog test (NSS Test) +35°C / +95 / 4 days 5% NaCL

Resistance to welding beads yes

Increased robustness yes

Increased chemical resistance yes

General information This product is suitable for use in industrial environments inside buildings with IPxy protection class according to DIN EN 60529 specified in this data sheet. Not specified for outdoor applications.

Approvals

UL listed (file no.)



DUXR.E178484

Standards/Regulations

Generic cabling systems

Industrial area ISO/IEC 24702

UL standard for Communications-Circuit Accessories UL 1863

Degrees of Protection Provided by Enclosures IEC 60529

Connectors for electronic equipment

Rectangular connectors DIN EN 61076-3-106

P | Cabling

Data sheet

Page 4/6

Industry IP67 V5 metal plug housing

P/N

1401065000ME

EAN 4250184116585

2023/06/19

Version: N

Technical Data

Classifications

ETIM 5.0	EC001121
ETIM 6.0	EC001121
ETIM 7.0	EC000437
ETIM 8.0	EC000437
ETIM 9.0	EC000437

Packing details

Type of packaging	10 pc(s) / box
Packaging unit - Weight (gram)	666 g
Packaging unit - Weight (pound)	1.47 lb
Packaging dimension	258 mm x 164 mm x 51 mm
Packaging dimension	10.157 in. x 6.457 in. x 2.008 in.



P | Cabling

Data sheet

Industry IP67 V5 metal plug housing

Page 5/6

P/N

1401065000ME

EAN 4250184116585

2023/06/19

Version: N

Accessories

P/N	Designation
1401068000MI	Industry IP67 V5 metal plug protective cap
1401400810-I	E-DAT Industry RJ45 field plug insert Cat.6 Class E _A
1401500810-I	E-DAT Industry RJ45 plug insert Cat.6 Class E _A



P | Cabling

Data sheet

Industry IP67 V5 metal plug housing

Page 6/6

P/N

1401065000ME

EAN 4250184116585

2023/06/19

Version: N

Illustrations

Dimensional drawing

