

Data sheet

Industry IP67 V1 metal plug housing bend protected

Page 1/6

P/N

1401025000ME

EAN 4250184116608

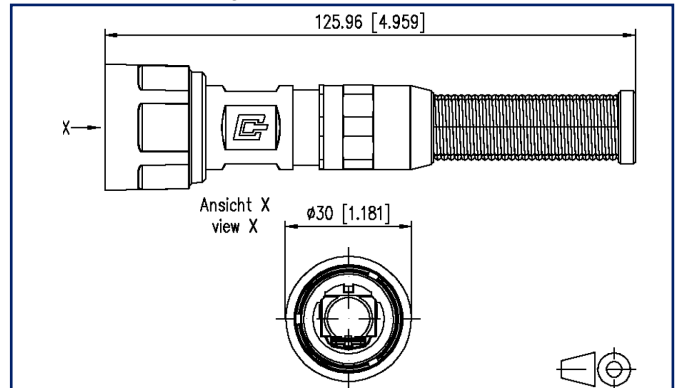
2023/06/19

Version: O

Illustrations



Dimensional drawing



See enlarged drawings at the end of document

Product specification

- plug housing with bayonet lock acc. to ISO/IEC 24702 and IEC 61076-3-106 var. 1
- IP67 protected housing to hold Industry plug inserts
- increased diameter range of 10 mm for connection of cable jackets
- resistant to welding sputter
- industry-compatible metal housing with improved durability
- flammability class as per UL 94V-0
- improved resistance to chemical substances
- labeling on plug housing
- snap-on clip for color coding after assembly
- cable can be pushed through preassembled plug housing
- matching plug inserts: E-DAT Industry RJ45 field plug insert, E-DAT Industry RJ45 plug insert, OpDAT Industry 2LC plug insert, OpDAT Industry 2SC plug insert
- variants: plug housing, bend-protected plug housing



Technical Data

General Data

Fields of application	harsh environment
Mechanical measurement according to MICE	M1
Ingress measurement according to MICE	I1
Climatic measurement according to MICE	C1
Electromagnetic measurement according to MICE	E3
Design	plug housing
Color	metallike
Dimensions	
Dimension (L x W x H)	126 mm x 30 mm x 30 mm
Dimension (L x W x H)	4.961 in. x 1.181 in. x 1.181 in.
Labeling option	on housing
Marking option	by latching clip

Connections/interfaces

Number of ports interface 2	1
Number of ports interface 2 equipped	0
Protective housing interface 1	V1
Protective housing interface 2	V1
Cable sheath diameter (min. - max.)	
Cable sheath diameter	5 mm - 10.00
Cable sheath diameter	0.197 in. - 0.394
Module plug-in direction	straight
Cable access/outlet	180°

Mechanical data

Locking method (protective housing)	Bayonet
Life - Number of mating cycles	min. 750
strain relief	PG gland



P | Cabling

Data sheet

Page 3/6

Industry IP67 V1 metal plug housing bend protected

P/N

1401025000ME

EAN 4250184116608

2023/06/19

Version: O

Technical Data

Materials and material properties

Material - Protective housing	GD-Zn (zinc die-cast)
Material - Protective housing finish	Ni (nickel)
Material - Flat seal	NBR (nitrile butadiene rubber)
Material - Cap nut	CuZnPb (brass)
RoHS	compliant

Environmental conditions

Temperature (min. - max.)	
Temperature - Storage °C	-40 °C - 70 °C
Temperature - Storage °F	-40 °F - 158 °F
Temperature - Operating °C	-40 °C - 70 °C
Temperature - Operating °F	-40 °F - 158 °F
Particulate ingress	IP6X
Liquid ingress/immersion	IPX7
Rapid change of temperature	-40°C / -40°F - +70°C / +158°F / 25 cycles t=30min
Damp heat	+25°C / +77°F / +65°C / 149°F / 93% RH // -10°C / 14°F / 21 cycles
Salt spray fog test (NSS Test)	+35°C / +95 / 4 days 5% NaCL
Resistance to welding beads	yes
Increased robustness	yes
Increased chemical resistance	yes
General information	This product is suitable for use in industrial environments inside buildings with IPxy protection class according to DIN EN 60529 specified in this data sheet. Not specified for outdoor applications.

Approvals

UL listed (file no.)



DUXR.E178484

Standards/Regulations

Generic cabling systems	
Industrial area	ISO/IEC 24702
UL standard for Communications-Circuit Accessories	UL 1863
Degrees of Protection Provided by Enclosures	IEC 60529



P | Cabling

Data sheet

Page 4/6

Industry IP67 V1 metal plug housing bend protected

P/N

1401025000ME

EAN 4250184116608

2023/06/19

Version: O

Technical Data

Standards/Regulations

Connectors for electronic equipment

Rectangular connectors	DIN EN 61076-3-106
------------------------	--------------------

Classifications

ETIM 5.0	EC001121
ETIM 6.0	EC000437
ETIM 7.0	EC000437
ETIM 8.0	EC000437
ETIM 9.0	EC000437

Packing details

Type of packaging	5 pc(s) / box
Packaging unit - Weight (gram)	706 g
Packaging unit - Weight (pound)	1.56 lb
Packaging dimension	258 mm x 164 mm x 51 mm
Packaging dimension	10.157 in. x 6.457 in. x 2.008 in.

Accessories

P/N	Designation
1401009001-I	""Industry color coding ring V1/V4/V14 orange""
1401009003-I	""Industry color coding ring V1/V4/V14 light grey""
1401009004-I	""Industry color coding ring V1/V4/V14 white""
1401009005-I	""Industry color coding ring V1/V4/V14 yellow""
1401009006-I	""Industry color coding ring V1/V4/V14 blue""
1401009007-I	""Industry color coding ring V1/V4/V14 green""
1401018002KI	Industry IP67 V1 plug protective cap
1401400810-I	E-DAT Industry RJ45 field plug insert Cat.6 Class E _A
1401500810-I	E-DAT Industry RJ45 plug insert Cat.6 Class E _A
1402500820-I	OpDAT Industry 2SC MM plug insert
1402500822-I	OpDAT Industry 2SC MM plug insert
1402600820-I	OpDAT Industry 2SC SM plug insert
1402600822-I	OpDAT Industry 2SC SM plug insert
1402700820-I	OpDAT Industry 2SC POF plug insert
1402700822-I	OpDAT Industry 2SC POF plug insert
1402800820-I	OpDAT Industry 2LC MM plug insert
1402900820-I	OpDAT Industry 2LC SM plug insert

© 2023 METZ CONNECT - Technische Änderungen vorbehalten! Subject to modifications! Sous réserve de modifications techniques!

P | Cabling

Data sheet

Page 6/6

Industry IP67 V1 metal plug housing bend protected

P/N

1401025000ME

EAN 4250184116608

2023/06/19

Version: O

Illustrations

Dimensional drawing

