

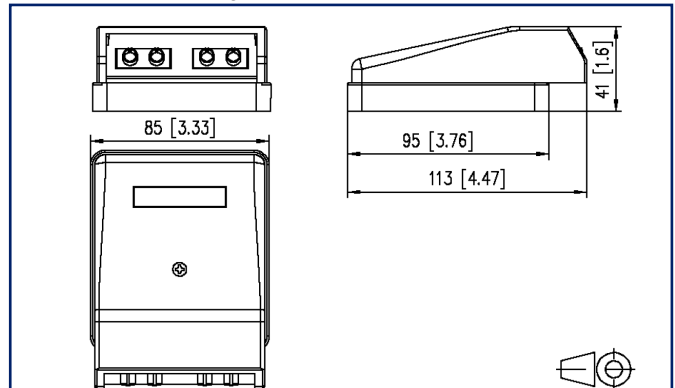
Data sheet

OpDAT 4 AP for 4xSC-S/LC-D/E2-S/ST

Illustrations



Dimensional drawing



See enlarged drawings at the end of document

Product specification

- fiber optic termination unit for mounting in cable duct / surface mounting with fiber optic adapters
- unequipped for simplex or duplex adapters
- bending radius of approx. 30 mm is met due to integrated cable reservoir
- plug direction 10° downwards
- strain relief with cable ties possible
- with label window for enclosed identification labels
- suitable for preassembled cables and on-site assembly of plugs
- for mini breakout cables
- cover parts in pure white RAL 9010

matching adapters:

simplex

4x LC-D (SC simplex design)

4x SC simplex

4x ST

4x E2000 simplex

duplex

4x FC (ST design)

2x LC-Q



P | Cabling

Data sheet

Page 2/4

OpDAT 4 AP for 4xSC-S/LC-D/E2-S/ST

P/N

1501120002-E

EAN 4250184107125

2023/05/15

Version: T

Illustrations

General Data

| | | |
|---|------------|--|
| Fields of application | 2x SC-D | office areas |
| Mechanical measurement according to MICE | 2x ST-D | M1 |
| Ingress measurement according to MICE | 2x SC-D/ST | I1 |
| Climatic measurement according to MICE | | C1 |
| Electromagnetic measurement according to MICE | | E3 |
| Design | | wall outlet |
| Mounting style | | AP |
| Color | | Pure white RAL 9010 |
| Dimensions | | |
| Dimension (L x W x H) | | 41 mm x 85 mm x 113 mm |
| Dimension (L x W x H) | | 1.614 in. x 3.346 in. x 4.449 in. |
| Labeling option | | label window with identification label |

Connections/interfaces

| | |
|--------------------------------------|---------------|
| Number of ports interface 2 | 4 |
| Number of ports interface 2 equipped | 0 |
| Module plug-in direction | 10° downwards |

Mechanical data

| | |
|---------------|-----------|
| strain relief | cable tie |
|---------------|-----------|

Materials and material properties

| | |
|--------------------------------|------------------|
| Material - Housing | Plastics |
| Material - Surface mount frame | ABS |
| Material - Cover part(s) | ABS |
| Material - Label window | ABS, transparent |
| Material - Dust protection | ABS |
| Halogen free | yes |
| RoHS | compliant |

Classifications

| | |
|----------|----------|
| ETIM 5.0 | EC001409 |
| ETIM 6.0 | EC001409 |
| ETIM 7.0 | EC001409 |
| ETIM 8.0 | EC001409 |

P | Cabling

Data sheet

Page 3/4

OpDAT 4 AP for 4xSC-S/LC-D/E2-S/ST

P/N

1501120002-E

EAN 4250184107125

2023/05/15

Version: T

Technical Data

Classifications

ETIM 9.0 EC001409

Packing details

| | |
|---------------------------------|-----------------------------------|
| Type of packaging | 1 pc(s) / box |
| Packaging unit - Weight (gram) | 141 g |
| Packaging unit - Weight (pound) | 0.31 lb |
| Packaging dimension | 86 mm x 44 mm x 141.5 mm |
| Packaging dimension | 3.386 in. x 1.732 in. x 5.571 in. |

P | Cabling

Data sheet

OpDAT 4 AP for 4xSC-S/LC-D/E2-S/ST

Page 4/4

P/N

1501120002-E

EAN 4250184107125

2023/05/15

Version: T

Illustrations

Dimensional drawing

