

Data sheet

Subway underfloor unit GB3 Modul 3 port unequipped pearl white

Page 1/5

P/N

1309360301-E

EAN 4250184106371

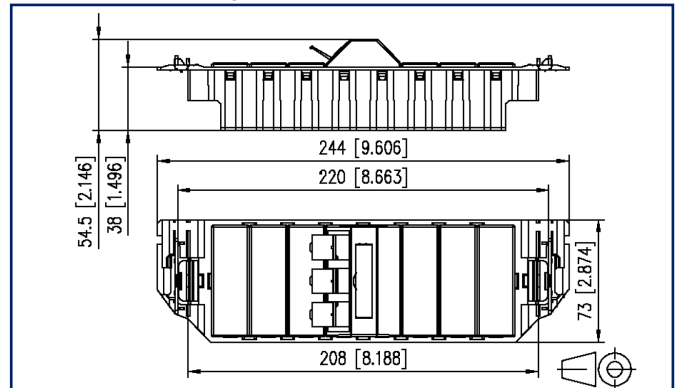
2023/04/11

Version: P

Illustrations



Dimensional drawing



See enlarged drawings at the end of document

Product specification

- termination unit for mounting in service outlets for underfloor systems
- suitable for underfloor service outlets of OBO Bettermann (Ackermann) and some types of :hager (Electraplan Solutions)
- GB3 design
- incl. module frame, caps and dummy covers
- module plug direction 45° upwards
- with label window for enclosed identification labels
- label sheet 209 x 294 mm see accessories
- integrated dust protection covers (also colored)
- color: black device casing, pearl white covers
- variants: 3 ports, 6 ports, 9 ports, 12 ports



P | Cabling

Data sheet

Page 2/5

Subway underfloor unit GB3 Modul 3 port unequipped pearl white

P/N

1309360301-E

EAN 4250184106371

2023/04/11

Version: P

Technical Data

General Data

Fields of application	office areas
Mechanical measurement according to MICE	M1
Ingress measurement according to MICE	I1
Climatic measurement according to MICE	C1
Electromagnetic measurement according to MICE	E3
Design	wall outlet
Mounting style	GB3
Color	pearl white RAL 1013
Dimensions	
Dimension (L x W x H)	54.5 mm x 73 mm x 244 mm
Dimension (L x W x H)	2.146 in. x 2.874 in. x 9.606 in.
Labeling option	label window with identification label
Marking option	by dust protection

Connections/interfaces

Number of ports interface 2	3
Number of ports interface 2 equipped	0
Number of ports with dust protection interface 2	3
Module plug-in direction	45° upwards

Mechanical data

Cut-out	module
---------	--------

Materials and material properties

Material - Supporting frame	GD-Zn (zinc die-cast)
Material - Cover part(s)	ABS
Material - Label window	ABS, transparent
Material - Dust protection	ABS
Halogen free	yes
RoHS	compliant



P | Cabling

Data sheet

Page 3/5

Subway underfloor unit GB3 Modul 3 port unequipped pearl white

P/N

1309360301-E

EAN 4250184106371

2023/04/11

Version: P

Technical Data

Approvals

UL listed (file no.)



DUXR.E178484

Classifications

ETIM 5.0	EC001264
ETIM 6.0	EC001264
ETIM 7.0	EC001264
ETIM 8.0	EC001264
ETIM 9.0	EC001264

Packing details

Type of packaging	1 pc(s) / plastic bag
Packaging unit - Weight (gram)	210 g
Packaging unit - Weight (pound)	0.46 lb
Packaging dimension	160 mm x 100 mm x 380 mm
Packaging dimension	6.299 in. x 3.937 in. x 14.961 in.

P | Cabling

Data sheet

Page 4/5

Subway underfloor unit GB3 Modul 3 port unequipped pearl white

P/N

1309360301-E

EAN 4250184106371

2023/04/11

Version: P

Accessories

P/N	Designation
130910-I	E-DAT modul Cat.6 _A 8(8) jack, T568A
130910-I-B1	E-DAT modul Cat.6 _A 8(8) jack, T568B
130910-Z	E-DAT modul Cat.6 _A 8(8) jack, T568A (12 pcs)
1309310099-I	GB fastening kit PUK
1309320001-I	Subway blind cover
1309320301-E	Subway 3 port cover
1309330300-E	Subway 3 port module frame
1309380101-I	Subway DIN device frame
13093EP3-E	Subway underfloor unit GBV3D unequipped
13093EPAK3-E	Mounting plate for GBV 3 x Keystone cut-out
13093EPAM3-E	Mounting plate for GBV 4 x module cut-out
1309A0-I	E-DAT modul coupler 8(8) 180° class E _A
130B11-E	C6 _A modul 180° jack
816979-0103-I	Dust protection covers for Modul patch panels subway / REG gray
816979-0105-I	Dust protection covers for Modul patch panels subway / REG yellow
816979-0106-I	Dust protection covers for Modul patch panels subway / REG blue
816979-0107-I	Dust protection covers for Modul patch panels subway / REG green
816979-0108-I	Dust protection covers for Modul patch panels subway / REG red
899650-01	Label sheet for wall outlets



P | Cabling

Data sheet

Subway underfloor unit GB3 Modul 3 port unequipped pearl white

Page 5/5

P/N

1309360301-E

EAN 4250184106371

2023/04/11

Version: P

Illustrations

Dimensional drawing

