

Data sheet

Subway underfloor unit GB2 unequipped black

Page 1/5

P/N

1309300001-E

EAN 4250184106227

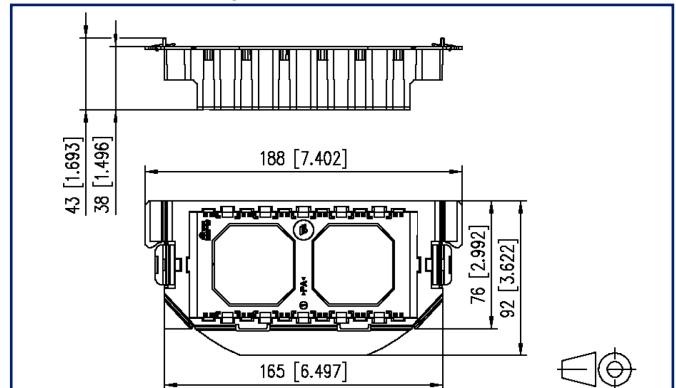
2023/04/11

Version: N

Illustrations



Dimensional drawing



See enlarged drawings at the end of document

Product specification

- E-DAT subway termination unit for installing in devices for underfloor systems
- suitable for underfloor service outlets of OBO Bettermann (Ackermann) and some types of :hager (Electraplan Solutions)
- GB2 design for up to 9 individual modules in Modul design



P | Cabling

Data sheet

Page 2/5

Subway underfloor unit GB2 unequipped black

P/N

1309300001-E

EAN 4250184106227

2023/04/11

Version: N

Technical Data

General Data

Fields of application	office areas
Mechanical measurement according to MICE	M1
Ingress measurement according to MICE	I1
Climatic measurement according to MICE	C1
Electromagnetic measurement according to MICE	E3
Design	wall outlet
Mounting style	GB2
Color	black
Dimensions	
Dimension (L x W x H)	43 mm x 76 mm x 188 mm
Dimension (L x W x H)	1.693 in. x 2.992 in. x 7.402 in.

Connections/interfaces

Number of ports interface 2	9
Number of ports interface 2 equipped	0

Materials and material properties

Halogen free	yes
RoHS	compliant

Approvals

UL listed (file no.)		DUXR.E178484
----------------------	--	--------------

Classifications

ETIM 5.0	EC001264
ETIM 6.0	EC001264
ETIM 7.0	EC001264
ETIM 8.0	EC001264
ETIM 9.0	EC001264

P | Cabling

Data sheet

Page 3/5

Subway underfloor unit GB2 unequipped black

P/N

1309300001-E

EAN 4250184106227

2023/04/11

Version: N

Technical Data

Packing details

Type of packaging	1 pc(s) / plastic bag
Packaging unit - Weight (gram)	100 g
Packaging unit - Weight (pound)	0.22 lb
Packaging dimension	160 mm x 100 mm x 380 mm
Packaging dimension	6.299 in. x 3.937 in. x 14.961 in.

P | Cabling

Data sheet

Page 4/5

Subway underfloor unit GB2 unequipped black

P/N

1309300001-E

EAN 4250184106227

2023/04/11

Version: N

Accessories

P/N	Designation
1309310099-I	GB fastening kit PUK
1309320001-I	Subway blind cover
1309320301-E	Subway 3 port cover
1309330300-E	Subway 3 port module frame
1309380101-I	Subway DIN device frame



P | Cabling

Data sheet

Page 5/5

Subway underfloor unit GB2 unequipped black

P/N

1309300001-E

EAN 4250184106227

2023/04/11

Version: N

Illustrations

Dimensional drawing

