

Data sheet**Keystone wall outlet US-style 2 port unequipped**

Page 1/4

P/N

1309152402KE

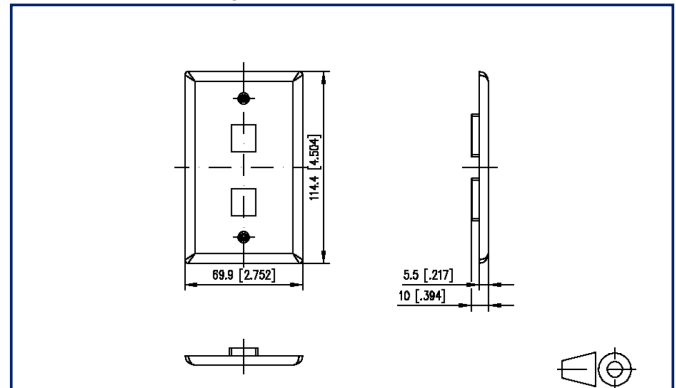
EAN 4250184140863

2023/05/30

Version: U

Illustrations

Dimensional drawing



See enlarged drawings at the end of document

Product specification

- flush-mounted termination unit for individual Keystone modules
- US style 70 x 115mm
- straight plug direction
- strain relief on module
- cover parts in color similar to pure white RAL 9010, glossy surface

- variants: 1 port, 2 port, 3 port, 4 port, 6 port



P | Cabling

Data sheet

Page 2/4

Keystone wall outlet US-style 2 port unequipped

P/N

1309152402KE

EAN 4250184140863

2023/05/30

Version: U

Technical Data

General Data

Fields of application	office areas
Mechanical measurement according to MICE	M1
Ingress measurement according to MICE	I1
Climatic measurement according to MICE	C1
Electromagnetic measurement according to MICE	E3
Design	wall outlet
Mounting style	UP
Color	white
Dimensions	
Dimension (L x W x H)	69.8 mm x 10 mm x 114.4 mm
Dimension (L x W x H)	2.748 in. x 0.394 in. x 4.504 in.

Connections/interfaces

Number of ports interface 1	1
Number of ports interface 2	2
Module plug-in direction	straight

Mechanical data

strain relief	attached to module
---------------	--------------------

Materials and material properties

Halogen free	yes
RoHS	compliant

Approvals

UL listed (file no.)		DUXR.E178484
----------------------	--	--------------

Classifications

ETIM 5.0	EC001264
ETIM 6.0	EC001264
ETIM 7.0	EC001264
ETIM 8.0	EC001264
ETIM 9.0	EC001264

P | Cabling

Data sheet

Page 3/4

Keystone wall outlet US-style 2 port unequipped

P/N

1309152402KE

EAN 4250184140863

2023/05/30

Version: U

Technical Data

Packing details

Type of packaging	1 pc(s) / plastic bag
Packaging unit - Weight (gram)	34 g
Packaging unit - Weight (pound)	0.07 lb
Packaging dimension	160 mm x 100 mm x 380 mm
Packaging dimension	6.299 in. x 3.937 in. x 14.961 in.

P | Cabling

Data sheet

Page 4/4

Keystone wall outlet US-style 2 port unequipped

P/N

1309152402KE

EAN 4250184140863

2023/05/30

Version: U

Illustrations

Dimensional drawing

