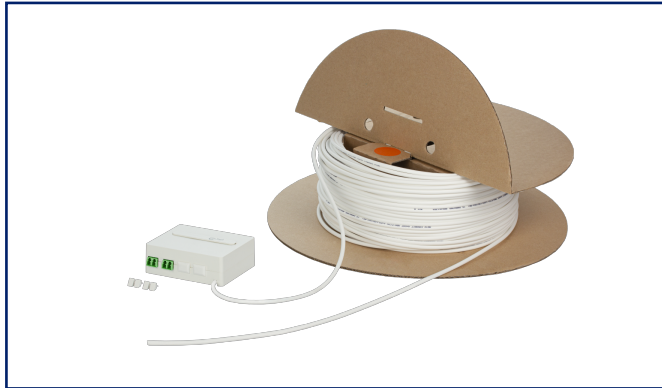


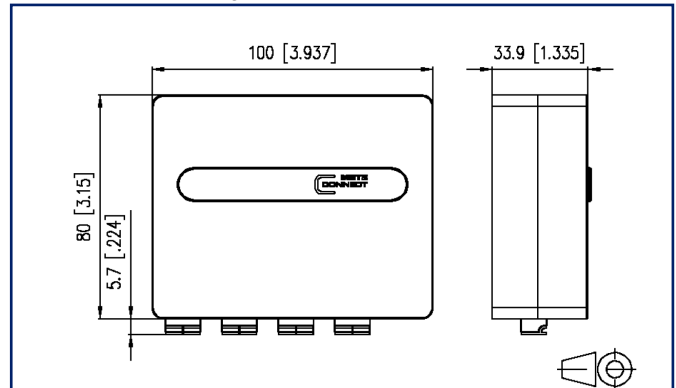
Data sheet

OpDAT VADT splice 4xLC APC OS2

Illustrations



Dimensional drawing



See enlarged drawings at the end of document

Product specification

- compact fiber optic termination unit for flush mounted outlets or cavity wall boxes
- Box ready for installation, pre-terminated with singlemode indoor cable and equipped with adapters including laser protection for the connection of up to four fiber optic patch cables.
- The second cable end is open to be inserted, pulled in or blown into empty tubes. Suitable for splicing or for mounting field attachable fiber optic connectors (OpDAT FAST® Hybrid).
- cable easy to mount on carton drum
- Two cable types available:
 - Mini Breakout Cable Compact, white, Ø 4.5 mm
 - FITH cable, white, Ø 2.3 mm
- single mode fiber OS2, E9/125 µm, bend insensitive according to ITU-T G.657.A, compatible to G.652.D
- supplied with fixing material
- color box pure white (similar to RAL 9010)
- cable lengths: 5 to 100 m in 5 m steps
- (replace XX in the part number by the length, for example 05=5 m, A0=100 m)
- all available variants can be created with the VADT configurator



P | Cabling

Data sheet

Page 2/5

OpDAT VADT splice 4xLC APC OS2

P/N
150C049HK00XXE

2023/04/17

Version: F

Technical Data

General Data

| | |
|---|--|
| Mechanical measurement according to MICE | M1 |
| Ingress measurement according to MICE | I1 |
| Climatic measurement according to MICE | C1 |
| Electromagnetic measurement according to MICE | E3 |
| Design | wall outlet |
| Mounting style | AP |
| Transmission technology | Fiber optic |
| Color | white |
| Dimensions | |
| Dimension (L x W x H) | 85 mm x 100 mm x 35 mm |
| Dimension (L x W x H) | 3.346 in. x 3.937 in. x 1.378 in. |
| Mode type of the fiber | Singlemode |
| Fiber class | OS2: IEC 60793-2-50 B6_a, B6_b & ITU-T G.657.A2, G.657.B2, G.652.D |
| Shape | APC (Angled Physical Contact) |
| Fiber construction | 9/125 µm |

Transmission characteristics

| | |
|-------|--------------|
| 4PPoE | IEEE 802.3bt |
|-------|--------------|

Connections/interfaces

| | |
|--|--------|
| Connector technology interface 1 | LC APC |
| Number of ports interface 1 | 4 |
| Number of equipped ports interface 1 | 4 |
| Number of ports with dust protection interface 1 | 4 |
| Number of blind | 2 |
| Cable sheath diameter (min. - max.) | |
| Cable sheath diameter | 4.50 |
| Cable sheath diameter | 0.177 |

Technical Data

Elektrische/ Optische Eigenschaften

| | |
|----------------|-------------|
| Insertion loss | max. 0,3 dB |
| Return loss | min. 65 dB |

Mechanical data

| | |
|---------------|----------------|
| strain relief | aramide fibres |
|---------------|----------------|

Materials and material properties

| | |
|----------------------------|------------------|
| Material - Housing | Plastics |
| Material - Coupler housing | Plastics |
| Material - Sleeve | ceramic, slotted |
| Flame retardancy | yes |
| Halogen free | yes |
| Metal-free | yes |
| RoHS | compliant |

Standards/Regulations

| | |
|--|--|
| Generic cabling systems | |
| General requirements | ISO/IEC 11801-1 |
| Lichtwellenleiter: LWL-Innenkabel | |
| Sectional specification for class B single-mode fibres | ISO/IEC 60793-2-50 type B.1.3 & B6_a |
| Optical fibers - Interconnecting devices and passive components - basic test and measuring methods | |
| Fibre optic interconnecting devices and passive components | IEC 61300-3-4 |
| Fibre optic interconnecting devices and passive components | IEC 61300-3-6 |
| Fibre optic interconnecting devices and passive components | IEC 61300-3-35 |
| ITU-T standard | ITU-T G.657.A1 compatible with ITU-T G.652.D |

Classifications

| | |
|----------|----------|
| ETIM 7.0 | EC001409 |
| ETIM 8.0 | EC001409 |

P | Cabling

Data sheet

OpDAT VADT splice 4xLC APC OS2

Page 4/5

P/N
150C049HK00XXE

2023/04/17
Version: F

Technical Data

Packing details

| | |
|-------------------|---------------|
| Type of packaging | 1 pc(s) / box |
|-------------------|---------------|

P | Cabling

Data sheet

OpDAT VADT splice 4xLC APC OS2

Page 5/5

P/N
150C049HK00XXE

2023/04/17
Version: F

Illustrations

Dimensional drawing

