

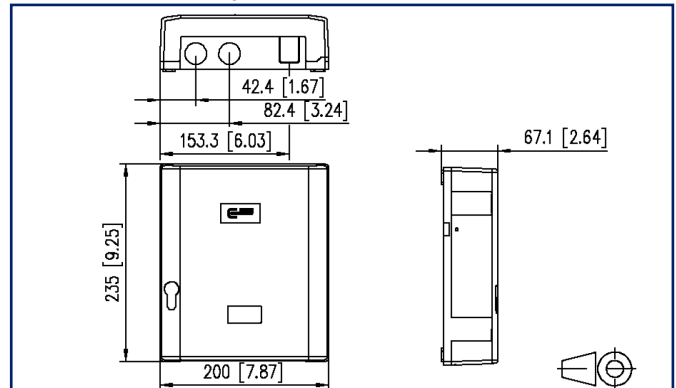
Data sheet

OpDAT HPS with lock, unequipped

Illustrations



Dimensional drawing



See enlarged drawings at the end of document

Product specification

- Unequipped fiber optic splice and distributor housing
- Modular adapter plate with cutouts suitable for: 9x LC-D, 9x SC-S, 9x E2000-S, 6x SC-D, 6x LC-Q, 6xE2000-D
- Cover locking by locking latch, can be sealed
- Cover can be very easily removed to facilitate mounting
- Splice tray for easy mounting with a maximum of protection for the fibers. With place to store fiber excess lengths
- Strain relief for cables and patch cords
- Patch cord output with flexible lamellar seal
- Cable entry prepared with 2x M20, 2x M25 cable glands
- Possibility to fasten optical adapters
- Structured ASA (acrylic ester-styrene-acrylonitrile) in RAL 7035, extremely resistant plastic material, impact resistant and weatherproof
- Protection class according to IEC 60529: IP54 protected
- Variants: with or without lock



P | Cabling

Data sheet

Page 2/3

OpDAT HPS with lock, unequipped

P/N

1503500000-F

EAN 4251122198816

2023/04/17

Version: H

Technical Data

General Data

Mechanical measurement according to MICE	M1
Ingress measurement according to MICE	I1
Climatic measurement according to MICE	C1
Electromagnetic measurement according to MICE	E3
Design	AP
Transmission technology	Fiber optic
Color	light gray
Dimensions	
Dimension (L x W x H)	67.1 mm x 200 mm x 235 mm
Dimension (L x W x H)	2.642 in. x 7.874 in. x 9.252 in.

Transmission characteristics

4PPoE	IEEE 802.3bt
-------	--------------

Materials and material properties

RoHS	compliant
------	-----------

Environmental conditions

Particulate ingress	IP5X
Liquid ingress/immersion	IPX4

Standards/Regulations

Degrees of Protection Provided by Enclosures	IEC 60529
----------------------------------------------	-----------

Classifications

ETIM 7.0	EC000058
ETIM 8.0	EC000058
ETIM 9.0	EC000058

Packing details

Type of packaging	1 pc(s) / box
Packaging dimension	265 mm x 215 mm x 80 mm
Packaging dimension	10.433 in. x 8.465 in. x 3.15 in.

P | Cabling

Data sheet

OpDAT HPS with lock, unequipped

Page 3/3

P/N

1503500000-F

EAN 4251122198816

2023/04/17

Version: H

Illustrations

Dimensional drawing

