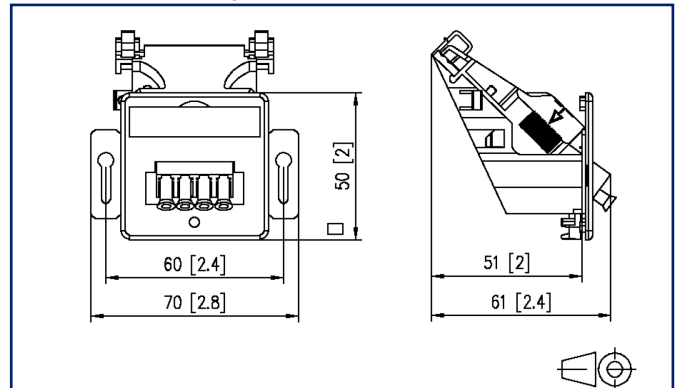


Illustrations



Dimensional drawing



See enlarged drawings at the end of document

Product specification

- fiber optic wall outlet for wall conduits with adapters
- equipped with 1xQ-LC, 1xSC-D or 1xST-D
- outlet direction 45° downwards
- for fiber optic adapters with flange fastening (no clips)
- strain-free, protected positioning of the fiber optic plugs in the interior of the cable duct
- strain relief using cable ties
- central piece 50 x 50 mm to DIN 41075 part 1:1989
- label window for enclosed identification labels
- bending radii > 20 mm for fiber optic cables are met in combination with mounting bracket
- suitable for preassembled cables and on-site assembly of plugs
- standard color: pure white RAL 9010
- variants: 1xQ-LC, 1xSC-D or 1xST-D



P | Cabling

Data sheet

OpDAT 2 Ek SC-D MM

Page 2/5

P/N

150120C202-E

EAN 4250184111610

2023/04/17

Version: X

Technical Data

General Data

Fields of application	office areas
Mechanical measurement according to MICE	M1
Ingress measurement according to MICE	I1
Climatic measurement according to MICE	C1
Electromagnetic measurement according to MICE	E3
Design	wall outlet
Mounting style	conduit mount
Transmission technology	Fiber optic
Color	Pure white RAL 9010
Dimensions	
Dimension (L x W x H)	61 mm x 70 mm x 50 mm
Dimension (L x W x H)	2.402 in. x 2.756 in. x 1.969 in.
Mode type of the fiber	Multimode
Labeling option	label window with identification label

Transmission characteristics

4PPoE	IEEE 802.3bt
-------	--------------

Connections/interfaces

Connector technology interface 1	SC-D
Connector technology interface 2	SC-D
Number of ports interface 1	1
Number of ports interface 2	1
Number of equipped ports interface 1	1
Number of ports interface 2 equipped	1
Number of ports with dust protection interface 1	1
Number of ports with dust protection interface 2	1
Module plug-in direction	45° downwards

P | Cabling

Data sheet

OpDAT 2 Ek SC-D MM

Page 3/5

P/N

150120C202-E

EAN 4250184111610

2023/04/17

Version: X

Technical Data

Mechanical data

Cut-out	SC-D, LC-Q, ST-D
Connector type	duplex
strain relief	cable tie

Materials and material properties

Material - Housing	Plastics
Material - Cover part(s)	ABS
Material - Supporting frame	PBT (polybutylene terephthalate)
Material - Guide cover	ABS
Material - Label window	ABS, transparent
Material - Sleeve	ceramic, slotted
RoHS	compliant

Standards/Regulations

Cover plates for installation devices 1	DIN 49075-1:1989-10
-----------------------------------------	---------------------

Classifications

ETIM 5.0	EC001409
ETIM 6.0	EC001409
ETIM 7.0	EC001409
ETIM 8.0	EC001409
ETIM 9.0	EC001409

Packing details

Type of packaging	1 pc(s) / box
Packaging unit - Weight (gram)	102 g
Packaging unit - Weight (pound)	0.22 lb
Packaging dimension	106 mm x 50 mm x 77 mm
Packaging dimension	4.173 in. x 1.969 in. x 3.031 in.

P | Cabling

Data sheet OpDAT 2 Ek SC-D MM

Page 4/5

P/N
150120C202-E
EAN 4250184111610
2023/04/17
Version: X

Accessories

P/N	Designation
1308895010-I	T-Slot mounting bracket for wall outlets - horizontal mounting 50 mm, without separation cup
1308895011-I	T-Slot mounting bracket for wall outlets - horizontal mounting 50 mm, with separation cup
1308895020-I	DIN Rail mounting bracket for wall outlets - horizontal mounting 50 mm, without separation cup
1308895021-I	DIN Rail mounting bracket for wall outlets - horizontal mounting 50 mm, with separation cup
1308895040-I	T-Slot mounting bracket for wall outlets - vertical mounting 50 mm, without separation cup
1308895041-I	T-Slot mounting bracket for wall outlets - vertical mounting 50 mm, with separation cup
1308895220-I	DIN rail mounting bracket for wall outlets - horizontal mounting 52 mm, without separation cup
1308895221-I	DIN rail mounting bracket for wall outlets - horizontal mounting 52 mm, with separation cup
1308895510-I	T-Slot mounting bracket for wall outlets - horizontal mounting 55 mm, without separation cup
1308895511-I	T-Slot mounting bracket for wall outlets - horizontal mounting 55 mm, with separation cup
1308895520-I	DIN rail mounting bracket for wall outlets - horizontal mounting 55 mm, without separation cup
1308895521-I	DIN rail mounting bracket for wall outlets - horizontal mounting 55 mm, with separation cup
1308895540-I	T-Slot mounting bracket for wall outlets - vertical mounting 55 mm, without separation cup
1308895541-I	T-Slot mounting bracket for wall outlets - vertical mounting 55 mm, with separation cup
130889ADTK-I	Mounting bracket ADTK for OBO
130889ADTSA-I	Mounting bracket ADTSA for OBO
130889FKH-I	Mounting bracket FR for Kleinhuis
130889FNI-I	Mounting bracket FR for Niedax
130889FTE-I	Mounting bracket FR for Tehalit
820395-0102-I	Cover plate 80 x 80 mm, pure white, module
899650-01	Label sheet for wall outlets

P | Cabling

Data sheet

OpDAT 2 Ek SC-D MM

Page 5/5

P/N

150120C202-E

EAN 4250184111610

2023/04/17

Version: X

Illustrations

Dimensional drawing

