

## Data sheet

### OpDAT flush mounted trunking installation 1xLC-D SM APC (ceramic) pure white

Page 1/4

P/N

1501207K1K-E

EAN 4250184180098

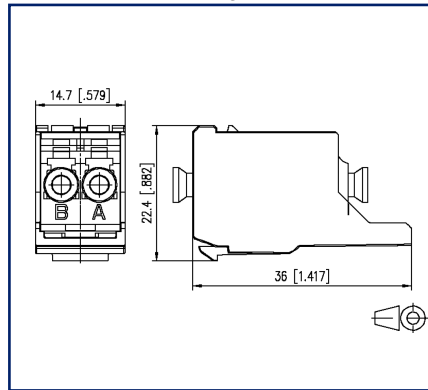
2023/04/24

Version: P

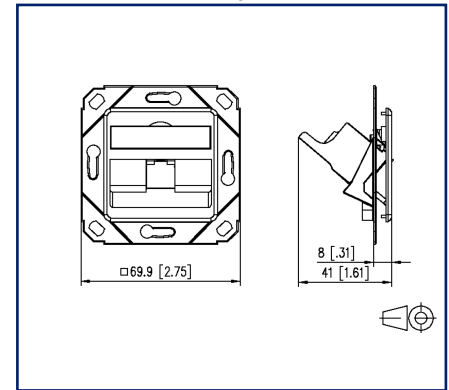
## Illustrations



Dimensional drawing



Dimensional drawing



See enlarged drawings at the end of document

## Product specification

- raceway termination unit
- equipped with OpDAT modul LC-D SM APC adapter (green) with adapter
- slotted ceramic sleeve
- service life min. 1000 mating cycles
- module plug direction 45° downwards
- strain relief of the Kevlar by screw at the module frame
- velcro tape to bundle the fiber reserve
- with label window for enclosed identification labels
- label sheet 209 x 294 mm see accessories
- integrated dust protection covers (also colored)
- cover parts in pure white RAL 9010, surface with matt finish
- compatible with design central units of switch lines

# P | Cabling

Data sheet

Page 2/4

## OpDAT flush mounted trunking installation 1xLC-D SM APC (ceramic) pure white

P/N

1501207K1K-E

EAN 4250184180098

2023/04/24

Version: P

### Technical Data

#### General Data

Fields of application	office areas
Mechanical measurement according to MICE	M1
Ingress measurement according to MICE	I1
Climatic measurement according to MICE	C1
Electromagnetic measurement according to MICE	E3
Design	wall outlet
Mounting style	UPk
Transmission technology	Fiber optic
Color	Pure white RAL 9010
Dimensions	
Dimension (L x W x H)	51 mm x 85.6 mm x 85.6 mm
Dimension (L x W x H)	2.008 in. x 3.37 in. x 3.37 in.
Modularity	yes
Mode type of the fiber	Singlemode
Labeling option	label window with identification label

#### Transmission characteristics

4PPoE	IEEE 802.3bt
-------	--------------

#### Connections/interfaces

Connector technology interface 1	LC-D
Connector technology interface 2	LC-D
Number of ports interface 1	1
Number of ports interface 2	1
Number of equipped ports interface 1	1
Number of ports interface 2 equipped	1
Module plug-in direction	45° downwards

#### Mechanical data

Cut-out	module
Life - Number of mating cycles	min. 1000
Position/mounting of latch standard installation position	top

# P | Cabling

Data sheet

Page 3/4

## OpDAT flush mounted trunking installation 1xLC-D SM APC (ceramic) pure white

P/N

1501207K1K-E

EAN 4250184180098

2023/04/24

Version: P

### Technical Data

#### Materials and material properties

Material - Surface mount frame	ABS, impact resistant
Material - Cover part(s)	ABS
Material - Supporting frame	GD-Zn (zinc die-cast)
Material - Label window	ABS, transparent
Material - Dust protection	ABS
Material - Coupler housing	Plastics
Material - Sleeve	ceramic, slotted
RoHS	compliant

#### Classifications

ETIM 7.0	EC001409
ETIM 8.0	EC001409
ETIM 9.0	EC001409

#### Packing details

Type of packaging	1 pc(s) / box
Packaging dimension	133 mm x 95 mm x 52 mm
Packaging dimension	5.236 in. x 3.74 in. x 2.047 in.



# P | Cabling

Data sheet

Page 4/4

## OpDAT flush mounted trunking installation 1xLC-D SM APC (ceramic) pure white

P/N

1501207K1K-E

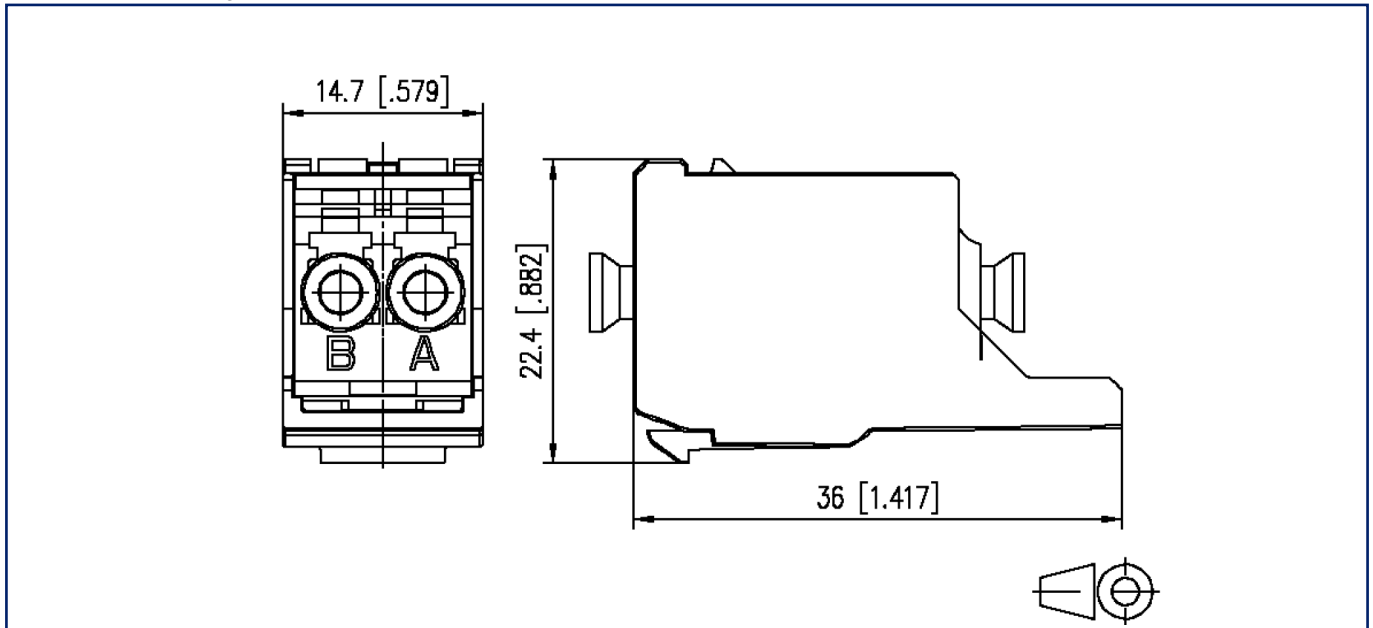
EAN 4250184180098

2023/04/24

Version: P

### Illustrations

Dimensional drawing



Dimensional drawing

