

# Data sheet

## ST029xxHDNC AST029

P/N  
AST029xx

xx=number of poles

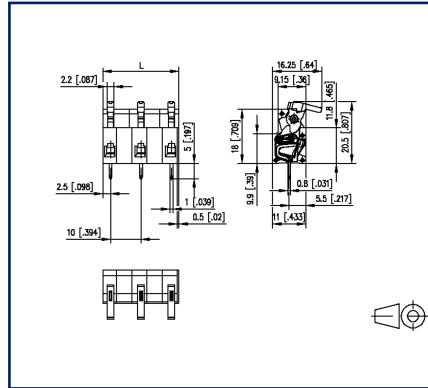
2023/07/03

Version: V

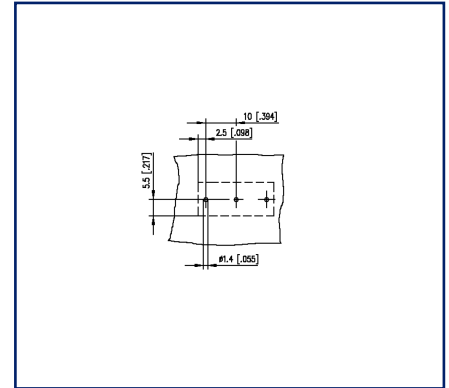
### Illustrations



Dimensional drawing



Drill pattern



See enlarged drawings at the end of document

### Product specification

- spring clamp terminal block, solderable
- centerline 10.00 mm, direction of connection 90°
- fittable without loss of poles
- color gray



## Technical Data



### General Data

Solder pin length	5 mm		
min. number of poles	2		
max. number of poles	12		
Insulating material class	CTI 400		
clearance/creepage dist.	9 mm		
Protection category	IP20		
Min. insul. strip length	6 mm		
Rated current	15 A		
Overvoltage category	III	III	II
Pollution degree	3	2	2
Rated voltage	32 V	200 V	200 V
Rated test voltage	1.5 kV	1.5 kV	1.5 kV

### Terminal data

rat.wiring solid AWGmax	0.2 mm <sup>2</sup> - 2 mm <sup>2</sup> / AWG 28 - AWG 14		
rat.wiring strand.AWGmax	0.2 mm <sup>2</sup> - 2 mm <sup>2</sup> / AWG 28 - AWG 14		

### Approvals

 V / A / AWG	300 / 13 / 28 - 14		
approval UL - File No.	E121004		
 1 mm <sup>2</sup>	800 V / 13.5 A / T60		

### Material

insulating material	PA46
flammability class	V0
spring material	Spring steel
contact material	CuSn
Contact surface	Ni + Sn
Glow-Wire Flammability GWFI	-
Glow-Wire Flammability GWIT	-

### Climatic Data

upper limit temperature	105 °C
lower limit temperature	-40 °C

# U | Contact

Data sheet  
**ST029xxHDNC AST029**

Page 3/5

P/N  
**AST029xx**  
**xx=number of poles**  
2023/07/03  
Version: V

## Technical Data

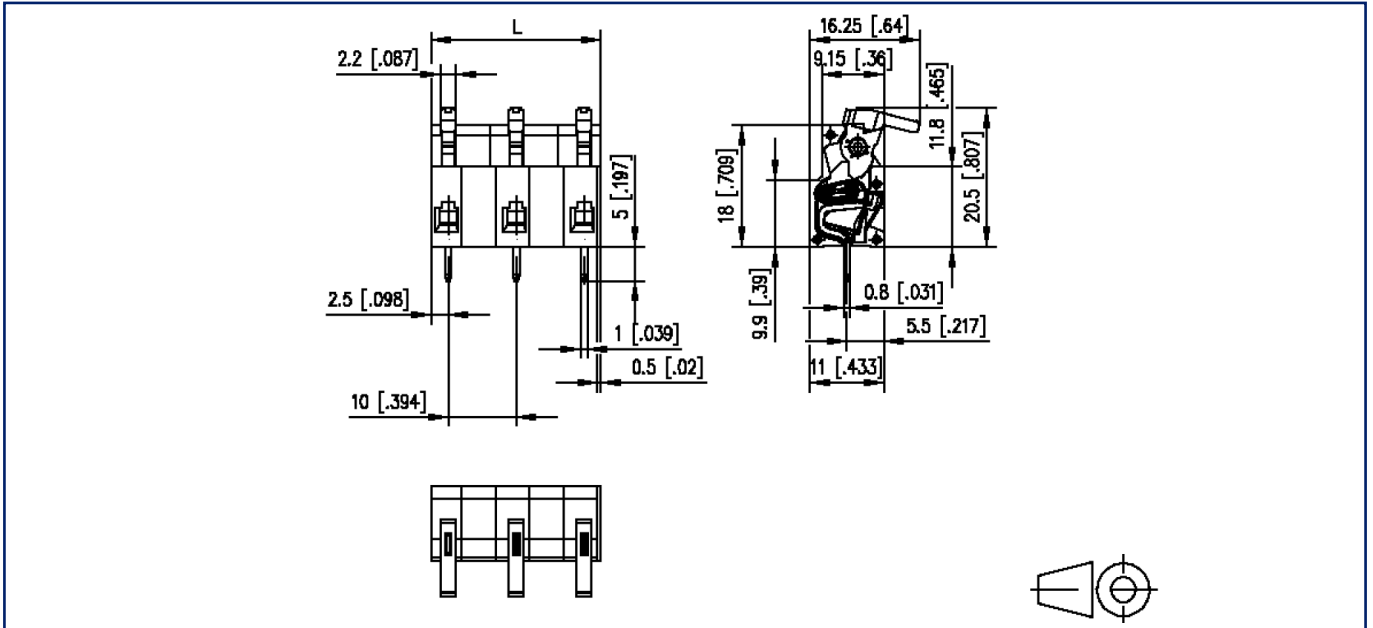
### general

Tolerance	ISO 2768 -mH
Solderability	Acc. to JEDEC JESD22-B102E 245°C/5s



## Illustrations

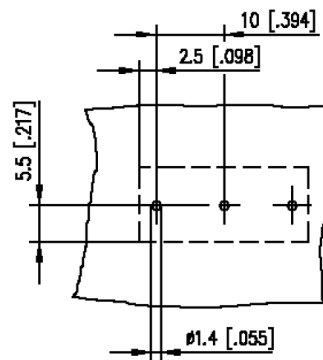
Dimensional drawing



$L = (\text{pole size} - 1) \times \text{centerline} + 5 \text{ mm } [0.197]$

**Illustrations**

Drill pattern



© 2023 METZ CONNECT - Technische Änderungen vorbehalten! Subject to modifications! Sous réserve de modifications techniques!