

Data sheet

SP051xxVGNN ASP051

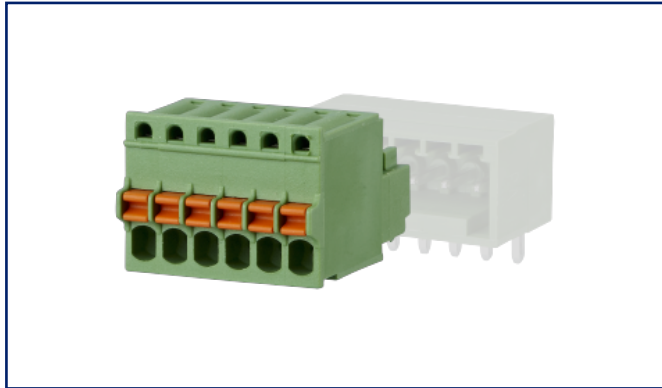
P/N
ASP051xx

xx=number of poles

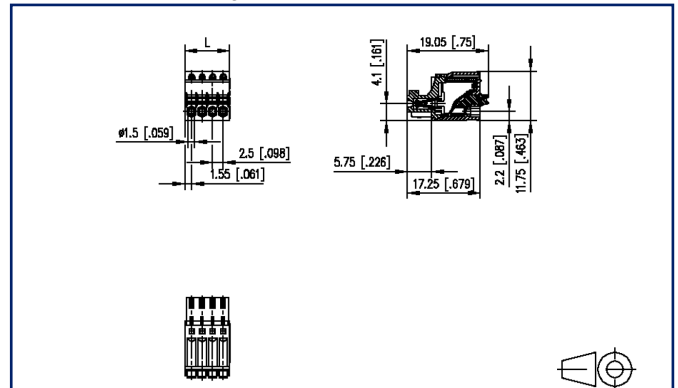
2023/06/28

Version: S

Illustrations



Dimensional drawing



See enlarged drawings at the end of document

Product specification

- spring clamp terminal block, pluggable
- centerline 2.50 mm, direction of connection vertical 0°
- color green
- push-button, wire entry uncodeable side parallel to plug direction



Technical Data



General Data

| | | | |
|---------------------------|---------|--------|--------|
| min. number of poles | 2 | | |
| max. number of poles | 12 | | |
| Insulating material class | CTI 600 | | |
| clearance/creepage dist. | 1.7 mm | | |
| Protection category | IP20 | | |
| Min. insul. strip length | 8 mm | | |
| Rated current | 4 A | | |
| Rated voltage | | 160 V | 160 V |
| Rated test voltage | | 1.5 kV | 1.5 kV |

Terminal data

| | |
|--------------------------|--|
| rat.wiring solid AWGmax | 0.08 mm ² - 0.5 mm ² / AWG 28 - AWG 20 |
| rat.wiring strand.AWGmax | 0.08 mm ² - 0.5 mm ² / AWG 28 - AWG 20 |

Approvals

| | |
|---|-------------------|
|  V / A / AWG | 150 / 5 / 28 - 20 |
| approval UL - File No. | E121004 |
|  0.5 mm ² | 80 V / 6 A |

Material

| | |
|-----------------------------|-------------------------------|
| insulating material | PA66 |
| flammability class | V0 |
| spring material | Spring steel |
| contact material | CuSn |
| Contact surface | Sn |
| Glow-Wire Flammability GWFI | 960 °C acc. to IEC 60695-2-12 |
| Glow-Wire Flammability GWIT | 775 °C acc. to IEC 60695-2-13 |

Climatic Data

| | |
|-------------------------|--------|
| upper limit temperature | 105 °C |
| lower limit temperature | -40 °C |

general

| | |
|-----------|--------------|
| Tolerance | ISO 2768 -mH |
|-----------|--------------|

U | Contact

Data sheet

SP051xxVGNN ASP051

Page 3/4

P/N

ASP051xx

xx=number of poles

2023/06/28

Version: S

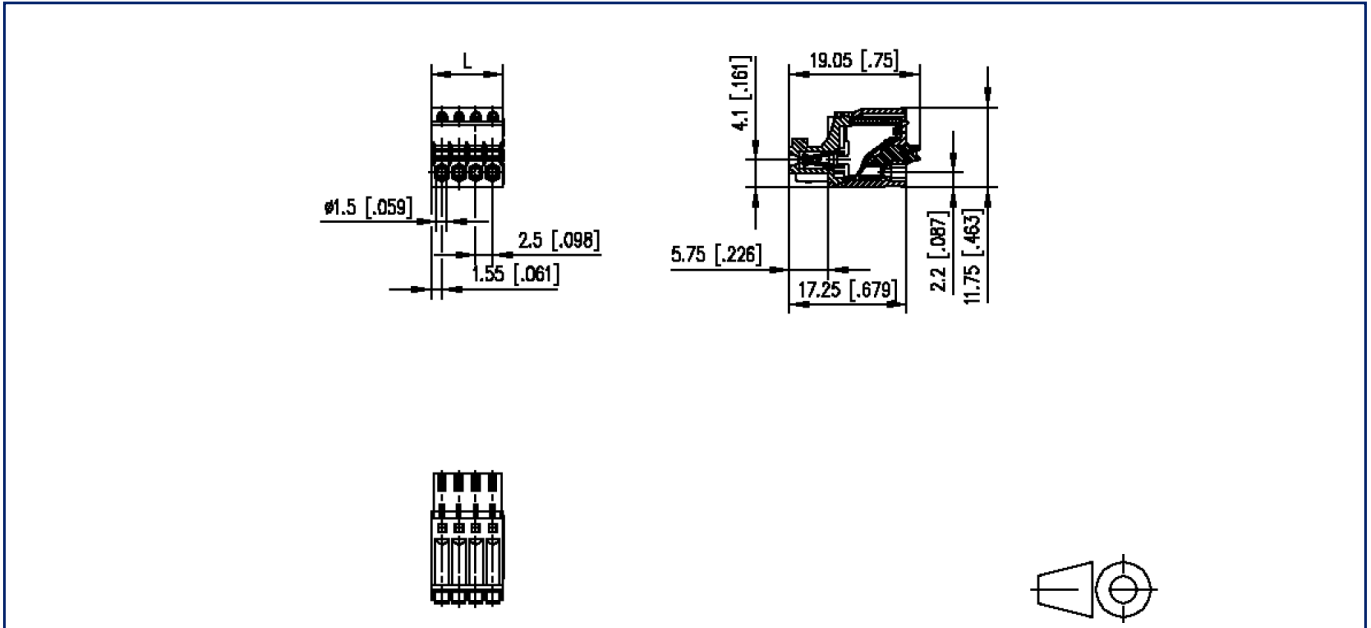
Counterpart

| P/N | Designation |
|--------|----------------------|
| 313541 | PT091xxHBEC Typ 354 |
| 313731 | PT091xxVGBN Type 373 |
| 313741 | PT091xxHGBN Type 374 |



Illustrations

Dimensional drawing



$L = (\text{pole size} - 1) \times \text{centerline} + 3.1 \text{ mm} [0.122]$