

Data sheet

SP04AxxVBNC ASP04A

Page 1/5

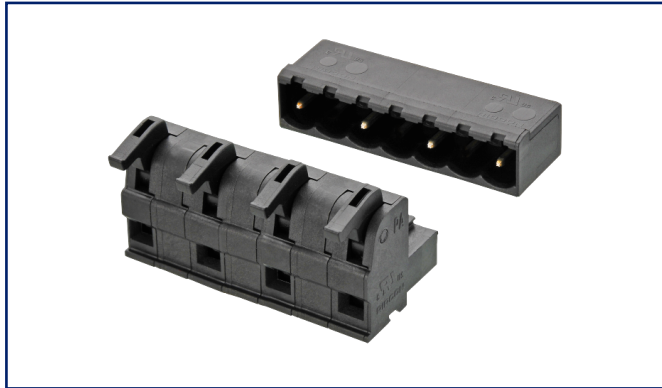
P/N
ASP04Axx

xx=number of poles

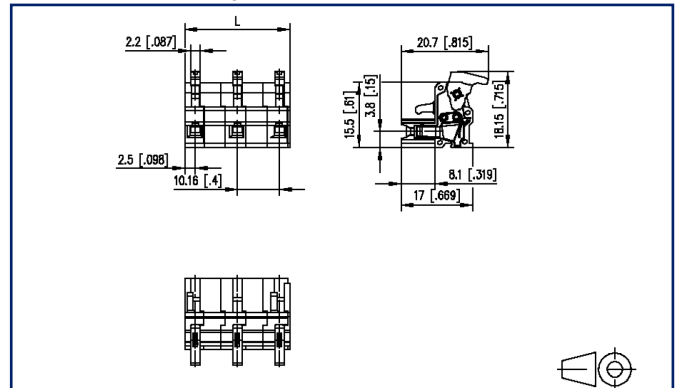
2023/06/28

Version: P

Illustrations



Dimensional drawing



See enlarged drawings at the end of document

Product specification

- spring clamp terminal block, pluggable
- centerline 10.16 mm, direction of connection vertical 0°
- fittable without loss of poles
- color black
- eccentric lever, wire entry uncodeable side parallel to plug direction



Technical Data

General Data

min. number of poles	2		
max. number of poles	12		
Insulating material class	CTI 400		
clearance/creepage dist.	9.16 mm		
Protection category	IP20		
Min. insul. strip length	4 mm		
Rated current	10 A		
Overvoltage category	III	III	II
Pollution degree	3	2	2
Rated voltage	32 V	200 V	200 V
Rated test voltage	1.5 kV	1.5 kV	1.5 kV

Terminal data

rat.wiring solid AWGmax	0.08 mm ² - 1.5 mm ² / AWG 28 - AWG 16		
rat.wiring strand.AWGmax	0.08 mm ² - 1.5 mm ² / AWG 28 - AWG 16		

Approvals

 1 mm ²	630 V / 6 kV / 10 A		
---	---------------------	--	--

Material

insulating material	PA46
flammability class	V0
spring material	Spring steel
contact material	CuSn
Contact surface	Sn
Glow-Wire Flammability GWFI	-
Glow-Wire Flammability GWIT	-

Climatic Data

upper limit temperature	105 °C
lower limit temperature	-40 °C

general

Tolerance	ISO 2768 -mH
-----------	--------------

U | Contact

Data sheet

SP04AxxVBNC ASP04A

Page 3/5

P/N
ASP04Axx

xx=number of poles

2023/06/28

Version: P

Accessories

P/N	Designation
700025-01-9	Coding star white with a group of 6 coding pins



U | Contact

Data sheet

SP04AxxVBNC ASP04A

Page 4/5

**P/N
ASP04Axx**

xx=number of poles

2023/06/28

Version: P

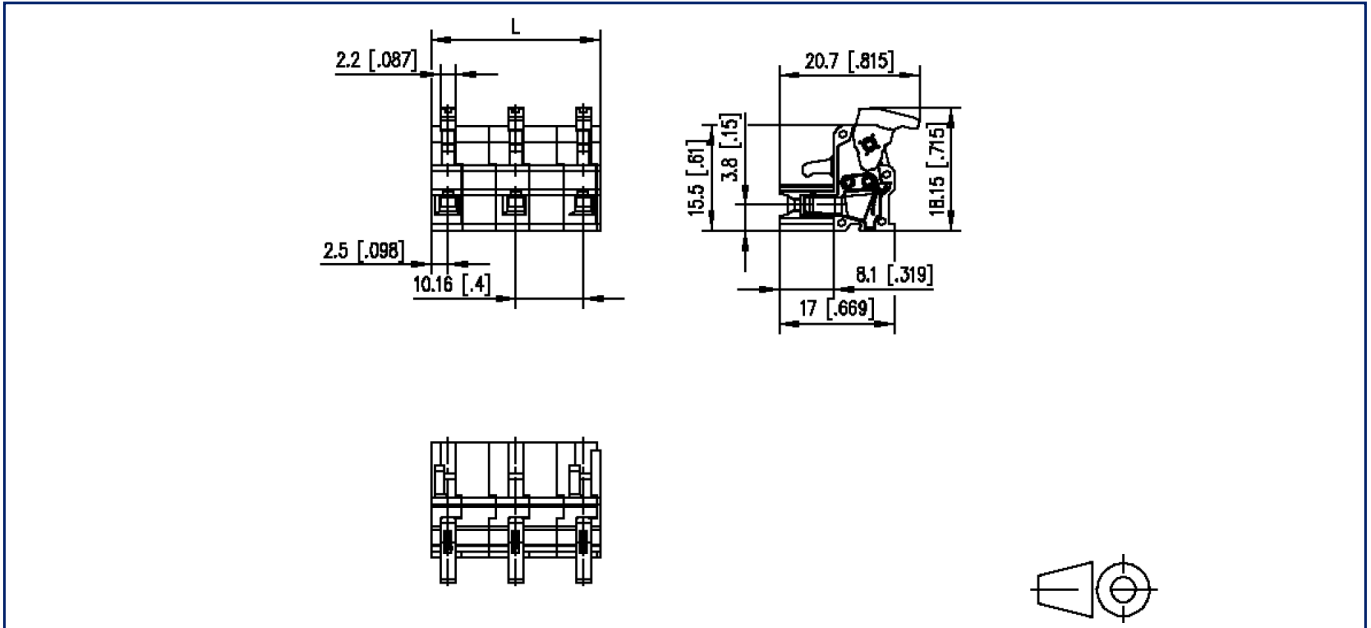
Counterpart

P/N	Designation
311782	PR06AxxHBBN Typ 178
311792	PR06AxxVBBN Typ 179
312192	PT11AxxVBEC Type 219
312202	PT11AxxVBBN Type 220
312292	PT11AxxHBEC Type 229
312302	PT11AxxHBBN Type 230



Illustrations

Dimensional drawing



$L = (\text{pole size} - 1) \times \text{centerline} + 5 \text{ mm} [0.197]$