

Data sheet

SP049xxVBNC ASP049

Page 1/6

P/N
ASP049xx

xx=number of poles

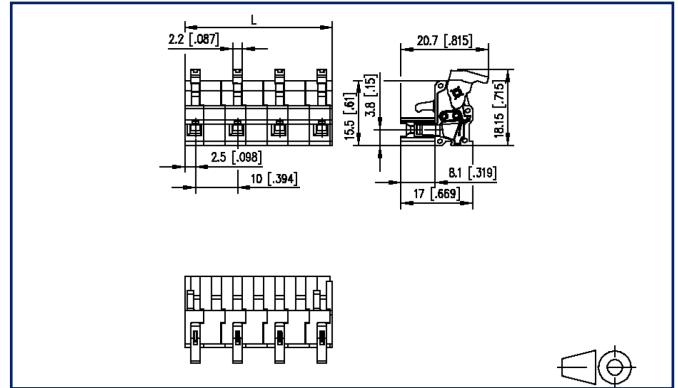
2023/06/28

Version: U

Illustrations



Dimensional drawing



See enlarged drawings at the end of document

Product specification

- spring clamp terminal block, pluggable
- centerline 10.00 mm, direction of connection vertical 0°
- fittable without loss of poles
- color black
- eccentric lever, wire entry uncodeable side parallel to plug direction



Technical Data



General Data

min. number of poles	2		
max. number of poles	12		
Insulating material class	CTI 400		
clearance/creepage dist.	9 mm		
Protection category	IP20		
Min. insul. strip length	4 mm		
Rated current	10 A		
Overvoltage category	III	III	II
Pollution degree	3	2	2
Rated voltage	32 V	200 V	200 V
Rated test voltage	1.5 kV	1.5 kV	1.5 kV

Terminal data

rat.wiring solid AWGmax	0.08 mm ² - 1.5 mm ² / AWG 28 - AWG 16
rat.wiring strand.AWGmax	0.08 mm ² - 1 mm ² / AWG 28 - AWG 16

Approvals

 V / A / AWG	300 / 8 / 28 - 16
approval UL - File No.	E121004
 1 mm ²	630 V / 6 kV / 10 A

Material

insulating material	PA46
flammability class	V0
spring material	Spring steel
contact material	CuSn
Contact surface	Sn
Glow-Wire Flammability GWFI	-
Glow-Wire Flammability GWIT	-

Climatic Data

upper limit temperature	105 °C
lower limit temperature	-40 °C

general

U | Contact

Data sheet

SP049xxVBNC ASP049

Page 3/6

P/N

ASP049xx

xx=number of poles

2023/06/28

Version: U

Technical Data

Tolerance

ISO 2768 -mH



U | Contact

Data sheet
SP049xxVBNC ASP049

Page 4/6

P/N
ASP049xx
xx=number of poles
2023/06/28
Version: U

Accessories

P/N	Designation
700025-01-9	Coding star white with a group of 6 coding pins

© 2023 METZ CONNECT - Technische Änderungen vorbehalten! Subject to modifications! Sous réserve de modifications techniques!



U | Contact

Data sheet
SP049xxVBNC ASP049

Page 5/6

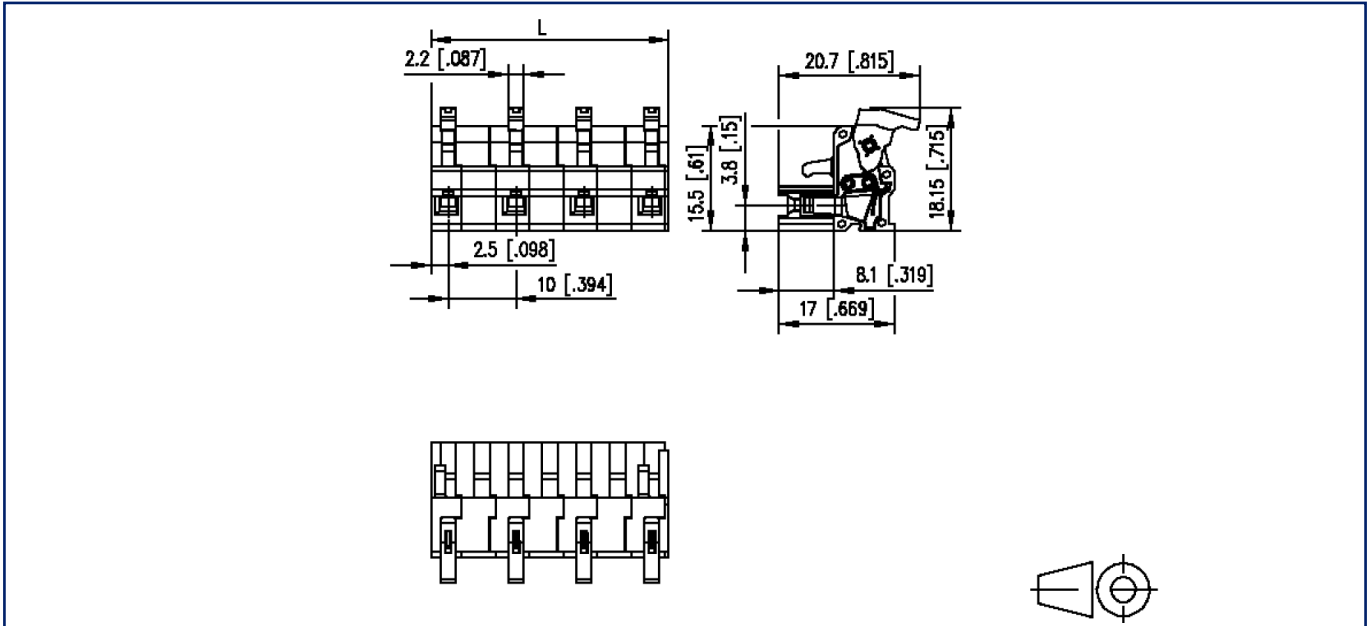
P/N
ASP049xx
xx=number of poles
2023/06/28
Version: U

Counterpart

P/N	Designation
311762	PR069xxHBBN Typ 176
311772	PR069xxVBBN Typ 177
313192	PT119xxVBEC Typ 319
313202	PT119xxVBBN Type 320
313302	PT119xxHBBN Typ 330

Illustrations

Dimensional drawing



$L = (\text{pole size} - 1) \times \text{centerline} + 5 \text{ mm } [0.197]$