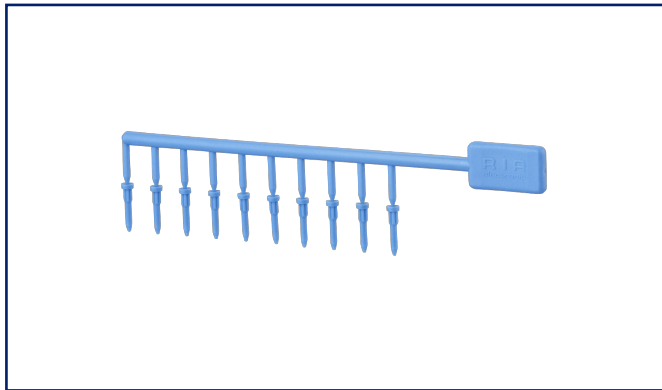


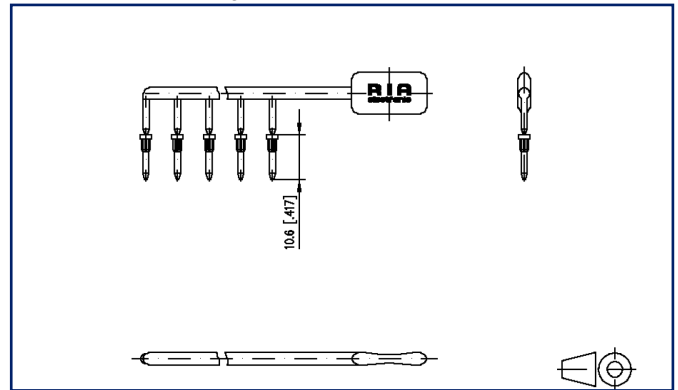
Data sheet

Coding comb pastel blue

Illustrations



Dimensional drawing



See enlarged drawings at the end of document

Product specification

- The coding pin is inserted into the mating area of the female contact (plug-in). The contact pin should be removed from the respective position of the header.
- This method of coding is associated with a circuit loss
- Group of 10 blue coding pins

U | Contact

Data sheet

Page 2/4

Coding comb pastel blue

**P/N
716846**

2023/06/23
Version: P

Technical Data

Material

insulating material	PA66
Glow-Wire Flammability GWFI	960 °C acc. to IEC 60695-2-12
Glow-Wire Flammability GWIT	775 °C acc. to IEC 60695-2-13



Accessories from

P/N	Designation
310071	RP025xxIBWC Type 007
310072	RP029xxIBWC Type 007
310771	RP025xxIBWU Typ 077
310772	RP029xxIBWU Typ 077
310791	RP026xxIBWU Type 079
310792	RP02AxxIBWU Typ 079
311071	RP025xxHBWC Type 107
311072	RP029xxHBWC Typ 107
311081	RP025xxMBWC Typ 108
311082	RP029xxMBWC Typ 108
311371	RP025xxIBLC Type 137
311372	RP029xxIBLC Typ 137

Illustrations

Dimensional drawing

