

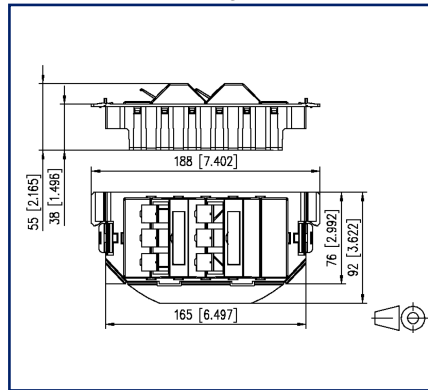
## Data sheet

### E-DAT subway 6 port GB2 pearl white

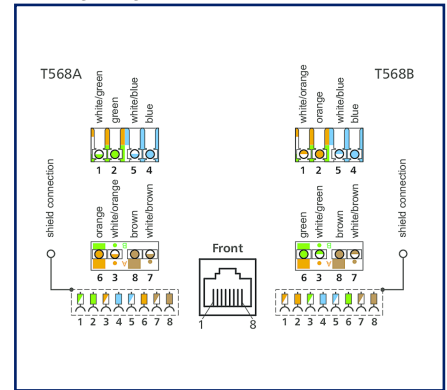
## Illustrations



Dimensional drawing



Wiring diagram



See enlarged drawings at the end of document

## Product specification

- termination unit for mounting in service outlets for underfloor systems
- suitable for underfloor service outlets of OBO Bettermann (Ackermann) and some types of :hager (Electraplan Solutions)
- GB2 design with E-DAT modul
- Cat.6<sub>A</sub> component test according to ISO/IEC 11801, DIN EN 50173-1, ANSI/TIA-568.2-D and IEC 60603-7-51, GHMT certified
- compliance with class E<sub>A</sub> according to ISO/IEC 11801, DIN EN 50173-1
- tested: Link up to 500 MHz
- suitable for 10 GBit Ethernet (IEEE 802.3an), Remote Powering (PoE, PoE plus, UPoE and 4PPoE) and HDBaseT
- easy to install connection of 2 to 4 pair data lines AWG 26/1 - 22/1 and stranded wires with 7 copper conductors AWG 26/7 - 22/7 to BTR 8-fold insulation displacement connectors (IDC)
- marking of conductor assignment to T568A and T568B
- incl. module frame, caps and dummy covers
- module plug direction 45° upwards
- with label window for enclosed identification labels
- label sheet 209 x 294 mm see accessory
- integrated dust protection covers (also colored)
- color: black device casing, pearl white covers
- variants: 3 ports, 6 ports, 9 ports

# P | Cabling

Data sheet

Page 2/7

## E-DAT subway 6 port GB2 pearl white

P/N

1309300601-E

EAN 4250184106241

2023/08/07

Version: AH

### Technical Data

#### General Data

|   |  |
|---|--|
| Fields of application                         | office areas                           |
| Mechanical measurement according to MICE      | M1                                     |
| Ingress measurement according to MICE         | I1                                     |
| Climatic measurement according to MICE        | C1                                     |
| Electromagnetic measurement according to MICE | E2                                     |
| Design  | wall outlet                            |
| Mounting style                                | GB2                                    |
| Shielding                                     | shielded                               |
| Transmission technology                       | Copper                                 |
| Wiring  | T568A and T568B                        |
| Color   | pearl white RAL 1013                   |
| Dimensions                                    |  |
| Dimension (L x W x H)                         | 55 mm x 76 mm x 188 mm                 |
| Dimension (L x W x H)                         | 2.165 in. x 2.992 in. x 7.402 in.      |
| Modularity                                    | yes                                    |
| Labeling option                               | label window with identification label |
| Marking option                                | by dust protection                     |

#### Transmission characteristics

|                                 |                |
|---------------------------------|----------------|
| Category (ISO)                  | 6              |
| Class (ISO/IEC)                 | E <sub>A</sub> |
| Category (TIA)                  | 6              |
| Remote Powering                 | yes            |
| PoE                             | IEEE 802.3af   |
| PoE plus                        | IEEE 802.3at   |
| UPoE                            | yes            |
| 4PPoE                           | IEEE 802.3bt   |
| HDBaseT                         | yes            |
| Transmission rate up to 10 GBit | IEEE 802.3an   |



### Technical Data

| Connections/interfaces                                       |   |
|--|---|
| Connector technology interface 1                             | IDC-connection                                |
| Connector technology interface 2                             | RJ45-jack                                     |
| Number of ports interface 2                                  | 6   |
| Number of ports interface 2 equipped                         | 6   |
| Number of positions/contacts interface 1                     | 6 x 8   |
| Number of positions/contacts interface 2                     | 6 x 8P/8C                                     |
| Termination data, solid wire (min. - max.)                   |   |
| Conductor cross section, solid wire                          | AWG 26/1 - AWG 22/1                           |
| Conductor cross section, solid wire                          | 0.128 mm <sup>2</sup> - 0.324 mm <sup>2</sup> |
| Conductor diameter, solid wire (bare copper)                 | 0.409 mm - 0.643 mm                           |
| Conductor diameter, solid wire (bare copper)                 | 0.016 in. - 0.025 in.                         |
| Termination data, stranded wire (min. - max.)                |   |
| Conductor cross section, stranded wire                       | AWG 26/7 - AWG 22/7                           |
| Conductor cross section, stranded wire                       | 0.141 mm <sup>2</sup> - 0.355 mm <sup>2</sup> |
| Conductor diameter, stranded wire (bare copper)              | 0.483 mm - 0.762 mm                           |
| Conductor diameter, stranded wire (bare copper)              | 0.019 in. - 0.03 in.                          |
| Elektrische/ Optische Eigenschaften                          |   |
| Current carrying capacity                                    | 1 A   |
| Contact resistance   | max. 20 mOhm                                  |
| Insulation resistance  | min. 500 MOhm                                 |
| Dielectric strength conductor-conductor (secondary)          | min. 1000 V DC                                |
| Mechanical data  |   |
| Insertion and withdrawal force                               | max. 30 N                                     |
| Position/mounting of latch<br>standard installation position | top   |
| Materials and material properties                            |   |
| Material - Housing   | GD-Zn (zinc die-cast)                         |
| Material - Cover part(s)                                     | ABS   |
| Material - Supporting frame                                  | GD-Zn (zinc die-cast)                         |
| Material - Label window                                      | ABS, transparent                              |
| Material - Dust protection                                   | ABS   |
| Material - Contact   | CuSn (tin bronze)                             |

# P | Cabling

Data sheet

Page 4/7

## E-DAT subway 6 port GB2 pearl white

P/N

1309300601-E

EAN 4250184106241

2023/08/07

Version: AH

### Technical Data

#### Materials and material properties

|                             |                       |
|-----------------------------|-----------------------|
| Material - Contact finish   | Ni + Au (nickel-gold) |
| Material - Contact carriers | PA 6.6                |
| Material - Finish           | Ni (nickel)           |
| RoHS                        | compliant             |

#### Environmental conditions

|                             |  |
|-----------------------------|--|
| Temperature (min. - max.)   |  |
| Temperature - Storage °C    | -40 °C - 70 °C   |
| Temperature - Storage °F    | -40 °F - 158 °F  |
| Temperature - Operating °C  | -40 °C - 70 °C   |
| Temperature - Operating °F  | -40 °F - 158 °F  |
| Rapid change of temperature | -40°C / -40°F - +70°C / 158°F / 25 cycles t=30 min                   |
| Damp heat                   | +25°C / +77°F / +65°C / +149°F / 93% RH // -10°C / -14°F / 21 cycles |
| Flowing mixed gas           | +25 °C / +77°F / 73% RH / 4 days, H2S / SO2                          |
| Vibration                   | 50 m/s <sup>2</sup>  |
| Shock                       | 250 m/s <sup>2</sup>   |

#### Certifications

|                      |  |              |
|----------------------|--|--------------|
| GHMT Type Approval   |   | Component    |
| Approvals            |  |              |
| UL listed (file no.) |  | DUXR.E178484 |

#### Standards/Regulations

|                                     |                           |
|-------------------------------------|---------------------------|
| Generic cabling systems             |                           |
| General requirements                | ANSI/TIA-568              |
| Connectors for electronic equipment |                           |
| Free and fixed connectors           | DIN EN 60603-7-51:2011-01 |

# P | Cabling

Data sheet

Page 5/7

## E-DAT subway 6 port GB2 pearl white

P/N

1309300601-E

EAN 4250184106241

2023/08/07

Version: AH

### Technical Data

#### Standards/Regulations

Connectors for electronic equipment - Tests and measurements

|   |                               |
|---|-------------------------------|
| Test standard for connectors (engaging and separating connectors under electrical load) | DIN-EN 60512-99-001, Pg. UEL1 |
| Endurance tests   | IEC 60512-9-3: 03-2009        |
| Interference proof  |                               |
| Immunity for industrial environments  | DIN EN 61000-6-2:2006-03      |
| Climate tests   | IEC 60512-11                  |

#### Classifications

|          |          |
|----------|----------|
| ETIM 5.0 | EC001264 |
| ETIM 6.0 | EC001264 |
| ETIM 7.0 | EC001264 |
| ETIM 8.0 | EC001264 |
| ETIM 9.0 | EC001264 |

#### Packing details

|                                 |                                    |
|---------------------------------|------------------------------------|
| Type of packaging               | 1 pc(s) / plastic bag              |
| Packaging unit - Weight (gram)  | 444 g                              |
| Packaging unit - Weight (pound) | 0.98 lb                            |
| Packaging dimension             | 160 mm x 100 mm x 380 mm           |
| Packaging dimension             | 6.299 in. x 3.937 in. x 14.961 in. |

# P | Cabling

Data sheet

Page 6/7

## E-DAT subway 6 port GB2 pearl white

P/N

1309300601-E

EAN 4250184106241

2023/08/07

Version: AH

### Accessories

| P/N           | Designation   |
|---------------|---|
| 1309310099-I  | GB fastening kit PUK  |
| 1309320001-I  | Subway blind cover  |
| 1309320301-E  | Subway 3 port cover   |
| 1309330300-E  | Subway 3 port module frame  |
| 1309380101-I  | Subway DIN device frame   |
| 816979-0103-I | Dust protection covers for Modul patch panels subway / REG gray   |
| 816979-0105-I | Dust protection covers for Modul patch panels subway / REG yellow |
| 816979-0106-I | Dust protection covers for Modul patch panels subway / REG blue   |
| 816979-0107-I | Dust protection covers for Modul patch panels subway / REG green  |
| 816979-0108-I | Dust protection covers for Modul patch panels subway / REG red    |
| 899650-01     | Label sheet for wall outlets                                      |

# P | Cabling

Data sheet

Page 7/7

## E-DAT subway 6 port GB2 pearl white

P/N

1309300601-E

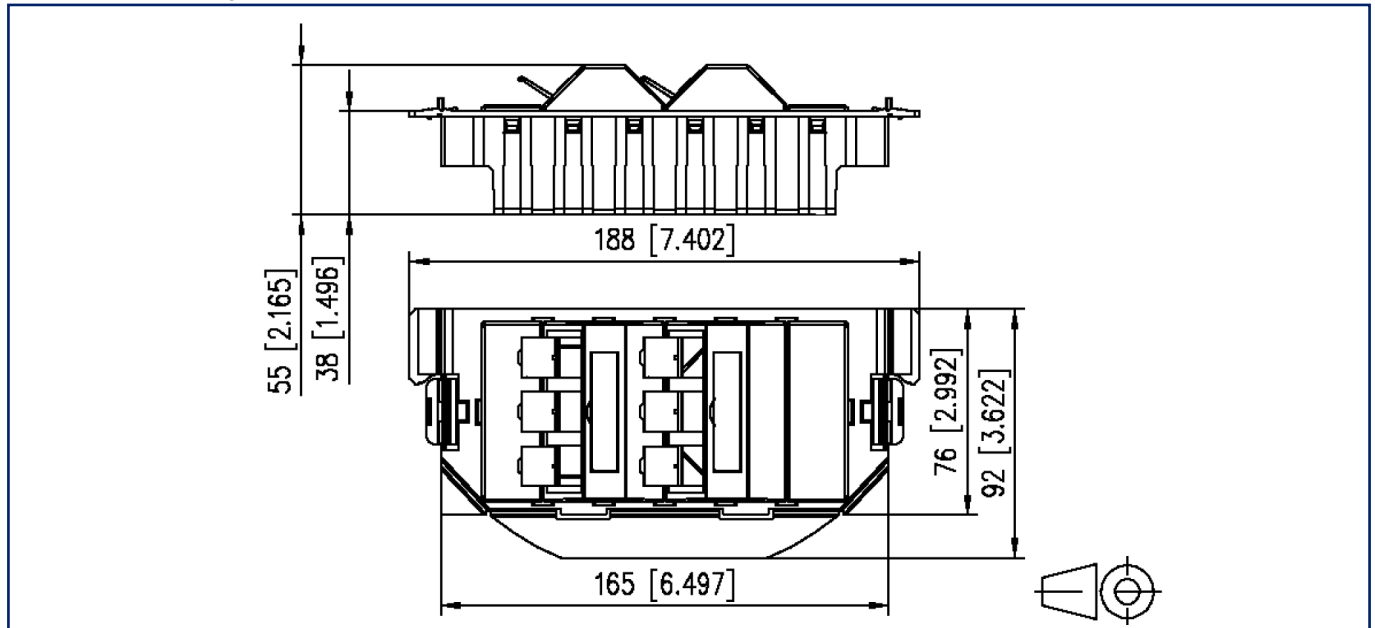
EAN 4250184106241

2023/08/07

Version: AH

### Illustrations

Dimensional drawing



Wiring diagram

