

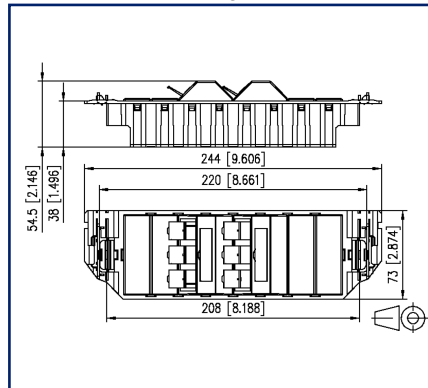
Data sheet

E-DAT subway 6 port GB3 pearl white

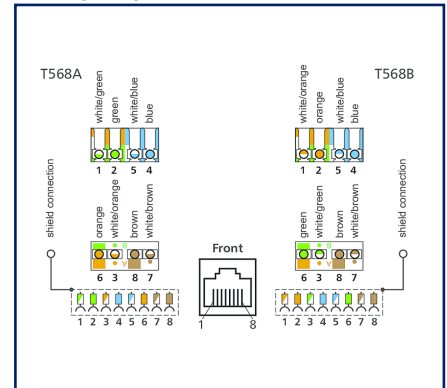
Illustrations



Dimensional drawing



Wiring diagram



See enlarged drawings at the end of document

Product specification

- termination unit for mounting in service outlets for underfloor systems
- suitable for underfloor service outlets of OBO Bettermann (Ackermann) and some types of :hager (Electraplan Solutions)
- GB3 design with E-DAT modul
- Cat.6_A component test according to ISO/IEC 11801, DIN EN 50173-1, ANSI/TIA-568.2-D and IEC 60603-7-51, GHMT certified
- compliance with class E_A according to ISO/IEC 11801, DIN EN 50173-1
- tested: Link up to 500 MHz
- suitable for 10 GBit Ethernet (IEEE 802.3an), Remote Powering (PoE, PoE plus, UPoE and 4PPoE) and HDBaseT
- easy to install connection of 2 to 4 pair data lines AWG 26/1 - 22/1 and stranded wires with 7 copper conductors AWG 26/7 - 22/7 to BTR 8-fold insulation displacement connectors (IDC)
- marking of conductor assignment to T568A and T568B
- incl. module frame, caps and dummy covers
- module plug direction 45° upwards
- with label window for enclosed identification labels
- label sheet 209 x 294 mm see accessory
- integrated dust protection covers (also colored)
- color: black device casing, pearl white covers
- variants: 3 ports, 6 ports, 9 ports, 12 ports



P | Cabling

Data sheet

Page 2/7

E-DAT subway 6 port GB3 pearl white

P/N

1309310601-E

EAN 4250184106289

2023/08/07

Version: AF

Technical Data

General Data

| | |
|---|--|
| Fields of application | office areas |
| Mechanical measurement according to MICE | M1 |
| Ingress measurement according to MICE | I1 |
| Climatic measurement according to MICE | C1 |
| Electromagnetic measurement according to MICE | E2 |
| Design | wall outlet |
| Mounting style | GB3 |
| Shielding | shielded |
| Transmission technology | Copper |
| Wiring | T568A and T568B |
| Color | pearl white RAL 1013 |
| Dimensions | |
| Dimension (L x W x H) | 54.5 mm x 73 mm x 244 mm |
| Dimension (L x W x H) | 2.146 in. x 2.874 in. x 9.606 in. |
| Modularity | yes |
| Labeling option | label window with identification label |
| Marking option | by dust protection |

Transmission characteristics

| | |
|---------------------------------|----------------|
| Category (ISO) | 6 |
| Class (ISO/IEC) | E _A |
| Category (TIA) | 6 |
| Remote Powering | yes |
| PoE | IEEE 802.3af |
| PoE plus | IEEE 802.3at |
| UPoE | yes |
| 4PPoE | IEEE 802.3bt |
| HDBaseT | yes |
| Transmission rate up to 10 GBit | IEEE 802.3an |

P | Cabling

Data sheet

Page 3/7

E-DAT subway 6 port GB3 pearl white

P/N

1309310601-E

EAN 4250184106289

2023/08/07

Version: AF

Technical Data

| Connections/interfaces | |
|--|---|
| Connector technology interface 1 | IDC-connection |
| Connector technology interface 2 | RJ45-jack |
| Number of ports interface 2 | 6 |
| Number of ports interface 2 equipped | 6 |
| Number of positions/contacts interface 1 | 6 x 8 |
| Number of positions/contacts interface 2 | 6 x 8P/8C |
| Termination data, solid wire (min. - max.) | |
| Conductor cross section, solid wire | AWG 26/1 - AWG 22/1 |
| Conductor cross section, solid wire | 0.128 mm ² - 0.324 mm ² |
| Conductor diameter, solid wire (bare copper) | 0.409 mm - 0.643 mm |
| Conductor diameter, solid wire (bare copper) | 0.016 in. - 0.025 in. |
| Termination data, stranded wire (min. - max.) | |
| Conductor cross section, stranded wire | AWG 26/7 - AWG 22/7 |
| Conductor cross section, stranded wire | 0.141 mm ² - 0.355 mm ² |
| Conductor diameter, stranded wire (bare copper) | 0.483 mm - 0.762 mm |
| Conductor diameter, stranded wire (bare copper) | 0.019 in. - 0.03 in. |
| Elektrische/ Optische Eigenschaften | |
| Current carrying capacity | 1 A |
| Contact resistance | max. 20 mOhm |
| Insulation resistance | min. 500 MOhm |
| Dielectric strength conductor-conductor (secondary) | min. 1000 V DC |
| Mechanical data | |
| Insertion and withdrawal force | max. 30 N |
| Position/mounting of latch standard installation position | top |
| Materials and material properties | |
| Material - Housing | GD-Zn (zinc die-cast) |
| Material - Cover part(s) | ABS |
| Material - Supporting frame | GD-Zn (zinc die-cast) |
| Material - Label window | ABS, transparent |
| Material - Dust protection | ABS |
| Material - Contact | CuSn (tin bronze) |

P | Cabling

Data sheet

Page 4/7

E-DAT subway 6 port GB3 pearl white

P/N

1309310601-E

EAN 4250184106289

2023/08/07

Version: AF

Technical Data

Materials and material properties

| | |
|-----------------------------|-----------------------|
| Material - Contact finish | Ni + Au (nickel-gold) |
| Material - Contact carriers | PA 6.6 |
| Material - Finish | Ni (nickel) |
| RoHS | compliant |

Environmental conditions

| | |
|-----------------------------|--|
| Temperature (min. - max.) | |
| Temperature - Storage °C | -40 °C - 70 °C |
| Temperature - Storage °F | -40 °F - 158 °F |
| Temperature - Operating °C | -40 °C - 70 °C |
| Temperature - Operating °F | -40 °F - 158 °F |
| Rapid change of temperature | -40°C / -40°F - +70°C / 158°F / 25 cycles t=30 min |
| Damp heat | +25°C / +77°F / +65°C / +149°F / 93% RH // -10°C / -14°F / 21 cycles |
| Flowing mixed gas | +25 °C / +77°F / 73% RH / 4 days, H2S / SO2 |
| Vibration | 50 m/s ² |
| Shock | 250 m/s ² |

Certifications

| | | |
|----------------------|--|--------------|
| GHMT Type Approval |  | Component |
| Approvals | | |
| UL listed (file no.) |  | DUXR.E178484 |

Standards/Regulations

| | |
|-------------------------------------|---------------------------|
| Generic cabling systems | |
| General requirements | ANSI/TIA-568 |
| Connectors for electronic equipment | |
| Free and fixed connectors | DIN EN 60603-7-51:2011-01 |

P | Cabling

Data sheet

Page 5/7

E-DAT subway 6 port GB3 pearl white

P/N

1309310601-E

EAN 4250184106289

2023/08/07

Version: AF

Technical Data

Standards/Regulations

Connectors for electronic equipment - Tests and measurements

| | |
|---|-------------------------------|
| Test standard for connectors (engaging and separating connectors under electrical load) | DIN-EN 60512-99-001, Pg. UEL1 |
| Endurance tests | IEC 60512-9-3: 03-2009 |
| Interference proof | |
| Immunity for industrial environments | DIN EN 61000-6-2:2006-03 |
| Climate tests | IEC 60512-11 |

Classifications

| | |
|----------|----------|
| ETIM 5.0 | EC001264 |
| ETIM 6.0 | EC001264 |
| ETIM 7.0 | EC001264 |
| ETIM 8.0 | EC001264 |
| ETIM 9.0 | EC001264 |

Packing details

| | |
|---------------------------------|------------------------------------|
| Type of packaging | 1 pc(s) / plastic bag |
| Packaging unit - Weight (gram) | 486 g |
| Packaging unit - Weight (pound) | 1.07 lb |
| Packaging dimension | 160 mm x 100 mm x 380 mm |
| Packaging dimension | 6.299 in. x 3.937 in. x 14.961 in. |

P | Cabling

Data sheet

Page 6/7

E-DAT subway 6 port GB3 pearl white

P/N

1309310601-E

EAN 4250184106289

2023/08/07

Version: AF

Accessories

| P/N | Designation |
|---------------|---|
| 1309310099-I | GB fastening kit PUK |
| 1309320001-I | Subway blind cover |
| 1309320301-E | Subway 3 port cover |
| 1309330300-E | Subway 3 port module frame |
| 1309380101-I | Subway DIN device frame |
| 816979-0103-I | Dust protection covers for Modul patch panels subway / REG gray |
| 816979-0105-I | Dust protection covers for Modul patch panels subway / REG yellow |
| 816979-0106-I | Dust protection covers for Modul patch panels subway / REG blue |
| 816979-0107-I | Dust protection covers for Modul patch panels subway / REG green |
| 816979-0108-I | Dust protection covers for Modul patch panels subway / REG red |
| 899650-01 | Label sheet for wall outlets |

P | Cabling

Data sheet

E-DAT subway 6 port GB3 pearl white

Page 7/7

P/N

1309310601-E

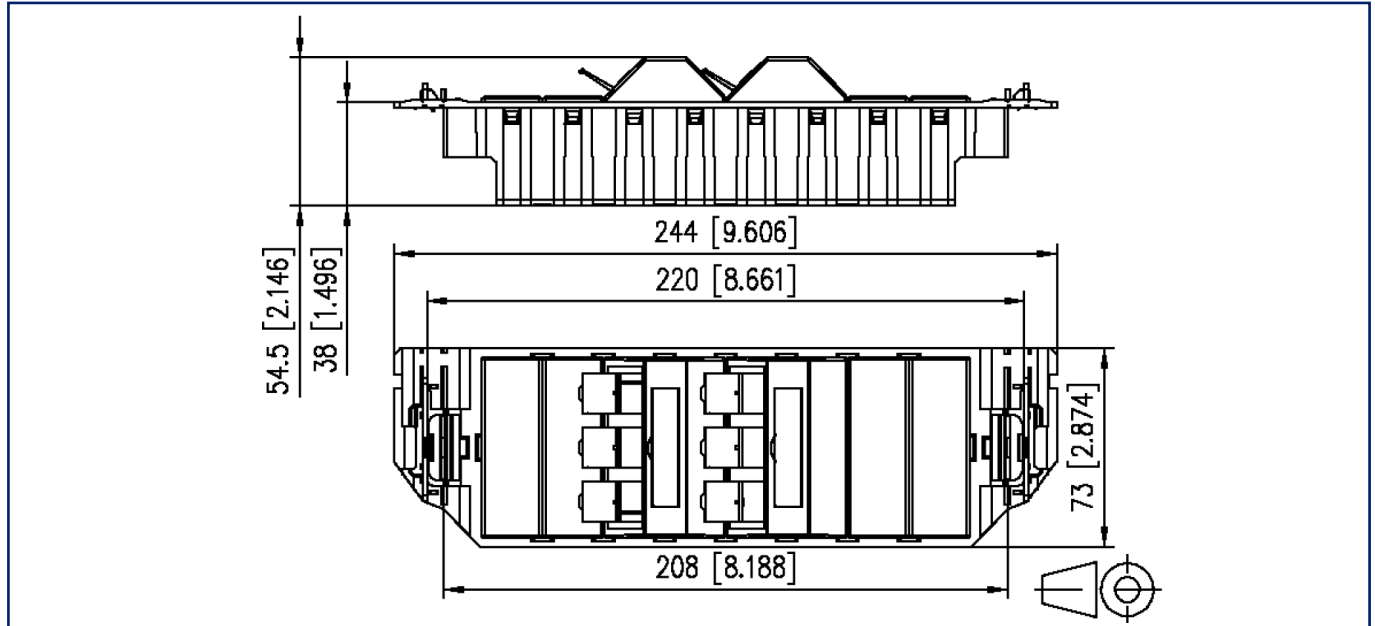
EAN 4250184106289

2023/08/07

Version: AF

Illustrations

Dimensional drawing



Wiring diagram

