

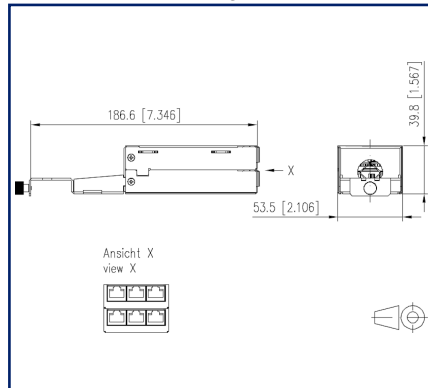
## Data sheet

### DCCS2 subassembly C6<sub>A</sub> MTC1

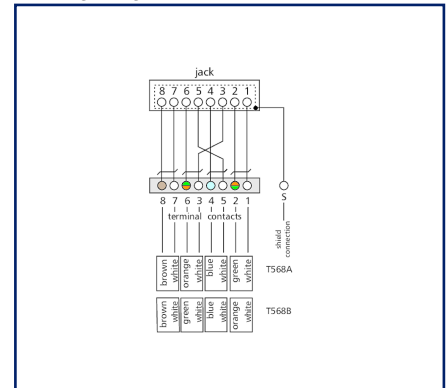
## Illustrations



Dimensional drawing



Wiring diagram



See enlarged drawings at the end of document

## Product specification

- 6 port RJ45 subassembly to mount one 24-pair installation cable AWG26 or AWG23
- Cat.6<sub>A</sub> component test according to ISO/IEC 11801, ANSI/TIA-568.2-D and IEC 60603-7-51, GHMT certified
- compliance with class E<sub>A</sub> up to 500 MHz according to ISO/IEC 11801, GHMT certified
- tested: components up to 600 MHz, link up to 800 MHz
- suitable for 10 GBit Ethernet (IEEE 802.3an), Remote Powering (PoE, PoE plus, UPoE and 4PPoE) and HDBaseT
- Alien Next optimized, shielded jacks
- the locking levers of patch cords connected to DCCS2 subassemblies show upwards and are easy to handle at any time
- connection of one data cable AWG 26/1 to 22/1 (solid wire) to LSA IDC terminal blocks
- marking of conductor assignment to T568A
- solid and refined assembly housing
- shield tap for installation cable separate from strain relief
- mounting version: DCCS2



# P | Cabling

Data sheet

Page 2/7

## DCCS2 subassembly C6<sub>A</sub> MTC1

P/N

130D2CM1-E

EAN 4250184153757

2023/04/18

Version: AB

### Technical Data

#### General Data

Mechanical measurement according to MICE	M1
Ingress measurement according to MICE	I1
Climatic measurement according to MICE	C1
Electromagnetic measurement according to MICE	E2
Design	subassembly / assembly / module / unit
Mounting style	DCCS
Shielding	shielded
Transmission technology	Copper
Wiring	T568A
Dimensions	
Dimension (L x W x H)	186.6 mm x 53.5 mm x 39.8 mm
Dimension (L x W x H)	7.346 in. x 2.106 in. x 1.567 in.

#### Transmission characteristics

Category (ISO)	6 <sub>A</sub>
Class (ISO/IEC)	E <sub>A</sub>
Category (TIA)	6A
Remote Powering	yes
PoE	IEEE 802.3af
PoE plus	IEEE 802.3at
UPoE	yes
4PPoE	IEEE 802.3bt
HDBaseT	yes
Transmission rate up to 10 GBit	IEEE 802.3an

#### Connections/interfaces

Connector technology interface 1	LSA terminal block
Connector technology interface 2	RJ45-jack
Number of ports interface 2	6
Number of ports interface 2 equipped	6
Number of positions/contacts interface 2	6 x 8P/8C

# P | Cabling

Data sheet

Page 3/7

## DCCS2 subassembly C6<sub>A</sub> MTC1

P/N

130D2CM1-E

EAN 4250184153757

2023/04/18

Version: AB

### Technical Data

#### Connections/interfaces

Termination data, solid wire (min. - max.)

Conductor cross section, solid wire	AWG 26/1 - AWG 22/1
Conductor cross section, solid wire	0.128 mm <sup>2</sup> - 0.324 mm <sup>2</sup>
Conductor diameter, solid wire (bare copper)	0.409 mm - 0.643 mm
Conductor diameter, solid wire (bare copper)	0.016 in. - 0.025 in.

#### Mechanical data

Position/mounting of latch standard installation position	top
--	-----

#### Materials and material properties

Material - Assembly housing	sheet steel
Material - Assembly housing finish	Zn (zinc)
Material - Jack contact	CuSn (tin bronze)
Material - Jack contact finish	Ni + Au (nickel-gold)
Material - Terminal block contact	CuZn
Material - Terminal block contact finish	Sn (tin)
Halogen free	yes
RoHS	compliant

#### Environmental conditions

Temperature (min. - max.)	
Temperature - Storage °C	-40 °C - 70 °C
Temperature - Storage °F	-40 °F - 158 °F
Temperature - Operating °C	-40 °C - 70 °C
Temperature - Operating °F	-40 °F - 158 °F

#### Certifications

GHMT Type Approval



Component

# P | Cabling

Data sheet

Page 4/7

## DCCS2 subassembly C6<sub>A</sub> MTC1

P/N

130D2CM1-E

EAN 4250184153757

2023/04/18

Version: AB

### Technical Data

#### Standards/Regulations

Generic cabling systems

General requirements	ISO/IEC 11801-1   DIN EN 50173-1 ANSI/TIA-568-C.2
----------------------	--

Connectors for electronic equipment

Free and fixed connectors	DIN EN 60603-7-51:2011-01
---------------------------	---------------------------

#### Classifications

ETIM 5.0	EC002697
ETIM 6.0	EC002697
ETIM 7.0	EC002697
ETIM 8.0	EC002697
ETIM 9.0	EC002697

#### Packing details

Type of packaging	1 pc(s) / box
Packaging unit - Weight (gram)	320 g
Packaging unit - Weight (pound)	0.71 lb
Packaging dimension	230 mm x 60 mm x 45 mm
Packaging dimension	9.055 in. x 2.362 in. x 1.772 in.

# P | Cabling

Data sheet

Page 5/7

## DCCS2 subassembly C6<sub>A</sub> MTC1

P/N

130D2CM1-E

EAN 4250184153757

2023/04/18

Version: AB

### Accessories

P/N	Designation
130D2B1B-E	DCCS2 BGT 19 inch 1RU subrack black
130D2B1G-E	DCCS2 BGT 19 inch 1RU subrack light gray



# P | Cabling

Data sheet

## DCCS2 subassembly C6<sub>A</sub> MTC1

Page 6/7

P/N

130D2CM1-E

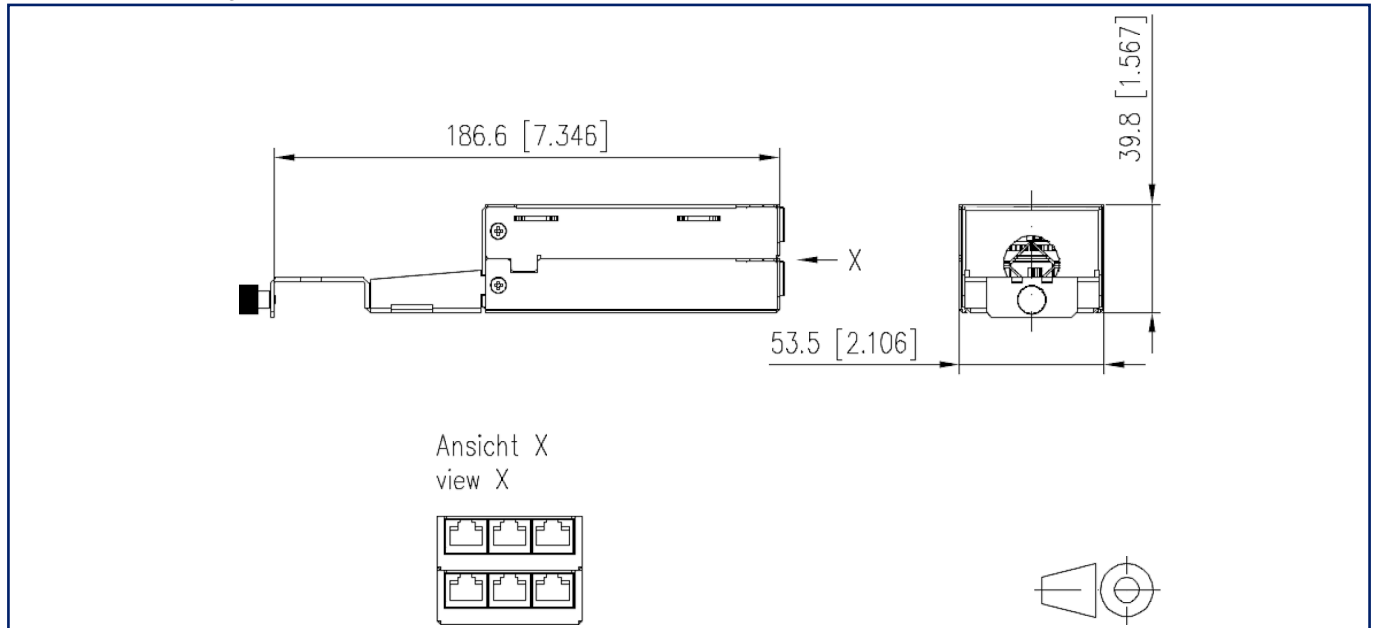
EAN 4250184153757

2023/04/18

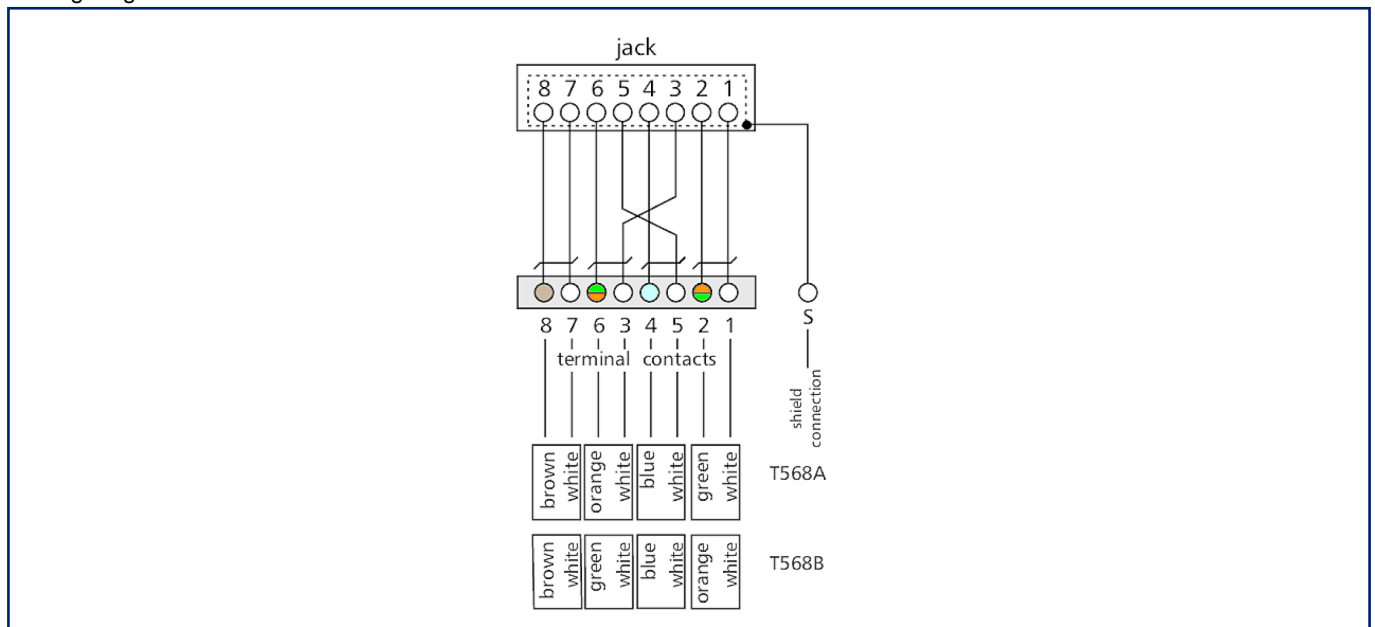
Version: AB

### Illustrations

Dimensional drawing



Wiring diagram



# P | Cabling

Data sheet

**DCCS2 subassembly C6<sub>A</sub> MTC1**

Page 7/7

P/N

130D2CM1-E

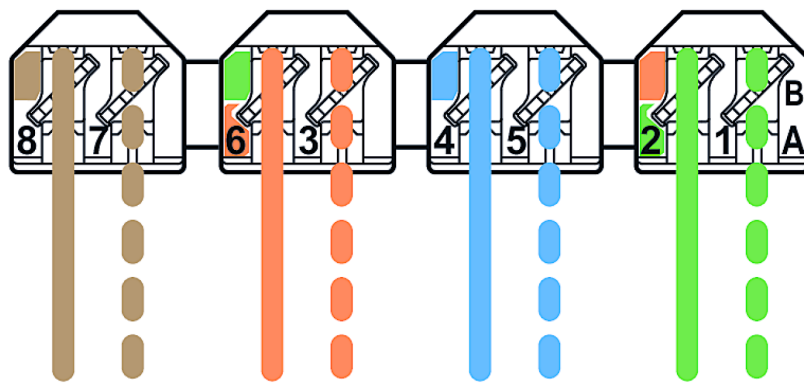
EAN 4250184153757

2023/04/18

Version: AB

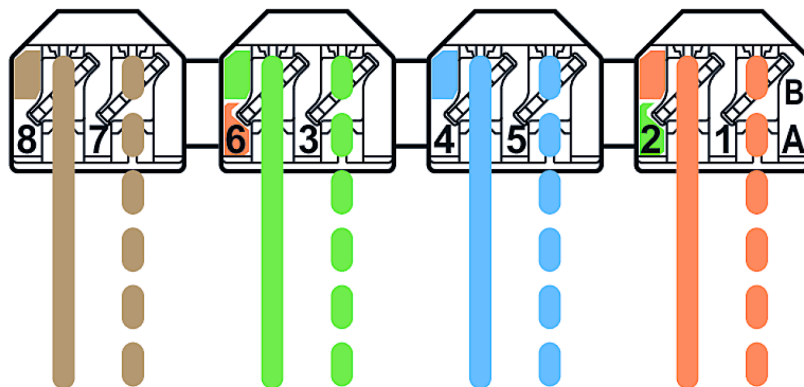
## Illustrations

Wiring diagram



**T568A**

Wiring diagram



**T568B**

