

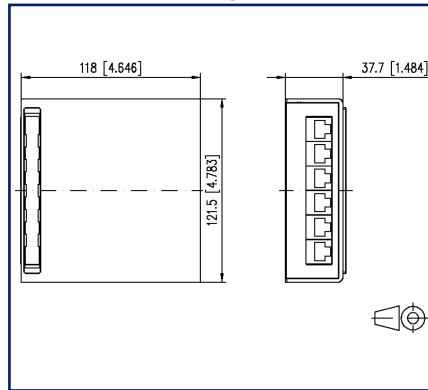
Data sheet

E-DAT 6x8 surface mounted distributor Class E/Cat.6 Link, pure white

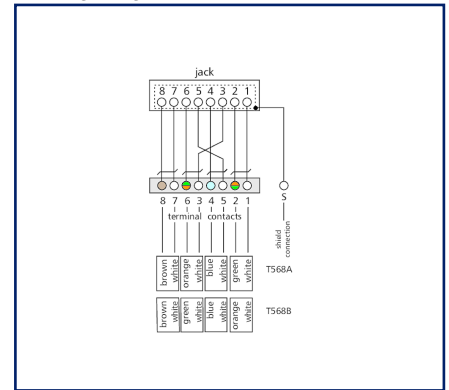
Illustrations



Dimensional drawing



Wiring diagram



See enlarged drawings at the end of document

Product specification

- 6-port surface-mounted distributor or wall outlet for structured cabling in the building
- Cat.5e Class E Link Performance according to ISO/IEC11801, DIN EN 50173-1
- suitable for 1 GBit Ethernet (IEEE 802.3an), Remote Powering (PoE, PoE plus, UPoE and 4PPoE) and HDBaseT
- suitable Remote Powering (PoE, PoE plus and UPoE) and HDBaseT
- colors: light gray RAL 7035 and pure white RAL 9010
- label window for enclosed identification labels
- label sheet 210 x 297 mm see accessory
- variants: pure white, light gray

P | Cabling

Data sheet

Page 2/8

E-DAT 6x8 surface mounted distributor Class E/Cat.6 Link, pure white

P/N
130862-26-E

EAN 4250184113287

2023/04/24

Version: AB

Technical Data

General Data

Fields of application	structured building cabling Consolidation points office areas Distributed building services
Mechanical measurement according to MICE	M1
Ingress measurement according to MICE	I1
Climatic measurement according to MICE	C1
Electromagnetic measurement according to MICE	E2
Design	patch panel
Mounting style	AP
Shielding	shielded
Transmission technology	Copper
Wiring	T568A, T568B
Color	Pure white RAL 9010
Dimensions	
Dimension (L x W x H)	118 mm x 121.5 mm x 37.7 mm
Dimension (L x W x H)	4.646 in. x 4.783 in. x 1.484 in.
Labeling option	label window with identification label

Transmission characteristics

Category (ISO)	5e
Class (ISO/IEC)	E
Category (TIA)	5e
Remote Powering	yes
PoE	IEEE 802.3af
PoE plus	IEEE 802.3at
UPoE	yes
4PPoE	IEEE 802.3bt
HDBaseT	yes
Transmission rate up to 100 MBit (Fast Ethernet)	IEEE 802.3bw
Transmission rate up to 1 GBit (Fast Ethernet)	IEEE 802.3ab

P | Cabling

Data sheet

Page 3/8

E-DAT 6x8 surface mounted distributor Class E/Cat.6 Link, pure white

P/N

130862-26-E

EAN 4250184113287

2023/04/24

Version: AB

Technical Data

Connections/interfaces

Connector technology interface 1	LSA terminal block
Connector technology interface 2	RJ45-jack
Number of ports interface 2	6
Number of ports interface 2 equipped	6
Number of positions/contacts interface 1	6 x 8
Number of positions/contacts interface 2	6 x 8P/8C
Termination data, solid wire (min. - max.)	
Conductor cross section, solid wire	AWG 26/1 - AWG 22/1
Conductor cross section, solid wire	0.128 mm ² - 0.324 mm ²
Conductor diameter, solid wire (bare copper)	0.409 mm - 0.643 mm
Conductor diameter, solid wire (bare copper)	0.016 in. - 0.025 in.
Cable access/outlet	180°
Ground connection	grounding bolt M6x10 with nut and lock washer
Shield connection	flexible contact spring

Electrical characteristics

Current carrying capacity	max. 1 A at 60 °C
Rated voltage	max. 60 V DC
Contact resistance	max. 20 mOhm
Through resistance	max. 200 mOhm
Insulation resistance	max. 500 MOhm
Dielectric strength conductor-conductor (secondary)	min. 1000 V DC
Dielectric strength conductor-conductor, peak value (secondary)	max. 1.000 V AC
Dielectric strength conductor-shield	min. 1500 V DC
Dielectric strength conductor-shield, peak value	max. 1500 V AC

Mechanical data

Insertion and withdrawal force	max. 30 N
Life - Number of mating cycles	min. 750
Position/mounting of latch standard installation position	top
strain relief	cable bracket

P | Cabling

Data sheet

Page 4/8

E-DAT 6x8 surface mounted distributor Class E/Cat.6 Link, pure white

P/N
130862-26-E

EAN 4250184113287

2023/04/24

Version: AB

Technical Data

Materials and material properties

Material - Terminal block housing	PBT (polybutylene terephthalate)
Material - Jack contact	Hyper Ph-Br
Material - Jack contact finish	AuCo
Material - Terminal block contact	CuSn6
Material - Terminal block contact finish	Sn (tin)
Material - Jack shield	CuSn6
Material - Cover	Al (Aluminium)
Material - Module support	Al (Aluminium)
Material - Module support finish	powder-coated
Halogen free	yes
RoHS	compliant

Environmental conditions

Temperature (min. - max.)	
Temperature - Storage °C	-40 °C - 70 °C
Temperature - Storage °F	-40 °F - 158 °F
Temperature - Operating °C	-40 °C - 70 °C
Temperature - Operating °F	-40 °F - 158 °F

Standards/Regulations

Generic cabling systems	
General requirements	ISO/IEC 11801-1:2017-11 DIN EN 50173-1:2018-10 ANSI/TIA-568.2-D
Office buildings	ISO/IEC 11801-2:2017-11 DIN EN 50173-2:2018-10 ANSI/TIA-568.2-D
Living units	ISO/IEC 11801-4:2017-11 DIN EN 50173-4:2018-10 ANSI/TIA-570-D
Connectors for electronic equipment	
Free and fixed connectors	DIN EN 60603-7-51:2011-01, DIN EN 60603-7:2019-11, DIN EN 60603-7-1:2012-01
Connectors for electronic equipment - Tests and measurements	
Test standard for connectors (engaging and separating connectors under electrical load)	DIN-EN 60512-99-001, DIN-EN 60512-99-002
Endurance tests	DIN EN 60603-7:2019-11, DIN EN 60603-7-1:2012-01
Climate tests	DIN EN 60603-7:2019-11, DIN EN 60603-7-1:2012-01

P | Cabling

Data sheet

Page 5/8

E-DAT 6x8 surface mounted distributor Class E/Cat.6 Link, pure white

P/N

130862-26-E

EAN 4250184113287

2023/04/24

Version: AB

Technical Data

Classifications

ETIM 5.0	EC001128
ETIM 6.0	EC001128
ETIM 7.0	EC001128
ETIM 8.0	EC001128
ETIM 9.0	EC001128

Packing details

Type of packaging	1 pc(s) / box
Packaging unit - Weight (gram)	744 g
Packaging unit - Weight (pound)	1.64 lb
Packaging dimension	145 mm x 182 mm x 40 mm
Packaging dimension	5.709 in. x 7.165 in. x 1.575 in.



P | Cabling

Data sheet

**E-DAT 6x8 surface mounted distributor Class E/Cat.6 Link,
pure white**

Page 6/8

P/N
130862-26-E

EAN 4250184113287

2023/04/24

Version: AB

Accessories

P/N	Designation
899789-01	Label sheet for E-DAT C6 and E-DAT design patch panels

© 2023 METZ CONNECT - Technische Änderungen vorbehalten! Subject to modifications! Sous réserve de modifications techniques!



P | Cabling

Data sheet

E-DAT 6x8 surface mounted distributor Class E/Cat.6 Link, pure white

Page 7/8

P/N
130862-26-E

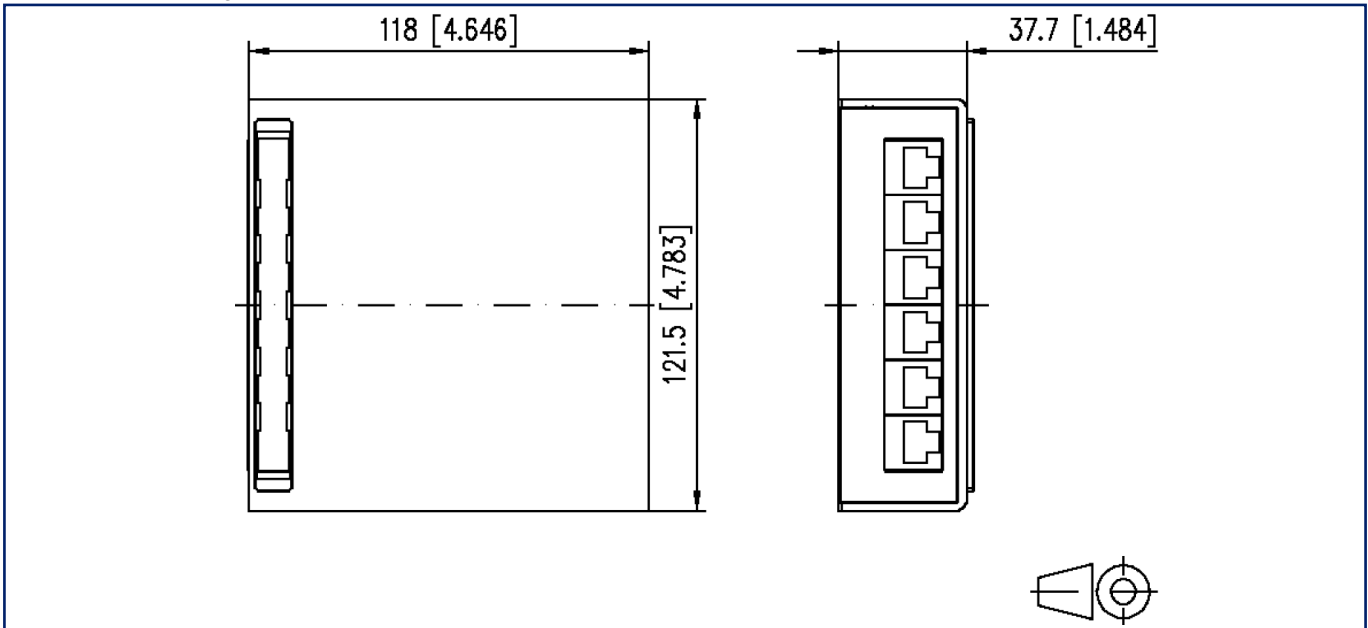
EAN 4250184113287

2023/04/24

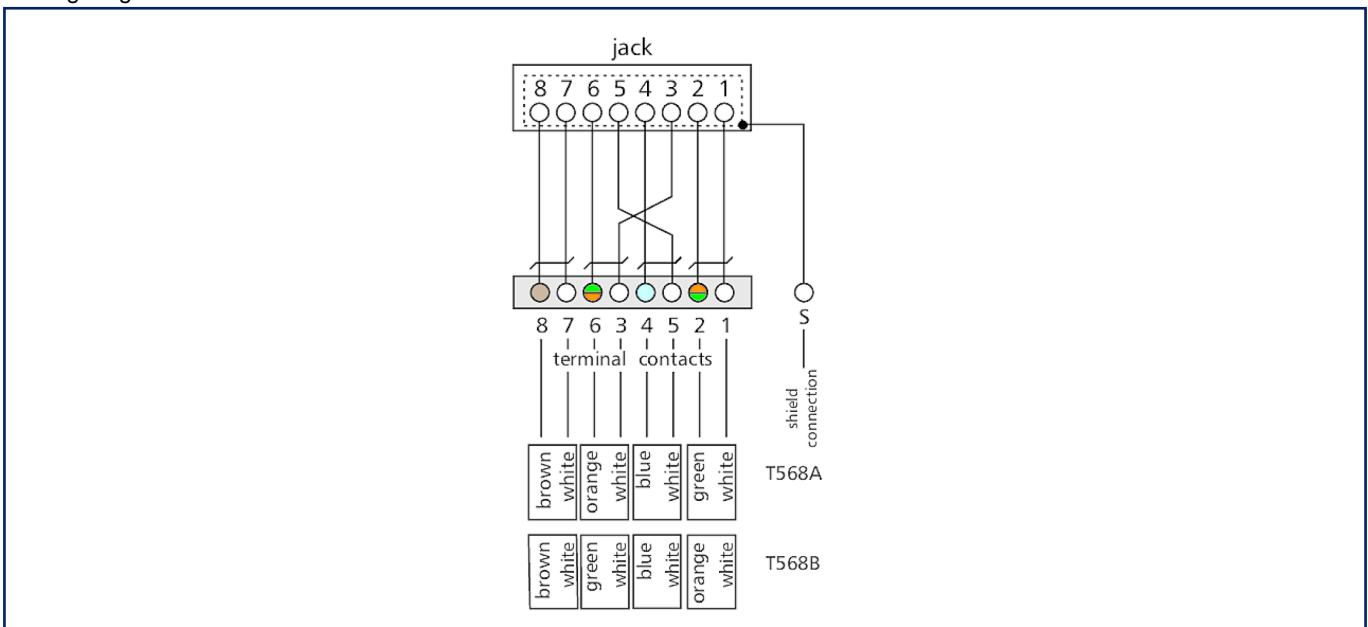
Version: AB

Illustrations

Dimensional drawing



Wiring diagram



P | Cabling

Data sheet

**E-DAT 6x8 surface mounted distributor Class E/Cat.6 Link,
pure white**

Page 8/8

P/N
130862-26-E

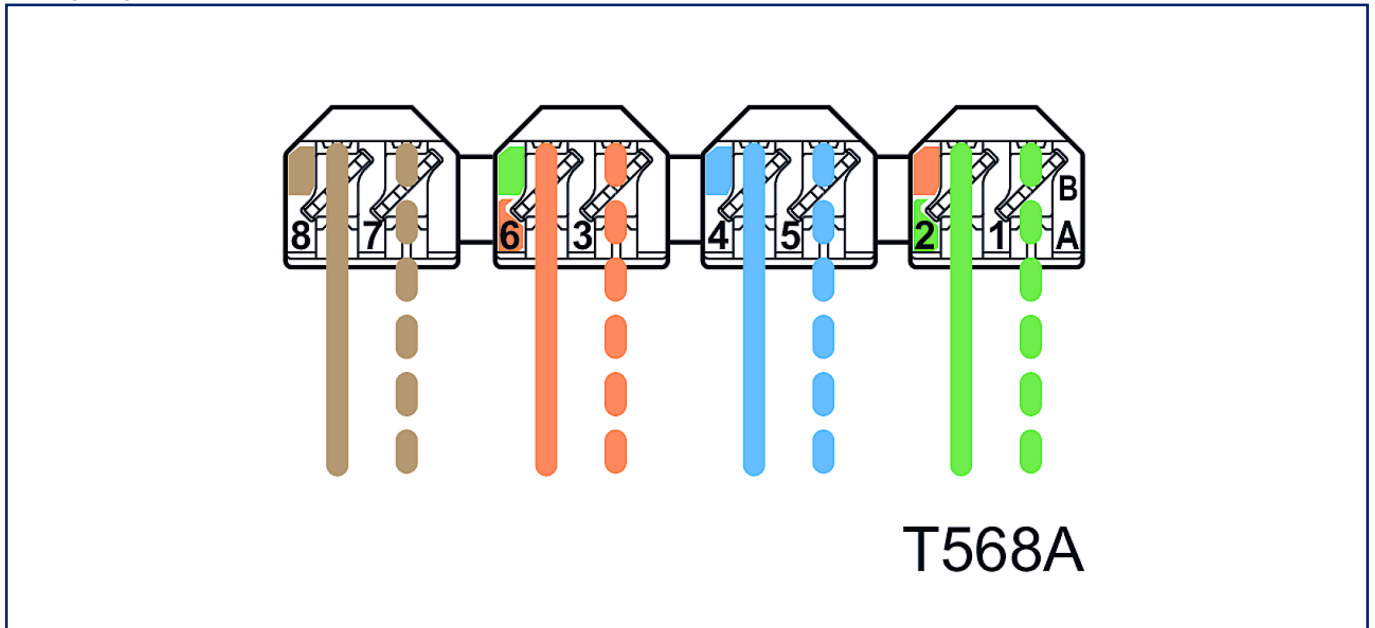
EAN 4250184113287

2023/04/24

Version: AB

Illustrations

Wiring diagram



Wiring diagram

