

Data sheet**Industry color coding clip field plug green**

Page 1/4

P/N

1401009107-I

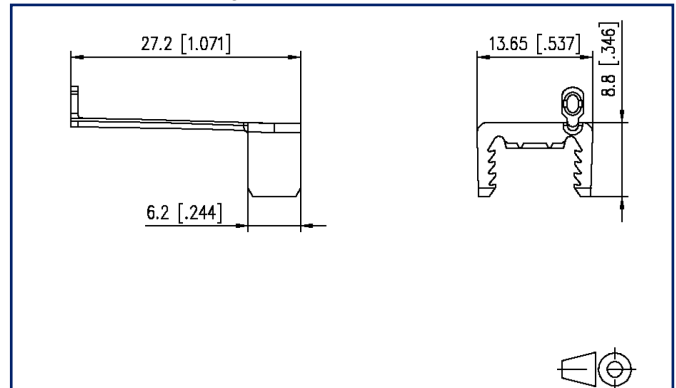
EAN 4250184115212

2023/04/04

Version: M

Illustrations

Dimensional drawing



See enlarged drawings at the end of document

Product specification

- colored, easy to actuate strain relief for E-DAT Industry IP20 RJ45 field plug
- can be mounted after assembling the plug
- variants: orange, light gray, white, yellow, blue, green, red



P | Cabling

Data sheet

Page 2/4

Industry color coding clip field plug green

P/N

1401009107-I

EAN 4250184115212

2023/04/04

Version: M

Technical Data

General Data

Mechanical measurement according to MICE	M1
Ingress measurement according to MICE	I1
Climatic measurement according to MICE	C1
Electromagnetic measurement according to MICE	E3
Mounting style	Accessories
Color	green
Dimensions	
Dimension (L x W x H)	27.2 mm x 13.65 mm x 8.8 mm
Dimension (L x W x H)	1.071 in. x 0.537 in. x 0.346 in.

Materials and material properties

Material	Plastics
Halogen free	yes
RoHS	compliant

Classifications

ETIM 5.0	EC000766
ETIM 6.0	EC000766
ETIM 7.0	EC000766
ETIM 8.0	EC000766
ETIM 9.0	EC000766

Packing details

Type of packaging	10 pc(s) / plastic bag
Packaging unit - Weight (gram)	13 g
Packaging unit - Weight (pound)	0.03 lb
Packaging dimension	160 mm x 100 mm x 380 mm
Packaging dimension	6.299 in. x 3.937 in. x 14.961 in.



P | Cabling

Data sheet

Page 3/4

Industry color coding clip field plug green

P/N

1401009107-I

EAN 4250184115212

2023/04/04

Version: M

Accessories from

P/N	Designation
1401400810PI	E-DAT Industry RJ45 field plug insert Cat.5 Class D PROFINET
1401405012-I	E-DAT Industry RJ45 field plug black Cat.6 Class E _A
1401405012PI	E-DAT Industry RJ45 field plug PROFINET

© 2023 METZ CONNECT - Technische Änderungen vorbehalten! Subject to modifications! Sous réserve de modifications techniques!



P | Cabling

Data sheet

Industry color coding clip field plug green

Page 4/4

P/N

1401009107-I

EAN 4250184115212

2023/04/04

Version: M

Illustrations

Dimensional drawing

