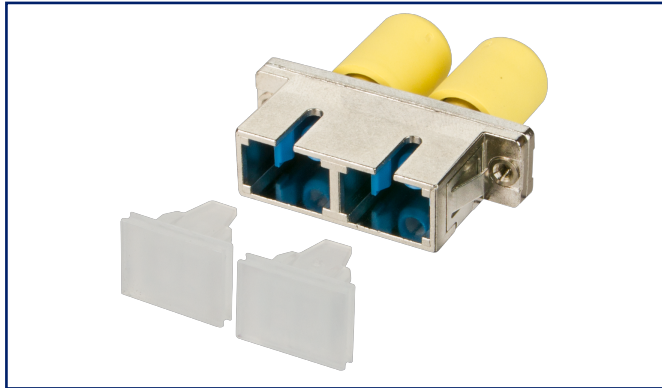


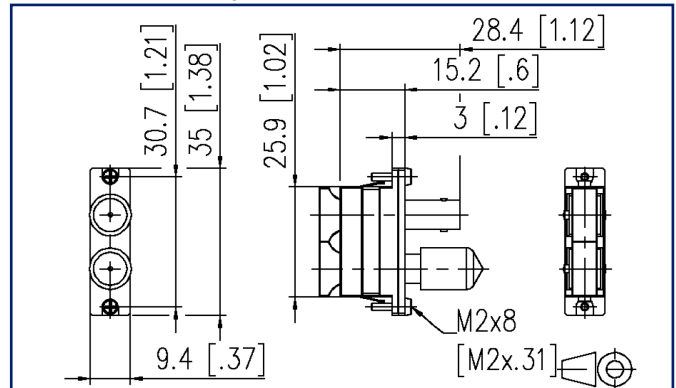
Data sheet

OpDAT adapter ST/SC-Duplex OS2

Illustrations



Dimensional drawing



See enlarged drawings at the end of document

Product specification

- ST/SC duplex adapter made of zinc die-cast
- slotted ceramic guide sleeves for single mode or multimode applications
- colored inserts in ericaviolet (OM4), aqua (OM3), blue (OS2)
- high material stability, surface quality and durability
- durability: 1000 mating cycles
- screws included
- variants: packing units of 1 piece or 30 pieces

Technical Data

General Data

Mechanical measurement according to MICE	M1
Ingress measurement according to MICE	I1
Climatic measurement according to MICE	C1
Electromagnetic measurement according to MICE	E3
Design	coupler / adapter (FO)
Transmission technology	Fiber optic
Color	metallike/blue
Dimensions	
Dimension (L x W x H)	28.3 mm x 25.6 mm x 9.4 mm
Dimension (L x W x H)	1.114 in. x 1.008 in. x 0.37 in.
Mode type of the fiber	Singlemode

Connections/interfaces

Connector technology interface 1	SC-D/ST
Connector technology interface 2	SC-D/ST
Number of ports interface 1	1
Number of ports interface 2	1
Number of equipped ports interface 1	1
Number of ports interface 2 equipped	1
Number of ports with dust protection interface 1	1
Number of ports with dust protection interface 2	1

Mechanical data

Cut-out	SC-D, LC-Q, ST-D
Connector type	duplex
Mounting method	screwable
Life - Number of mating cycles	min. 1000

Materials and material properties

Material - Housing	GD-Zn (zinc die-cast)
Material - Sleeve	ceramic, slotted
Halogen free	yes
RoHS	compliant

P | Cabling

Data sheet

Page 3/5

OpDAT adapter ST/SC-Duplex OS2

P/N

150900D3-I

EAN 4250184135265

2023/04/06

Version: P

Technical Data

Standards/Regulations

Fibre optic connector interfaces IEC 61754-4 / IEC 61754-2

Classifications

ETIM 5.0	EC000752
ETIM 6.0	EC000752
ETIM 7.0	EC000752
ETIM 8.0	EC000752
ETIM 9.0	EC000752

Packing details

Type of packaging	1 pc(s) / plastic bag
Packaging unit - Weight (gram)	24 g
Packaging unit - Weight (pound)	0.05 lb
Packaging dimension	380 mm x 160 mm x 100 mm
Packaging dimension	14.961 in. x 6.299 in. x 3.937 in.



P | Cabling

Data sheet

Page 4/5

OpDAT adapter ST/SC-Duplex OS2

P/N

150900D3-I

EAN 4250184135265

2023/04/06

Version: P

Accessories from

P/N	Designation
1502005200-E	OpDAT PF patch panel for 12xSC-Duplex/LC-Q/ST-Duplex
1502205200-E	OpDAT PA patch panel for 12xSC-Duplex/LC-Quad/ST-Duplex
150240000010E	OpDAT REGplus for 6xSC-Duplex for crimp splice holder
150240000010S	OpDAT REGplus for 6xSC-Duplex for shrink splice holder
15024A5200-E	OpDAT REGpro front cover for 6xSC-D/6xLC-Q
150250B200-E	OpDAT fix patch panel for 24xSC-Duplex/LC-Quad/ST-Duplex
150260B200-E	OpDAT slide patch panel for 24xSC-Duplex/LC-Quad/ST-Duplex



P | Cabling

Data sheet

OpDAT adapter ST/SC-Duplex OS2

Page 5/5

P/N
150900D3-I

EAN 4250184135265

2023/04/06

Version: P

Illustrations

Dimensional drawing

