

Data sheet

OpDAT adapter ST/SC-Duplex OS2 - 30 pieces

Page 1/5

P/N

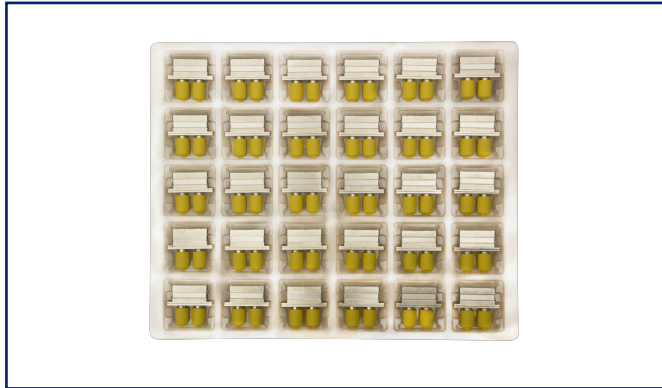
150900D3-30

EAN 4251122189531

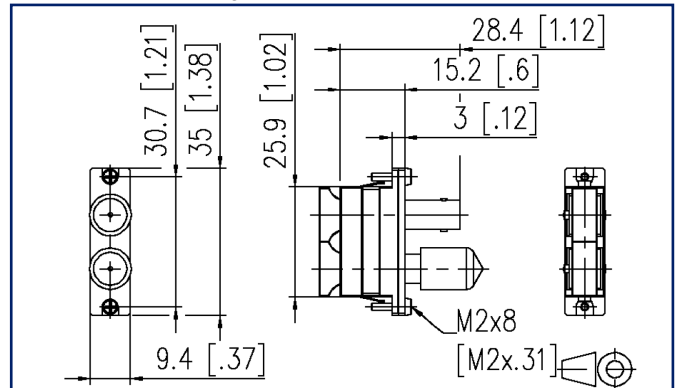
2023/04/06

Version: J

Illustrations



Dimensional drawing



See enlarged drawings at the end of document

Product specification

- ST/SC duplex adapter made of zinc die-cast
- slotted ceramic guide sleeves for single mode or multimode applications
- colored inserts in ericaviolet (OM4), aqua (OM3), blue (OS2)
- high material stability, surface quality and durability
- durability: 1000 mating cycles
- screws included
- variants: packing units of 1 piece or 30 pieces



Technical Data

General Data

Design	coupler / adapter (FO)
Transmission technology	Fiber optic
Color	metallike/blue
Dimensions	
Dimension (L x W x H)	28.3 mm x 25.6 mm x 9.4 mm
Dimension (L x W x H)	1.114 in. x 1.008 in. x 0.37 in.
Mode type of the fiber	Singlemode

Connections/interfaces

Connector technology interface 1	SC-D/ST
Connector technology interface 2	SC-D/ST
Number of ports interface 1	1
Number of ports interface 2	1
Number of equipped ports interface 1	1
Number of ports interface 2 equipped	1
Number of ports with dust protection interface 1	1
Number of ports with dust protection interface 2	1

Mechanical data

Cut-out	SC-D, LC-Q, ST-D
Connector type	duplex
Mounting method	screwable
Life - Number of mating cycles	min. 1000

Materials and material properties

Material - Housing	GD-Zn (zinc die-cast)
Material - Sleeve	ceramic, slotted
Halogen free	yes
RoHS	compliant



P | Cabling

Data sheet

Page 3/5

OpDAT adapter ST/SC-Duplex OS2 - 30 pieces

P/N

150900D3-30

EAN 4251122189531

2023/04/06

Version: J

Technical Data

Standards/Regulations

Fibre optic connector interfaces	IEC 61754-4 / IEC 61754-2
----------------------------------	---------------------------

Classifications

ETIM 5.0	EC000752
ETIM 6.0	EC000752
ETIM 7.0	EC000752
ETIM 8.0	EC000752

Packing details

Type of packaging	1 pc(s) / plastic bag
Packaging dimension	380 mm x 160 mm x 100 mm
Packaging dimension	14.961 in. x 6.299 in. x 3.937 in.

P | Cabling

Data sheet

Page 4/5

OpDAT adapter ST/SC-Duplex OS2 - 30 pieces

P/N

150900D3-30

EAN 4251122189531

2023/04/06

Version: J

Accessories from

P/N	Designation
1502005200-E	OpDAT PF patch panel for 12xSC-Duplex/LC-Q/ST-Duplex
1502205200-E	OpDAT PA patch panel for 12xSC-Duplex/LC-Quad/ST-Duplex
150240000010E	OpDAT REGplus for 6xSC-Duplex for crimp splice holder
150240000010S	OpDAT REGplus for 6xSC-Duplex for shrink splice holder
15024A5200-E	OpDAT REGpro front cover for 6xSC-D/6xLC-Q
150250B200-E	OpDAT fix patch panel for 24xSC-Duplex/LC-Quad/ST-Duplex



P | Cabling

Data sheet

Page 5/5

OpDAT adapter ST/SC-Duplex OS2 - 30 pieces

P/N

150900D3-30

EAN 4251122189531

2023/04/06

Version: J

Illustrations

Dimensional drawing

