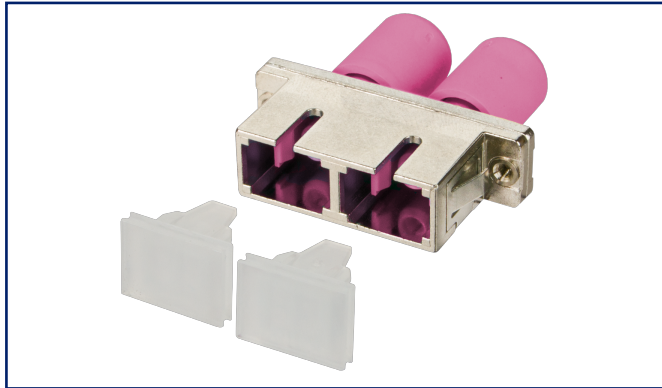


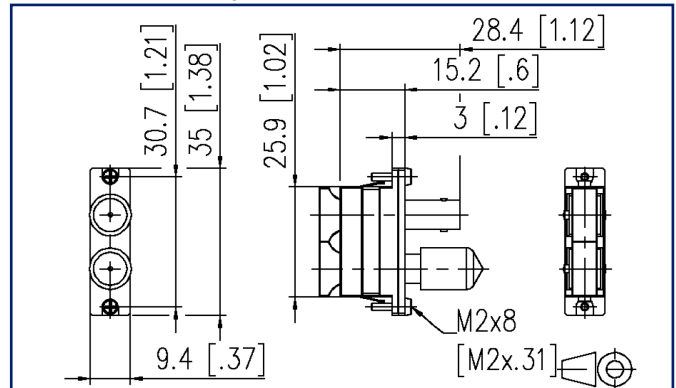
## Data sheet

### OpDAT adapter ST/SC-Duplex OM4

## Illustrations



Dimensional drawing



See enlarged drawings at the end of document

## Product specification

- ST/SC duplex adapter made of zinc die-cast
- slotted ceramic guide sleeves for single mode or multimode applications
- colored inserts in ericaviolet (OM4), aqua (OM3), blue (OS2)
- high material stability, surface quality and durability
- durability: 1000 mating cycles
- screws included
- variants: packing units of 1 piece or 30 pieces



### Technical Data

#### General Data

|   |                                  |
|---|----------------------------------|
| Mechanical measurement according to MICE      | M1                               |
| Ingress measurement according to MICE         | I1                               |
| Climatic measurement according to MICE        | C1                               |
| Electromagnetic measurement according to MICE | E3                               |
| Design  | coupler / adapter (FO)           |
| Transmission technology                       | Fiber optic                      |
| Color   | metallike/violet                 |
| Dimensions                                    |                                  |
| Dimension (L x W x H)                         | 28.3 mm x 25.6 mm x 9.4 mm       |
| Dimension (L x W x H)                         | 1.114 in. x 1.008 in. x 0.37 in. |
| Mode type of the fiber                        | Singlemode                       |

#### Connections/interfaces

|  |         |
|--|---------|
| Connector technology interface 1                 | SC-D/ST |
| Connector technology interface 2                 | SC-D/ST |
| Number of ports interface 1                      | 1       |
| Number of ports interface 2                      | 1       |
| Number of equipped ports interface 1             | 1       |
| Number of ports interface 2 equipped             | 1       |
| Number of ports with dust protection interface 1 | 1       |
| Number of ports with dust protection interface 2 | 1       |

#### Mechanical data

|                                |                  |
|--------------------------------|------------------|
| Cut-out                        | SC-D, LC-Q, ST-D |
| Connector type                 | duplex           |
| Mounting method                | screwable        |
| Life - Number of mating cycles | min. 1000        |

#### Materials and material properties

|                    |                       |
|--------------------|-----------------------|
| Material - Housing | GD-Zn (zinc die-cast) |
| Material - Sleeve  | ceramic, slotted      |
| Halogen free       | yes                   |
| RoHS               | compliant             |

# P | Cabling

Data sheet

Page 3/4

## OpDAT adapter ST/SC-Duplex OM4

P/N

150900C7-I

EAN 4251394630892

2023/04/11

Version: C

### Technical Data

#### Standards/Regulations

Fibre optic connector interfaces IEC 61754-4 / IEC 61754-2

#### Classifications

|          |          |
|----------|----------|
| ETIM 5.0 | EC000752 |
| ETIM 6.0 | EC000752 |
| ETIM 7.0 | EC000752 |
| ETIM 8.0 | EC000752 |
| ETIM 9.0 | EC000752 |



# P | Cabling

Data sheet

## OpDAT adapter ST/SC-Duplex OM4

Page 4/4

P/N  
150900C7-I

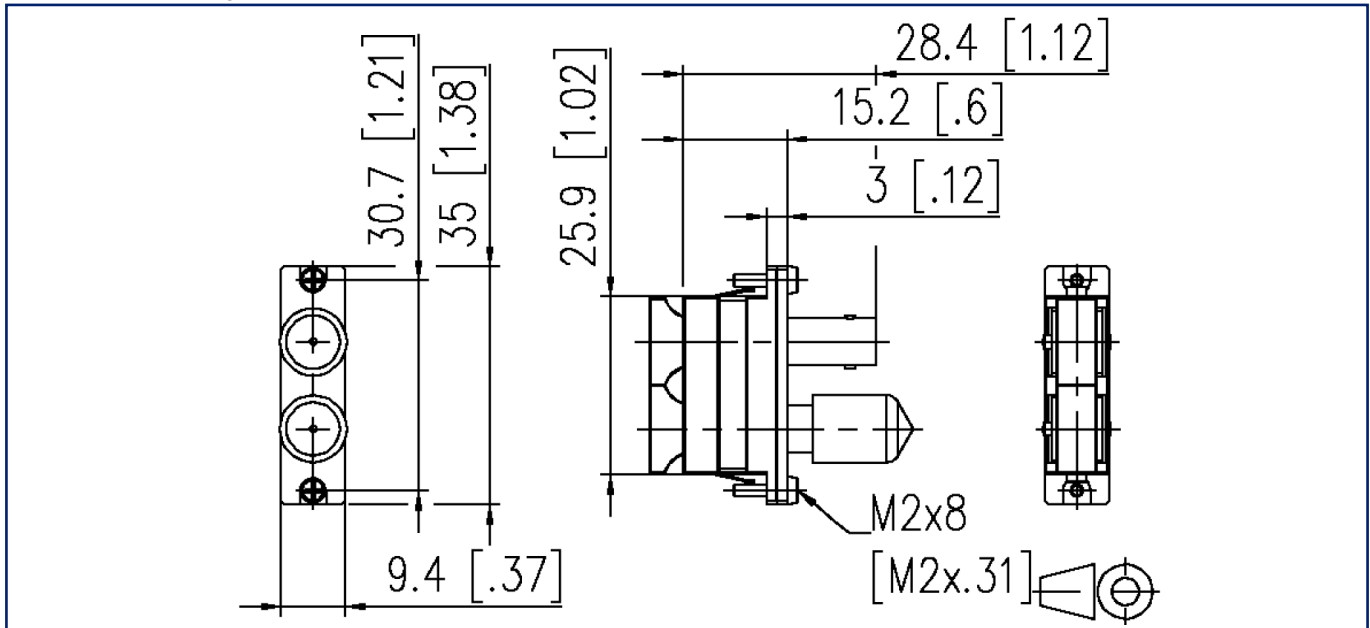
EAN 4251394630892

2023/04/11

Version: C

### Illustrations

Dimensional drawing



© 2023 METZ CONNECT - Technische Änderungen vorbehalten! Subject to modifications! Sous réserve de modifications techniques!

