

Data sheet

OpDAT adapter ST/SC-Duplex OM3 - 30 pieces

Page 1/4

P/N

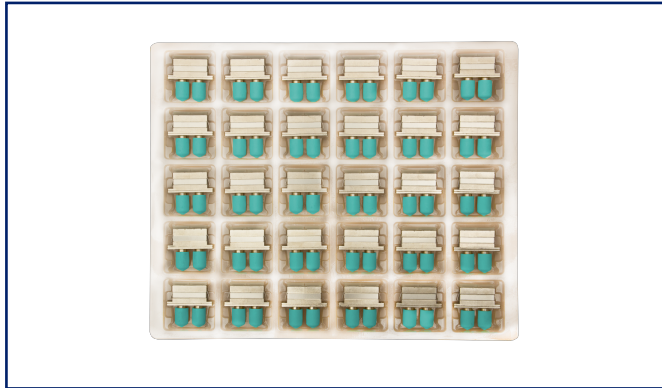
150900C5-30

EAN 4251394617688

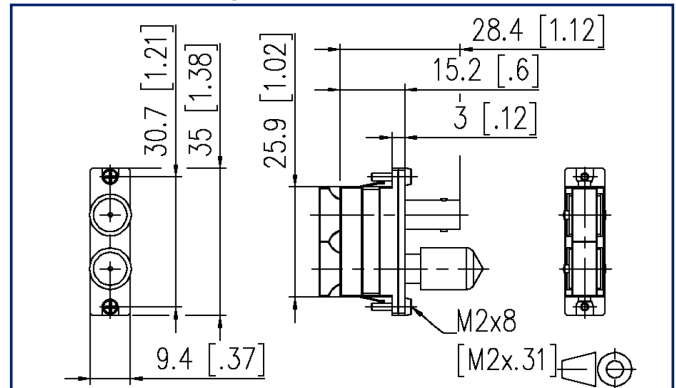
2023/04/06

Version: C

Illustrations



Dimensional drawing



See enlarged drawings at the end of document

Product specification

- ST/SC duplex adapter made of zinc die-cast
- slotted ceramic guide sleeves for single mode or multimode applications
- colored inserts in ericaviolet (OM4), aqua (OM3), blue (OS2)
- high material stability, surface quality and durability
- durability: 1000 mating cycles
- screws included
- variants: packing units of 1 piece or 30 pieces



OpDAT adapter ST/SC-Duplex OM3 - 30 pieces

P/N

150900C5-30

EAN 4251394617688

2023/04/06

Version: C

Technical Data

General Data

Mechanical measurement according to MICE	M1
Ingress measurement according to MICE	I1
Climatic measurement according to MICE	C1
Electromagnetic measurement according to MICE	E3
Design	coupler / adapter (FO)
Transmission technology	Fiber optic
Color	metallike/aqua
Dimensions	
Dimension (L x W x H)	28.3 mm x 25.6 mm x 9.4 mm
Dimension (L x W x H)	1.114 in. x 1.008 in. x 0.37 in.
Mode type of the fiber	Singlemode

Connections/interfaces

Connector technology interface 1	SC-D/ST
Connector technology interface 2	SC-D/ST
Number of ports interface 1	1
Number of ports interface 2	1
Number of equipped ports interface 1	1
Number of ports interface 2 equipped	1
Number of ports with dust protection interface 1	1
Number of ports with dust protection interface 2	1

Mechanical data

Cut-out	SC-D, LC-Q, ST-D
Connector type	duplex
Mounting method	screwable
Life - Number of mating cycles	min. 1000

Materials and material properties

Material - Housing	GD-Zn (zinc die-cast)
Material - Sleeve	ceramic, slotted
Halogen free	yes
RoHS	compliant

P | Cabling

Data sheet

Page 3/4

OpDAT adapter ST/SC-Duplex OM3 - 30 pieces

P/N

150900C5-30

EAN 4251394617688

2023/04/06

Version: C

Technical Data

Standards/Regulations

Fibre optic connector interfaces IEC 61754-4 / IEC 61754-2

Classifications

ETIM 5.0	EC000752
ETIM 6.0	EC000752
ETIM 7.0	EC000752
ETIM 8.0	EC000752
ETIM 9.0	EC000752



P | Cabling

Data sheet

Page 4/4

OpDAT adapter ST/SC-Duplex OM3 - 30 pieces

P/N

150900C5-30

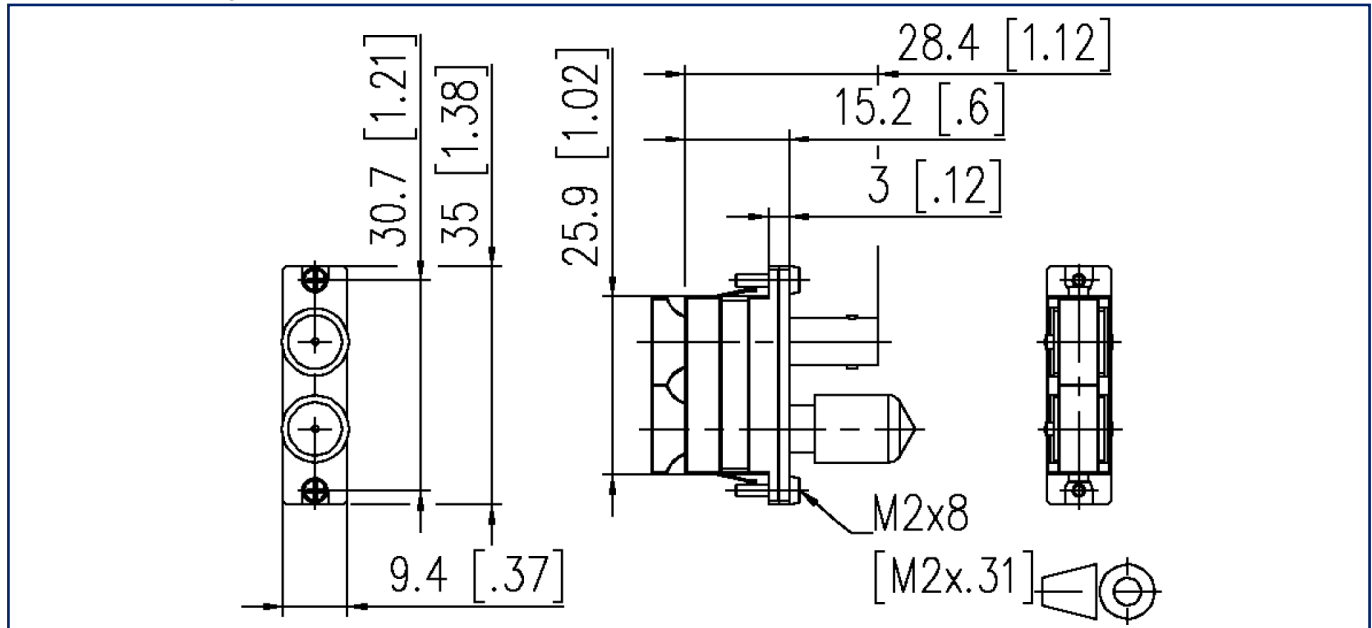
EAN 4251394617688

2023/04/06

Version: C

Illustrations

Dimensional drawing



© 2023 METZ CONNECT - Technische Änderungen vorbehalten! Subject to modifications! Sous réserve de modifications techniques!