

Data sheet

OpDAT Wall-mounted distributor S 24xLC-D APC OS2 splice

Page 1/6

P/N

1503297624-E

EAN 4251122198045

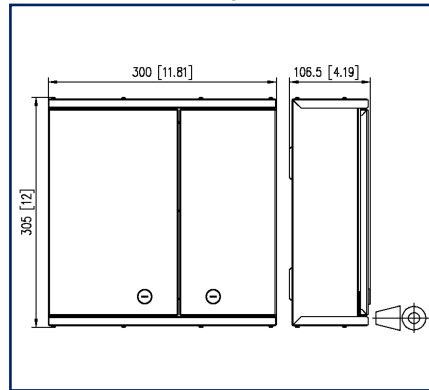
2023/10/11

Version: A

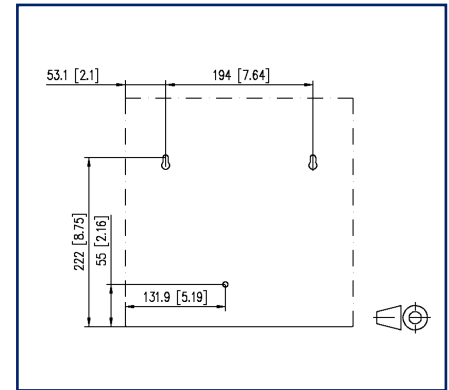
Illustrations



Dimensional drawing



Drill pattern



See enlarged drawings at the end of document

Product specification

- distributor for universal use in floor cabling or as a building distribution point in the equipment room
- equipped with LC-D APC-adapters and pigtailed
- pigtailed inserted and stripped in standard splice tray with crimp splice holders
- unused openings are closed by blind plugs
- wall-mount housing with two lockable swing doors, two different locks to separate network and building cabling
- easy, space saving wall mounting
- easy access possibilities and a secure routing of the pigtailed
- four cable infeeds (scope of supply): 2x for M20/PG16, 2x for patch cords
- variants: size S: 305x300x107 mm or size M: 405x400x107 mm

P | Cabling

Data sheet

Page 2/6

OpDAT Wall-mounted distributor S 24xLC-D APC OS2 splice

P/N

1503297624-E

EAN 4251122198045

2023/10/11

Version: A

Technical Data

General Data

| | |
|---|--|
| Fields of application | structured building cabling office areas data center |
| Mechanical measurement according to MICE | M1 |
| Ingress measurement according to MICE | I1 |
| Climatic measurement according to MICE | C1 |
| Electromagnetic measurement according to MICE | E3 |
| Design | Wall-mounted distributor |
| Mounting style | AP |
| Transmission technology | Fiber optic |
| Port numbering | yes |
| Color | green |
| Dimensions | |
| Dimension (L x W x H) | 106.5 mm x 300 mm x 305 mm |
| Dimension (L x W x H) | 4.193 in. x 11.811 in. x 12.008 in. |
| Number of cables/ buffered fibers | 48 |
| Cable Type | pigtail(s) |
| Fiber class | OS2 |
| Mode type of the fiber | Singlemode |
| Shape | APC (Angled Physical Contact) |
| Fiber construction | 9/125 µm |
| Labeling option | printed numbers |

Connections/interfaces

| | |
|--------------------------------------|--------------------|
| Connector technology interface 1 | LC-D Couplers |
| Connector technology interface 2 | LC-D Couplers |
| Number of ports interface 1 | 24 |
| Number of ports interface 2 | 24 |
| Number of equipped ports interface 1 | 24 |
| Number of ports interface 2 equipped | 24 |
| Cable access/outlet | from top or bottom |



OpDAT Wall-mounted distributor S 24xLC-D APC OS2 splice

P/N

1503297624-E

EAN 4251122198045

2023/10/11

Version: A

Technical Data

| Mechanical data | |
|--|--|
| Cut-out | SC, LC-D, E2000 |
| Connector type | duplex |
| Materials and material properties | |
| Material - Housing | sheet steel |
| Material - Housing finish | powder-coated |
| Material - Front cover | sheet steel |
| Material - Front cover finish | powder-coated |
| Material - Sleeve | ceramic, slotted |
| Material - Coupler housing | Plastics |
| Halogen free | yes |
| RoHS | compliant |
| Standards/Regulations | |
| FO connector interfaces | IEC 61754-20 |
| Optical fibers: Indoor optical cables | |
| Sectional specification for class B single-mode fibres | ISO/IEC 60793-2-50 type B.1.3 & B6_a |
| Optical fibers - Interconnecting devices and passive components - basic test and measuring methods | |
| Fibre optic interconnecting devices and passive components - Insertion loss | IEC 61300-3-4 |
| Fibre optic interconnecting devices and passive components - Return loss | IEC 61300-3-6 |
| Fibre optic interconnecting devices and passive components - Visual inspection of plug end face | IEC 61300-3-35 |
| Standard colours for insulation for low-frequency cables & wires | IEC 60304 |
| ITU-T standard | ITU-T G.657.A1 compatible with ITU-T G.652.D |
| Classifications | |
| ETIM 7.0 | EC001130 |
| ETIM 8.0 | EC001130 |
| ETIM 9.0 | EC001130 |

P | Cabling

Data sheet

Page 4/6

OpDAT Wall-mounted distributor S 24xLC-D APC OS2 splice

P/N

1503297624-E

EAN 4251122198045

2023/10/11

Version: A

Technical Data

Packing details

| | |
|-------------------|---------------|
| Type of packaging | 1 pc(s) / box |
|-------------------|---------------|

OpDAT Wall-mounted distributor S 24xLC-D APC OS2 splice

P/N

1503297624-E

EAN 4251122198045

2023/10/11

Version: A

Accessories

| P/N | Designation |
|---------------|---|
| 15032Z001-E | Cable infeed for 2xM20 for OpDAT Wall-mounted distributor S |
| 15032Z003-E | Cable infeed for 1xM25 for OpDAT Wall-mounted distributor S |
| 15032Z004-E | Cable infeed for two mounting plates VIK for OpDAT Wall-mounted distributor |
| 15032Z005-E | Cable infeed for patch cords for OpDAT Wall-mounted distributor S |
| 15032Z006-E | Cable infeed for single cable for OpDAT Wall-mounted distributor S |
| 15032Z089-E | OpDAT WV rotary bolt |
| 150800118-E | One-Click™- Cleaner Mini LC/MU |
| 15081106-E | OpDAT mounting plate VIK |
| 150811M20-E | Cable gland M20 (Clamping range 7.0 to 12.0 mm) |
| 150811M25-E | Cable gland M25 (Clamping range 10.0 to 16.0 mm) |
| 150811P1613-E | Thread reducer PG16 to PG13.5 |
| 15090200-E | OpDAT cover for splice tray |
| 15090401-E | OpDAT crimp splice protection (12 pieces) |
| 15090401-I | OpDAT crimp splice protection (150 pieces) |



P | Cabling

Data sheet

Page 6/6

OpDAT Wall-mounted distributor S 24xLC-D APC OS2 splice

P/N

1503297624-E

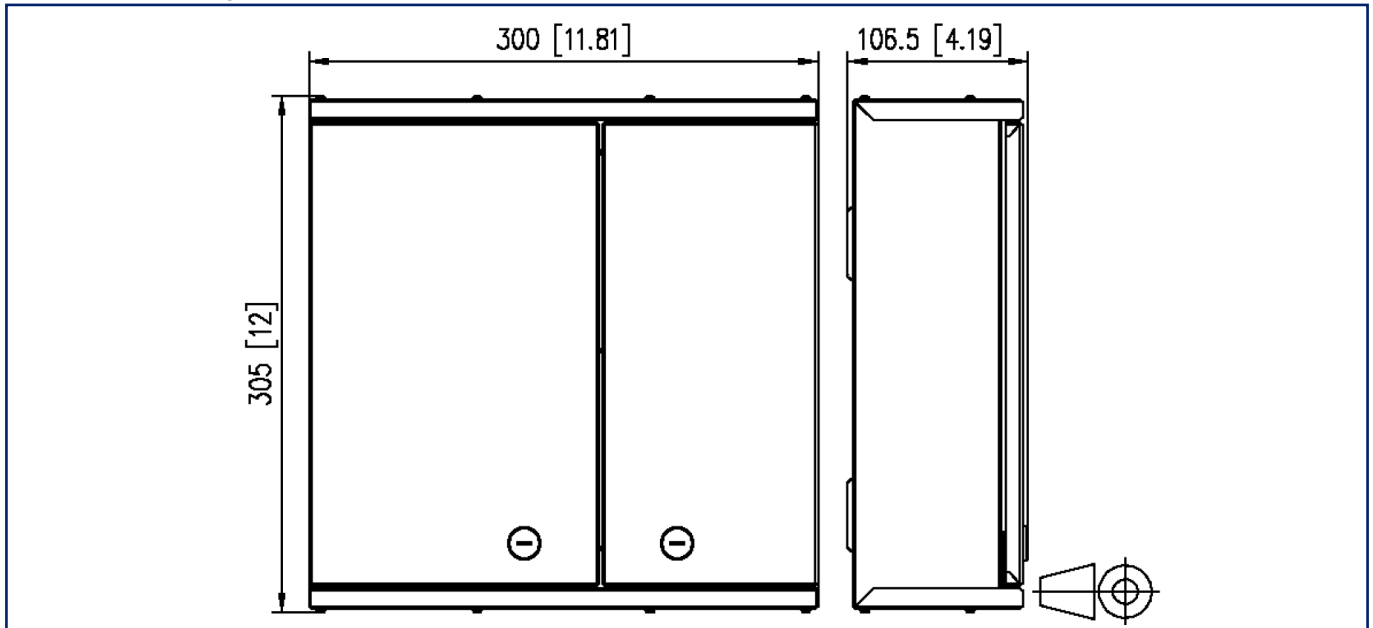
EAN 4251122198045

2023/10/11

Version: A

Illustrations

Dimensional drawing



Drill pattern

