

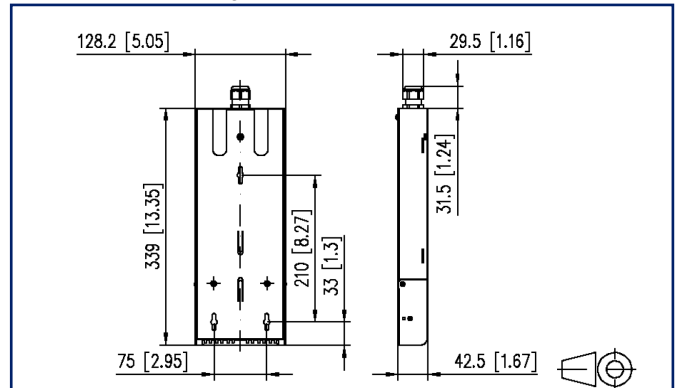
## Data sheet

### Consolidation Point splice 6xSC-D OS2

## Illustrations



Dimensional drawing



See enlarged drawings at the end of document

## Product specification

- Consolidation Point splice equipped
- Equipped with SC-D adapters, pigtails and splice tray with crimp splice protection holders
- To splice loose tube cables
- Wall-mount powder-coated steel-sheet housing, (white, RAL 9010)
- Patch area with swing-open and removable cover with label field
- Possibility for strain relief for patch cord
- Not used cutouts are closed by blind plugs
- Cable management area with separate cover
- Possible cable entry on the back side for one M20 cable gland
- If necessary order extensions or reductions for the fixing of the VIKs as separate accessory
- Supplied with material for wall-mounting



# P | Cabling

Data sheet

Page 2/6

## Consolidation Point splice 6xSC-D OS2

P/N

150309E206-E

EAN 4251122197178

2023/07/11

Version: R

### Technical Data

#### General Data

Fields of application	structured building cabling office areas fiber to the desk data center
Mechanical measurement according to MICE	M1
Ingress measurement according to MICE	I1
Climatic measurement according to MICE	C1
Electromagnetic measurement according to MICE	E3
Transmission technology	Fiber optic
Color	blue
Dimensions	
Dimension (L x W x H)	128.2 mm x 29.6 mm x 339 mm
Dimension (L x W x H)	5.047 in. x 1.165 in. x 13.346 in.
Number of cables/ buffered fibers	12
Cable Type	pigtail(s)
Fiber class	OS2
Mode type of the fiber	Singlemode
Shape	UPC (Ultra Physical Contact)
Fiber construction	9/125 µm
Labeling option	label strip / labeling strip

#### Connections/interfaces

Connector technology interface 1	SC-D Couplers
Connector technology interface 2	SC-D Couplers
Number of ports interface 1	6
Number of ports interface 2	6
Number of equipped ports interface 1	6
Number of ports interface 2 equipped	6
Number of ports with dust protection interface 2	6
Semi-tight buffered fiber pigtail length	2 m
Semi-tight buffered fiber pigtail diameter	0.9 mm
Cable access/outlet	possibility for cable entry on the back

# P | Cabling

Data sheet

Page 3/6

## Consolidation Point splice 6xSC-D OS2

P/N

150309E206-E

EAN 4251122197178

2023/07/11

Version: R

### Technical Data

Optical characteristics	
Insertion loss	max. 0,4 dB
Return loss	min. 35 dB
Mechanical data	
Connector type	duplex
strain relief	yes
Materials and material properties	
Material - Housing	sheet steel
Material - Housing finish	powder-coated
Material - Sleeve	ceramic, slotted
Halogen free	yes
RoHS	compliant
Standards/Regulations	
FO connector interfaces	IEC 61754-4
Optical fibers: Indoor optical cables	
Sectional specification for class B single-mode fibres	ISO/IEC 60793-2-50 type B.1.3 & B6_a
Optical fibers - Interconnecting devices and passive components - basic test and measuring methods	
Fibre optic interconnecting devices and passive components - Insertion loss	IEC 61300-3-4
Fibre optic interconnecting devices and passive components - Return loss	IEC 61300-3-6
Fibre optic interconnecting devices and passive components - Visual inspection of plug end face	IEC 61300-3-35
Standard colours for insulation for low-frequency cables & wires	IEC 60304
ITU-T standard	ITU-T G.657.A1 compatible with ITU-T G.652.D
Classifications	
ETIM 6.0	EC001130
ETIM 7.0	EC001130
ETIM 8.0	EC001130
ETIM 9.0	EC001130

# P | Cabling

Data sheet

Page 4/6

## Consolidation Point splice 6xSC-D OS2

P/N

150309E206-E

EAN 4251122197178

2023/07/11

Version: R

### Technical Data

#### Packing details

Type of packaging	1 pc(s) / box
Packaging dimension	470 mm x 200 mm x 60 mm
Packaging dimension	18.504 in. x 7.874 in. x 2.362 in.



# P | Cabling

Data sheet

Page 5/6

## Consolidation Point splice 6xSC-D OS2

P/N

150309E206-E

EAN 4251122197178

2023/07/11

Version: R

### Accessories

P/N	Designation
150811P1611-E	Thread reducer PG16 to PG11
150811P1613-E	Thread reducer PG16 to PG13.5
150811P1621-E	Thread enlarger PG16 to PG21
15090401-E	OpDAT crimp splice protection (12 pieces)
15090401-I	OpDAT crimp splice protection (150 pieces)

© 2023 METZ CONNECT - Technische Änderungen vorbehalten! Subject to modifications! Sous réserve de modifications techniques!

# P | Cabling

Data sheet

## Consolidation Point splice 6xSC-D OS2

Page 6/6

P/N

150309E206-E

EAN 4251122197178

2023/07/11

Version: R

### Illustrations

Dimensional drawing

