

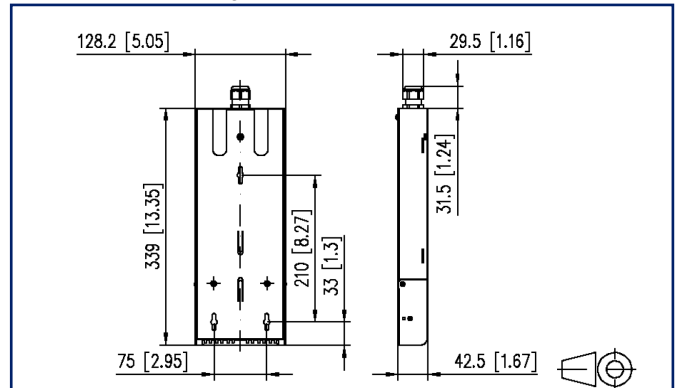
## Data sheet

### Consolidation Point splice 6xE2000-D APC OS2

## Illustrations



Dimensional drawing



See enlarged drawings at the end of document

## Product specification

- Consolidation Point splice equipped
- Equipped with E2000-D adapters, pigtails and splice tray with crimp splice protection holders
- To splice loose tube cables
- Wall-mount powder-coated steel-sheet housing, (white, RAL 9010)
- Patch area with swing-open and removable cover with label field
- Possibility for strain relief for patch cord
- Not used cutouts are closed by blind plugs
- Cable management area with separate cover
- Possible cable entry on the back side for one PG16 cable gland
- If necessary order extensions or reductions for the fixing of the VIKs as separate accessory
- Supplied with material for wall-mounting
- Variants: equipped with 6 E2000-D adapters and pigtails, all blue (OS2) or 6 E2000-D APC adapters and pigtails, all green (OS2)



# P | Cabling

Data sheet

Page 2/5

## Consolidation Point splice 6xE2000-D APC OS2

P/N

1503095F06-E

EAN 4251394603537

2023/07/11

Version: H

### Technical Data

#### General Data

Fields of application	structured building cabling office areas fiber to the desk data center
Mechanical measurement according to MICE	M1
Ingress measurement according to MICE	I1
Climatic measurement according to MICE	C1
Electromagnetic measurement according to MICE	E3
Transmission technology	Fiber optic
Color	green
Dimensions	
Dimension (L x W x H)	128.2 mm x 29.6 mm x 339 mm
Dimension (L x W x H)	5.047 in. x 1.165 in. x 13.346 in.
Number of cables/ buffered fibers	12
Cable Type	pigtail(s)
Fiber class	OS2
Mode type of the fiber	Singlemode
Shape	APC (Angled Physical Contact)
Fiber construction	9/125 µm
Labeling option	label strip / labeling strip

#### Connections/interfaces

Connector technology interface 1	E2000-D Couplers
Connector technology interface 2	E2000-D Couplers
Number of ports interface 1	6
Number of ports interface 2	6
Number of equipped ports interface 1	6
Number of ports interface 2 equipped	6
Number of ports with dust protection interface 2	6
Semi-tight buffered fiber pigtail length	2 m
Semi-tight buffered fiber pigtail diameter	0.9 mm
Cable access/outlet	possibility for cable entry on the back

## Consolidation Point splice 6xE2000-D APC OS2

P/N

1503095F06-E

EAN 4251394603537

2023/07/11

Version: H

### Technical Data

#### Optical characteristics

Insertion loss	max. 0,3 dB
Return loss	max. 65 dB

#### Mechanical data

Connector type	duplex
Life - Number of mating cycles	min. 1000
strain relief	yes

#### Materials and material properties

Material - Housing	sheet steel
Material - Housing finish	powder-coated
Material - Sleeve	ceramic, slotted
Material - Coupler housing	Plastics
Halogen free	yes
RoHS	compliant

#### Environmental conditions

Temperature (min. - max.)	
Temperature - Storage °C	-20 °C - 60 °C
Temperature - Storage °F	-4 °F - 140 °F
Temperature - Operating °C	-20 °C - 60 °C
Temperature - Operating °F	-4 °F - 140 °F

#### Standards/Regulations

FO connector interfaces	IEC 61754-15
Optical fibers: Indoor optical cables	
Sectional specification for class B single-mode fibres	ISO/IEC 60793-2-50 type B.1.3 & B6_a
Optical fibers - Interconnecting devices and passive components - basic test and measuring methods	
Fibre optic interconnecting devices and passive components - Insertion loss	IEC 61300-3-4
Fibre optic interconnecting devices and passive components - Return loss	IEC 61300-3-6
Fibre optic interconnecting devices and passive components - Visual inspection of plug end face	IEC 61300-3-35
Standard colours for insulation for low-frequency cables & wires	IEC 60304

# P | Cabling

Data sheet

Page 4/5

## Consolidation Point splice 6xE2000-D APC OS2

P/N

1503095F06-E

EAN 4251394603537

2023/07/11

Version: H

### Technical Data

#### Standards/Regulations

ITU-T standard ITU-T G.657.A1 compatible with ITU-T G.652.D

#### Classifications

ETIM 7.0 EC001130

ETIM 8.0 EC001130

ETIM 9.0 EC001130

#### Packing details

Type of packaging 1 pc(s) / box

Packaging dimension 470 mm x 200 mm x 60 mm

Packaging dimension 18.504 in. x 7.874 in. x 2.362 in.

# P | Cabling

Data sheet

Page 5/5

## Consolidation Point splice 6xE2000-D APC OS2

P/N

1503095F06-E

EAN 4251394603537

2023/07/11

Version: H

### Illustrations

Dimensional drawing

