

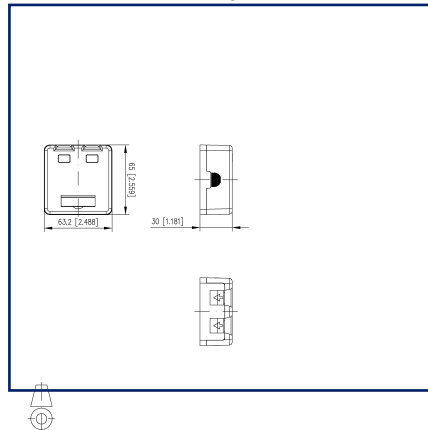
## Data sheet

### Extension box 2 port C6<sub>A</sub> modul Keystone

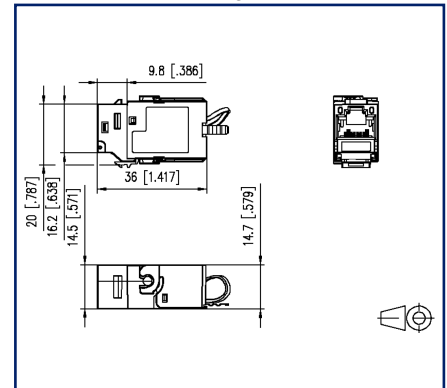
## Illustrations



Dimensional drawing



Dimensional drawing



See enlarged drawings at the end of document

## Product specification

- for the connection of the termination point meter position in the APZ area of the termination point line network (DMARC), equipped with C6<sub>A</sub> modul K 180°
- suitable for mounting on support rail in counter panel of general power supply below cover in room for additional applications to VDE-AR-N 4100
- failsafe contact with integrated dust protector slide, not sealable
- for connection of an MUC communication module
- certified to GHMT Cat.6<sub>A</sub> re-embedded PVP
- component testing for Cat.6<sub>A</sub> to ISO/IEC 11801-1, DIN EN 50173-1, ANSI/TIA-568.2-D and IEC 60603-7-51, certified to GHMT
- compliance with class E<sub>A</sub> up to 500 MHz to ISO/IEC 11801-1, DIN EN 50173-1
- tested: components up to 600 MHz, link up to 800 MHz
- suitable for 10 GBit Ethernet (IEEE 802.3an), Remote Powering (PoE, PoE plus, UPoE and 4PPoE) and HDBaseT
- connection of data lines AWG 26/1 to 22/1 (solid wire) and AWG 26/7 to 22/7 (stranded wire) to insulation displacement connectors (IDC)
- migration to 25G-systems without special tools
- plug direction of module inclined at 90° to top hat rail
- strain relief snapped on to stuffer cap
- with label window for enclosed identification labels
- cover parts in pure white RAL 9010, glossy surface
- variants: APZ 1 port, APZ 2 port

## Extension box 2 port C6<sub>A</sub>modul Keystone

P/N  
130B21D2APL-E  
EAN 4251394626536  
2023/04/24  
Version: F

### Technical Data

#### General Data

Fields of application	structured building cabling office areas
Mechanical measurement according to MICE	M1
Ingress measurement according to MICE	I1
Climatic measurement according to MICE	C1
Electromagnetic measurement according to MICE	E2
Design	wall outlet
Shielding	shielded
Transmission technology	Copper
Wiring	T568A, T568B
Color	Pure white RAL 9010
Dimensions	
Dimension (L x W x H)	65 mm x 63.2 mm x 30 mm
Dimension (L x W x H)	2.559 in. x 2.488 in. x 1.181 in.
Labeling option	label window with identification label

#### Transmission characteristics

Category (ISO)	6 <sub>A</sub>
Class (ISO/IEC)	E <sub>A</sub>
Category (TIA)	6A
Remote Powering	yes
PoE	IEEE 802.3af
PoE plus	IEEE 802.3at
UPoE	yes
4PPoE	IEEE 802.3bt
HDBaseT	yes

#### Connections/interfaces

Connector technology interface 1	IDC-connection
Connector technology interface 2	RJ45-jack
Number of ports interface 2	2
Number of ports interface 2 equipped	2
Number of positions/contacts interface 1	8

## Extension box 2 port C6<sub>A</sub>modul Keystone

P/N  
130B21D2APL-E  
EAN 4251394626536  
2023/04/24  
Version: F

### Technical Data

Connections/interfaces	
Number of positions/contacts interface 2	8P/8C
Number of ports with dust protection interface 1	2
Termination data, solid wire (min. - max.)	
Conductor cross section, solid wire	AWG 26/1 - AWG 22/1
Conductor cross section, solid wire	0.128 mm <sup>2</sup> - 0.324 mm <sup>2</sup>
Conductor diameter, solid wire (bare copper)	0.409 mm - 0.643 mm
Conductor diameter, solid wire (bare copper)	0.016 in. - 0.025 in.
Termination data, stranded wire (min. - max.)	
Conductor cross section, stranded wire	AWG 26/7 - AWG 22/7
Conductor cross section, stranded wire	0.141 mm <sup>2</sup> - 0.355 mm <sup>2</sup>
Conductor diameter, stranded wire (bare copper)	0.483 mm - 0.76 mm
Conductor diameter, stranded wire (bare copper)	0.019 in. - 0.03 in.
Cable sheath diameter (min. - max.)	
Cable sheath diameter	5.5 mm - 10.00
Cable sheath diameter	0.197 in. - 0.394
Module plug-in direction	vertical
Cable access/outlet	180°
Elektrische/ Optische Eigenschaften	
Current carrying capacity	max. 1 A
Rated voltage	max. 50 V
Contact resistance	max. 20 mOhm
Through resistance	max. 200 mOhm
Insulation resistance	min. 500 MOhm
Dielectric strength conductor-conductor (secondary)	max. 1000 V DC
Mechanical data	
Cut-out	Keystone
Insertion and withdrawal force	max. 30 N
Position/mounting of latch standard installation position	bottom
strain relief	latching clip

# P | Cabling

Data sheet

Page 4/9

## Extension box 2 port C6<sub>A</sub>modul Keystone

P/N  
130B21D2APL-E  
EAN 4251394626536  
2023/04/24  
Version: F

### Technical Data

#### Materials and material properties

Material - Housing	GD-Zn (zinc die-cast)
Material - Contact	Spring steel
Material - Contact finish	Au (gold)
Material - Shield	GD-Zn (zinc die-cast)
Material - Stuffer cap	PA 6.6 UL94 V0
Material - Finish	Ni (nickel)
RoHS	compliant

#### Environmental conditions

Rapid change of temperature	-40°C / -40°F - +70°C / 158°F / 25 cycles t=30 min
-----------------------------	--

#### Certifications

GHMT PVP		yes
----------	---	-----

#### Standards/Regulations

Generic cabling systems	
General requirements	ISO/IEC 11801-1   DIN EN 50173-1 ANSI/TIA-568.2-D
Connectors for electronic equipment - Tests and measurements	
Test standard for connectors (engaging and separating connectors under electrical load)	DIN-EN 60512-99-001, DIN-EN 60512-99-002
Endurance tests	IEC 60512-9-3: 03-2009
Interference proof	
Immunity for industrial environments	DIN EN 61000-6-2:2006-03
Climate tests	IEC 60512-11

#### Classifications

ETIM 5.0	EC001024
ETIM 6.0	EC001024
ETIM 7.0	EC001024
ETIM 8.0	EC001024
ETIM 9.0	EC001024

# P | Cabling

Data sheet

Page 5/9

## Extension box 2 port C6<sub>A</sub>modul Keystone

P/N

130B21D2APL-E

EAN 4251394626536

2023/04/24

Version: F

### Technical Data

#### Packing details

Type of packaging	1 pc(s) / plastic bag
Packaging unit - Weight (gram)	113 g
Packaging dimension	120 mm x 30 mm x 170 mm
Packaging dimension	4.724 in. x 1.181 in. x 6.693 in.



## Extension box 2 port C6<sub>A</sub>modul Keystone

P/N  
130B21D2APL-E  
EAN 4251394626536  
2023/04/24  
Version: F

### Accessories

P/N	Designation
130898-0003KI	Keystone BLIND module light gray
130898-0029KI	Keystone BLIND module black
130898-0103KI	COAX modul F jack / F jack, Keystone
130898-0203KI	COAX modul IEC jack / F jack, Keystone
130898-0303KI	COAX modul IEC plug / F jack, Keystone
130910KI	E-DAT modul Cat.6 <sub>A</sub> K jack - Keystone style
130910KZ	E-DAT modul Cat.6 <sub>A</sub> K jack - Keystone style (12 pcs)
1309A0-I	E-DAT modul coupler 8(8) 180° class E <sub>A</sub>
130A08-I-B1	UTP modul Cat.5e white
130A10-29-I-B1	UTP modul 8(8) Cat.6 black
130A10-I-B1	UTP modul 8(8) Cat.6 white
130A11-29KI	UTP modul 8(8) Cat.6 <sub>A</sub> Keystone black
130A11KI	UTP modul 8(8) Cat.6 <sub>A</sub> Keystone white
130B21-25-E	25Gmodul - Keystone
130B21-25-Z	25Gmodul - Keystone style (12 pcs)
130B21-E	C6 <sub>A</sub> modul K 180° jack - keystone style
130B21-Z	C6 <sub>A</sub> modul K 180° jack - Keystone style (12 pcs)

# P | Cabling

Data sheet

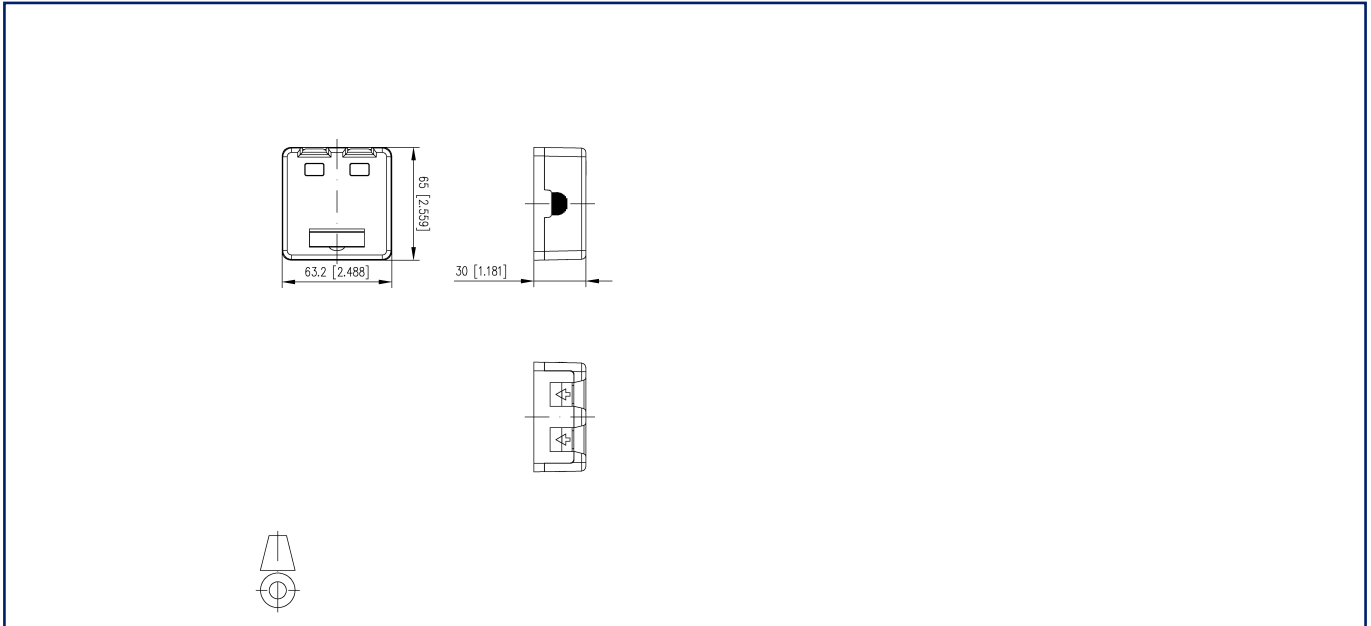
Page 7/9

## Extension box 2 port C6<sub>A</sub>modul Keystone

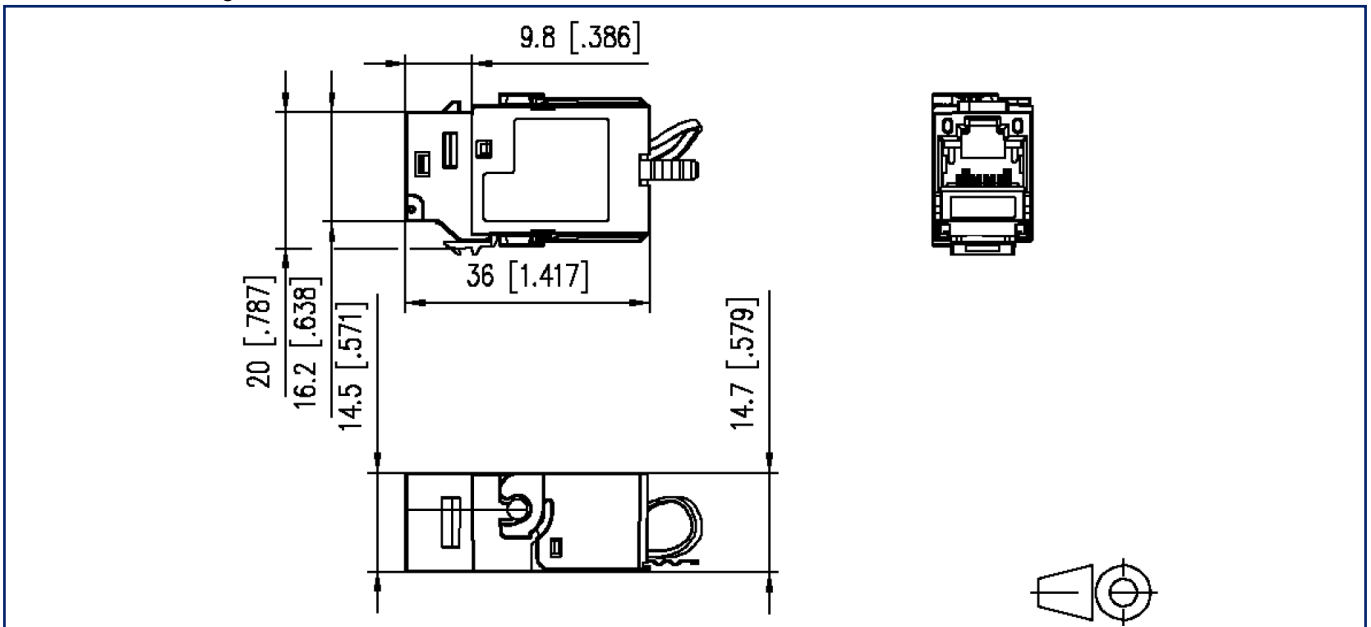
P/N  
130B21D2APL-E  
EAN 4251394626536  
2023/04/24  
Version: F

### Illustrations

Dimensional drawing



Dimensional drawing



# P | Cabling

Data sheet

Page 8/9

## Extension box 2 port C6<sub>A</sub>modul Keystone

P/N

130B21D2APL-E

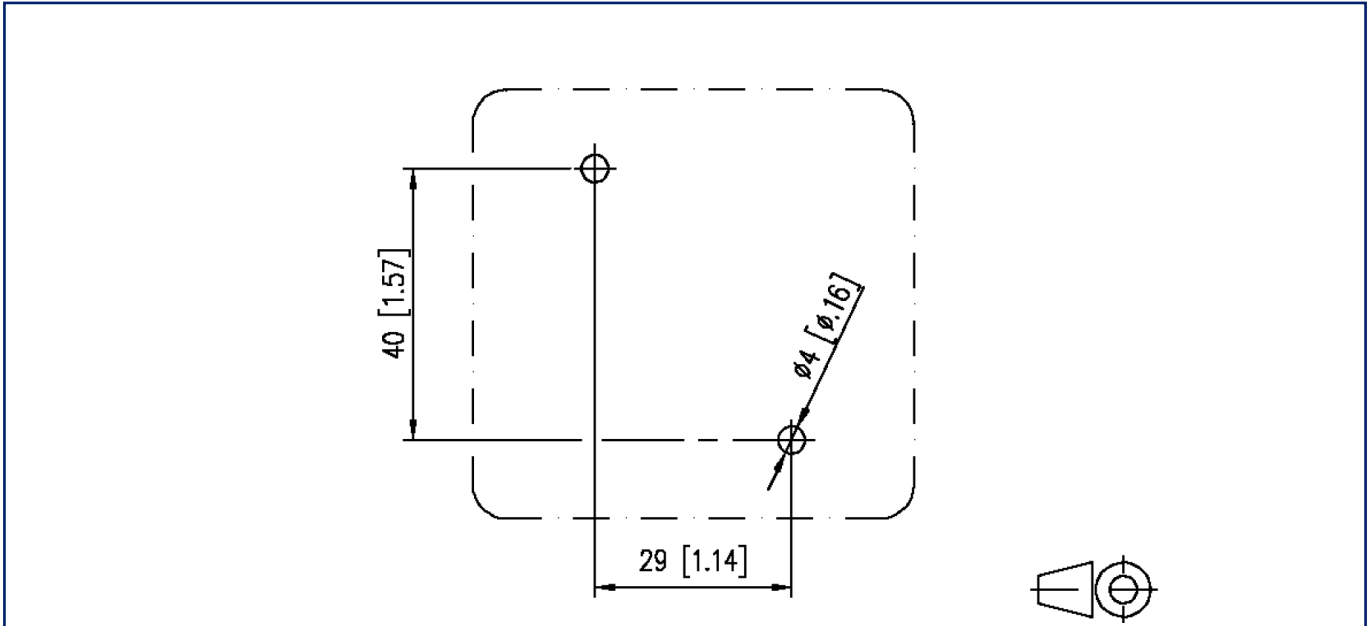
EAN 4251394626536

2023/04/24

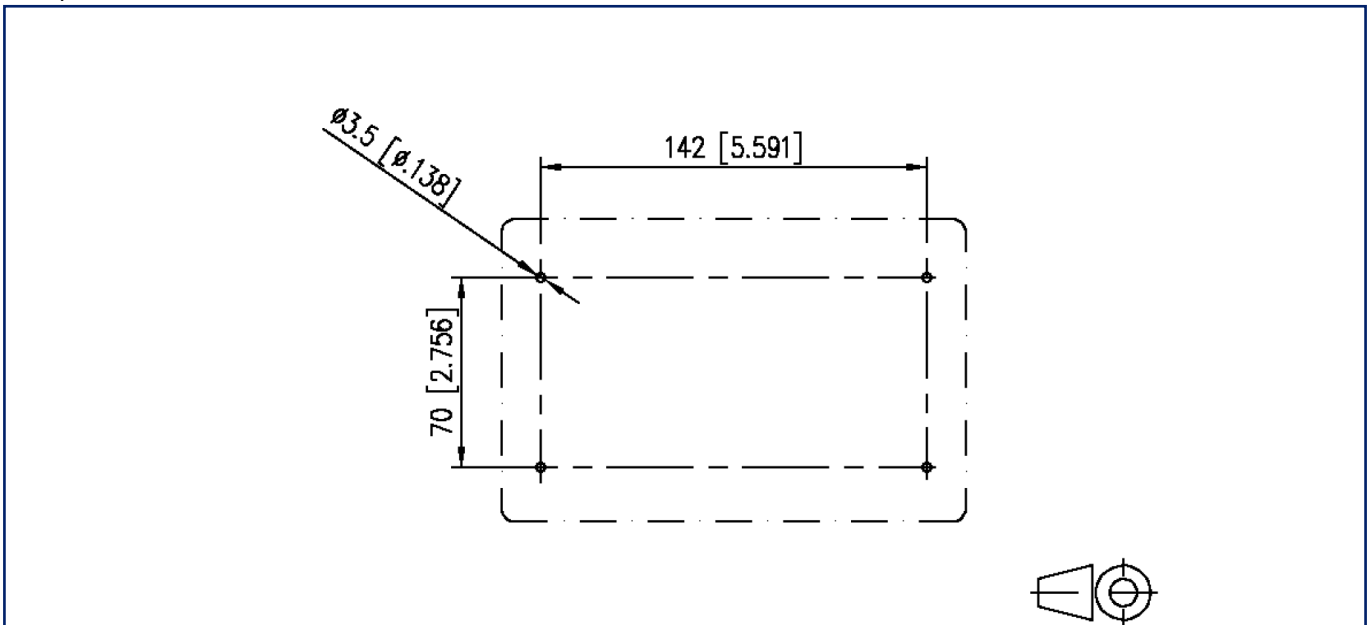
Version: F

### Illustrations

Drill pattern



Drill pattern





# P | Cabling

Data sheet

Page 9/9

## Extension box 2 port C6<sub>A</sub> modul Keystone

P/N  
130B21D2APL-E  
EAN 4251394626536  
2023/04/24  
Version: F

### Illustrations

Cut-out

