

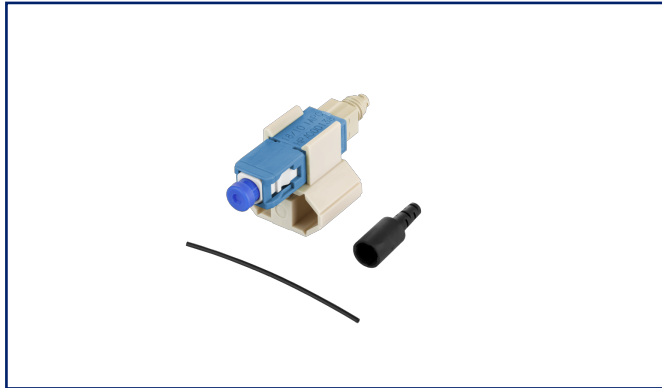
Data sheet

OpDAT FAST™ Hybrid connector kit SC UPC OS2 10 pieces for buffered fibres

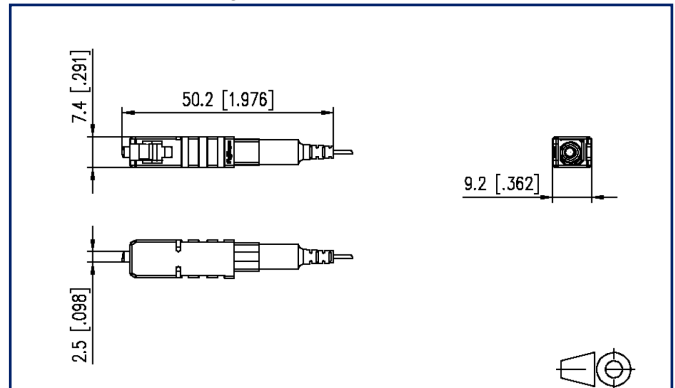
Page 1/5

P/N
1509QAE00010-E
EAN 4251394625454
2023/11/21
Version: I

Illustrations



Dimensional drawing



See enlarged drawings at the end of document

Product specification

- Field-attachable fiber optic connector for single-mode technology
- with hybrid technology: refractive index gel plus opto-elastomer guarantee very good and constant optical values
- no polishing, no gluing during assembly on site
- simple, easy to learn, fast and cost-effective installation in less than two minutes
- Available with connector types LC and SC for singlemode (UPC and APC)
- plug kits for FO fibers with \varnothing 0.25 and \varnothing 0.9 mm
- plug kits for fibre optic cables with \varnothing 2.0 and \varnothing 3.0 mm
- the plug can be assembled up to three times
- every plug has a serial number, so that traceability is possible at any time
- Included in the scope of delivery depending on the variant:
 - a maintenance-free separator (Cleaver). It provides an oblique cut so that high return loss values are achieved. The Cleaver can be used up to 200 times.
 - a cable assembly kit for easy cable assembly
 - a fiber guide for easy insertion of the fiber into the connector
- fields of application:
 - for FTTH and FITH connections, repairs in the field, in areas which are difficult to access or limited in space and for direct mounting on components
- Versions for fibers: 10 pieces without tools / 20 or 100 pieces with Cleaver and fibre guide
- Variants for cables: 10 pieces without tools / 20 or 100 pieces with Cleaver, cable assembly set and fibre guide



P | Cabling

Data sheet

Page 2/5

OpDAT FAST™ Hybrid connector kit SC UPC OS2 10 pieces for buffered fibres

P/N
1509QAE00010-E
EAN 4251394625454
2023/11/21
Version: I

Technical Data

General Data

| | |
|---|--|
| Fields of application | structured building cabling Consolidation points office areas fiber to the desk Distributed building services data center |
| Mechanical measurement according to MICE | M1 |
| Ingress measurement according to MICE | I1 |
| Climatic measurement according to MICE | C1 |
| Electromagnetic measurement according to MICE | E3 |
| Design | plug, field assembly |
| Transmission technology | Fiber optic |
| Color | blue |
| Dimensions | |
| Dimension (L x W x H) | 50 mm x 8.99 mm x 7.39 mm |
| Dimension (L x W x H) | 1.969 in. x 0.354 in. x 0.291 in. |
| Mode type of the fiber | Singlemode |
| Shape | UPC (Ultra Physical Contact) |

Connections/interfaces

| | |
|-------------------------------------|---|
| Connector technology interface 1 | mechanical splice, fibre cut diagonally |
| Connector technology interface 2 | SC |
| Single fibre diameter (min. - max.) | |
| Single fibre diameter | 0.9 mm |
| Cable access/outlet | 180° |

Electrical characteristics

| | |
|----------------|----------------|
| Insertion loss | 0,2 bis 0,5 dB |
| Return loss | min. 50 dB |



OpDAT FAST™ Hybrid connector kit SC UPC OS2 10 pieces for buffered fibres

P/N
1509QAE00010-E
EAN 4251394625454
2023/11/21
Version: I

Technical Data

Mechanical data

| | |
|--------------------------------|------------------|
| Connector type | simplex |
| Mounting method | snap-in function |
| Life - Number of mating cycles | min. 500 |

Materials and material properties

| | |
|----------------------------|---|
| Material - Housing | Plastics |
| Material - Cable boot | elastomer, flame-retardant and halogen free |
| Material - Ferrule | Ceramic |
| Material - Dust protection | elastomer, flame-retardant and halogen free |
| Halogen free | yes |

Environmental conditions

| | |
|----------------------------|-----------------|
| Temperature (min. - max.) | |
| Temperature - Storage °C | -25 °C - 70 °C |
| Temperature - Storage °F | -13 °F - 158 °F |
| Temperature - Operating °C | -25 °C - 70 °C |
| Temperature - Operating °F | -13 °F - 158 °F |

Standards/Regulations

| | |
|----------------------------------|------------------------------|
| FO connector interfaces | IEC 61754-4 / ANSI/TIA-604-3 |
| Fibre optic connector interfaces | IEC 61754-4 |

Classifications

| | |
|----------|----------|
| ETIM 7.0 | EC001122 |
| ETIM 8.0 | EC001122 |
| ETIM 9.0 | EC001122 |

Packing details

| | |
|-------------------|----------------|
| Type of packaging | 10 pc(s) / box |
|-------------------|----------------|

P | Cabling

Data sheet

Page 4/5

OpDAT FAST™ Hybrid connector kit SC UPC OS2 10 pieces for buffered fibres

P/N

1509QAE00010-E

EAN 4251394625454

2023/11/21

Version: I

Accessories

| P/N | Designation |
|-------------|----------------------|
| 150800200-E | Fibre optic tool Bag |

© 2023 METZ CONNECT - Technische Änderungen vorbehalten! Subject to modifications! Sous réserve de modifications techniques!



P | Cabling

Data sheet

Page 5/5

OpDAT FAST™ Hybrid connector kit SC UPC OS2 10 pieces for buffered fibres

P/N

1509QAE00010-E

EAN 4251394625454

2023/11/21

Version: I

Illustrations

Dimensional drawing

