

Data sheet

SM01W01VXNN04G1 13-inch Reel solder pad/solder side

Page 1/6

P/N
ASM01W0164-4G16

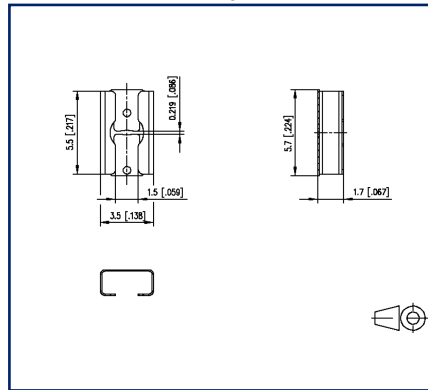
2023/06/28

Version: U

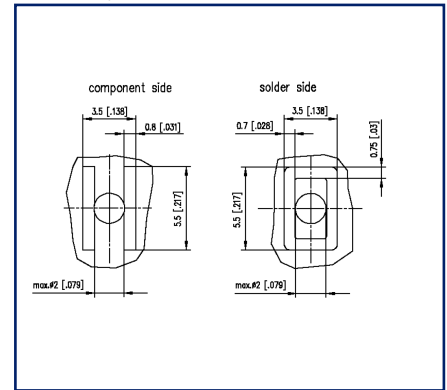
Illustrations



Dimensional drawing



PCB-Layout



See enlarged drawings at the end of document

Product specification

- spring clamp terminal block, SMT solderable
- one-way contact
- direction of connection vertical 0°
- Tape & Reel packaging

Technical Data

General Data

min. number of poles	1
max. number of poles	1
Protection category	IP00
Min. insul. strip length	4 mm
Rated current	13 A

Terminal data

rat.wiring solid AWGmax	0.1 mm ² - 0.75 mm ² / AWG 26 - AWG 18
-------------------------	--------------------------------------------------------------

Material

contact material	CuBe
Contact surface	Ni + Sn

Climatic Data

upper limit temperature	150 °C
lower limit temperature	-40 °C

general

Tolerance	ISO 2768 -mH
Solderability	Acc. to IPC/JEDEC J-STD-020D-MSL 1

Sicherheitshinweis

Safety instructions	Components have to be fixed in a way to prevent any transmission of forces on to the contact. Components with more than one pin are recommended.
---------------------	--------------------------------------------------------------------------------------------------------------------------------------------------

U | Contact

Data sheet

Page 3/6

SM01W01VXNN04G1 13-inch Reel solder pad/solder side

P/N
ASM01W0164-4G16

2023/06/28
Version: U

Counterpart

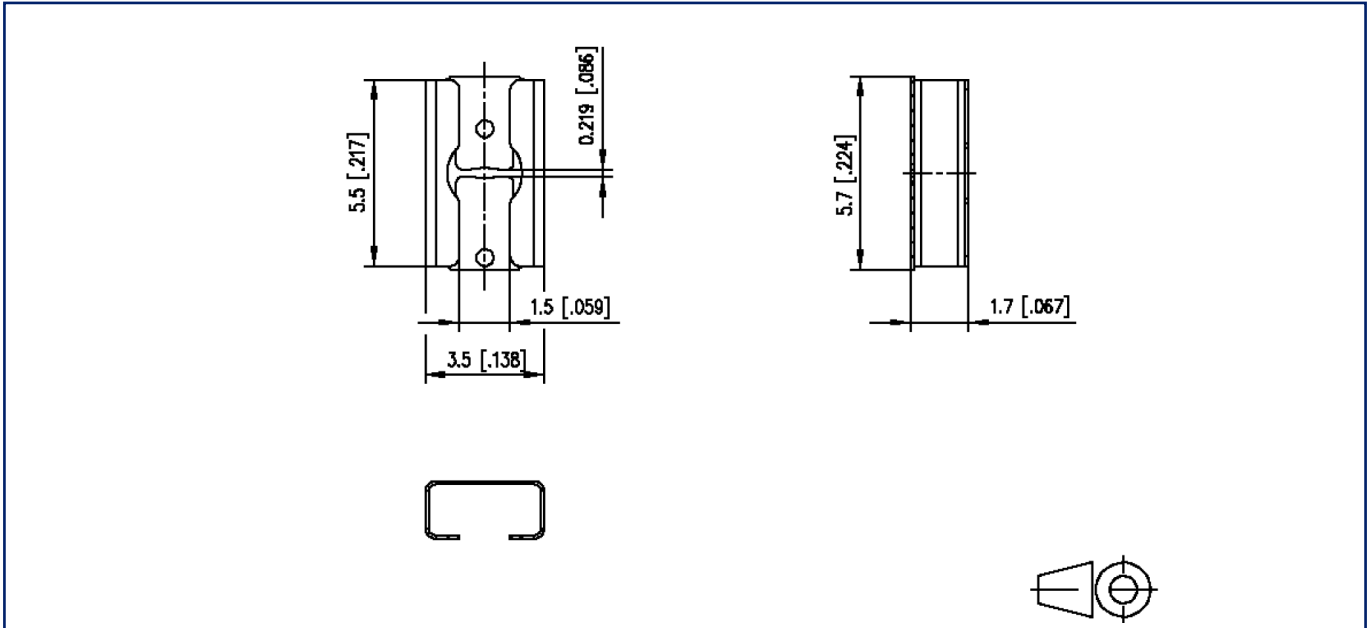
P/N	Designation
709023	Tape_ASM01Y_16mm K03547 Tape_ASM01Y_16mm

© 2023 METZ CONNECT - Technische Änderungen vorbehalten! Subject to modifications! Sous réserve de modifications techniques!

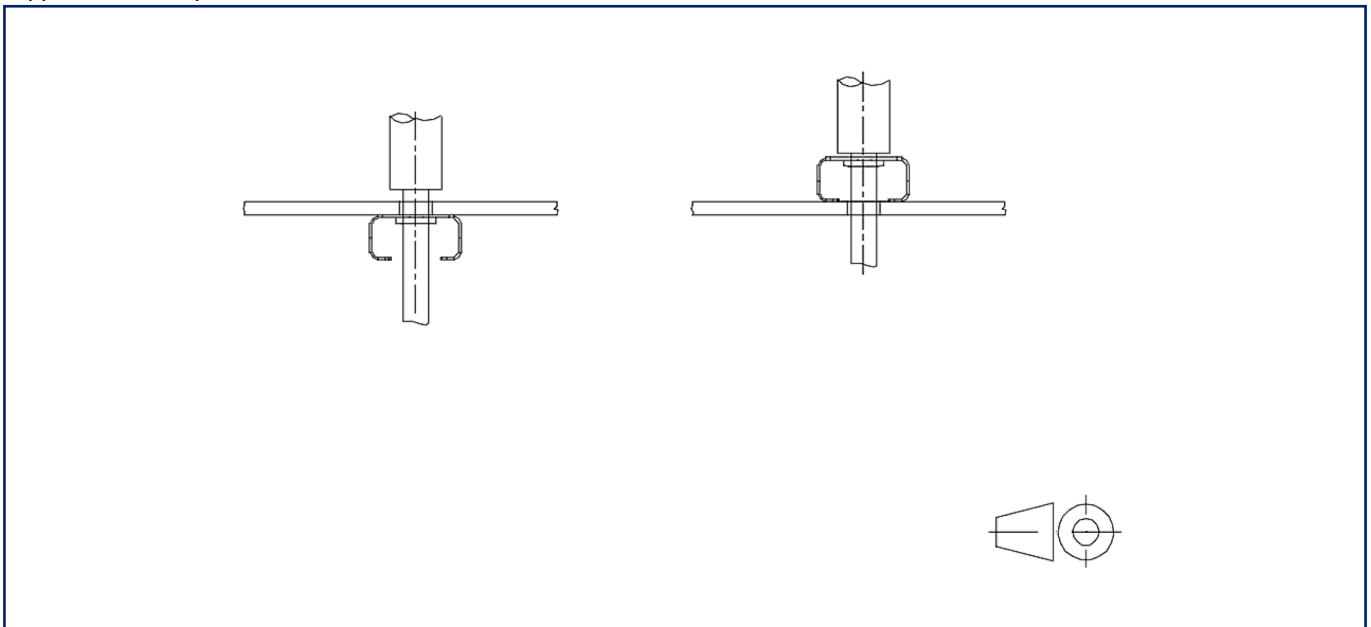


Illustrations

Dimensional drawing

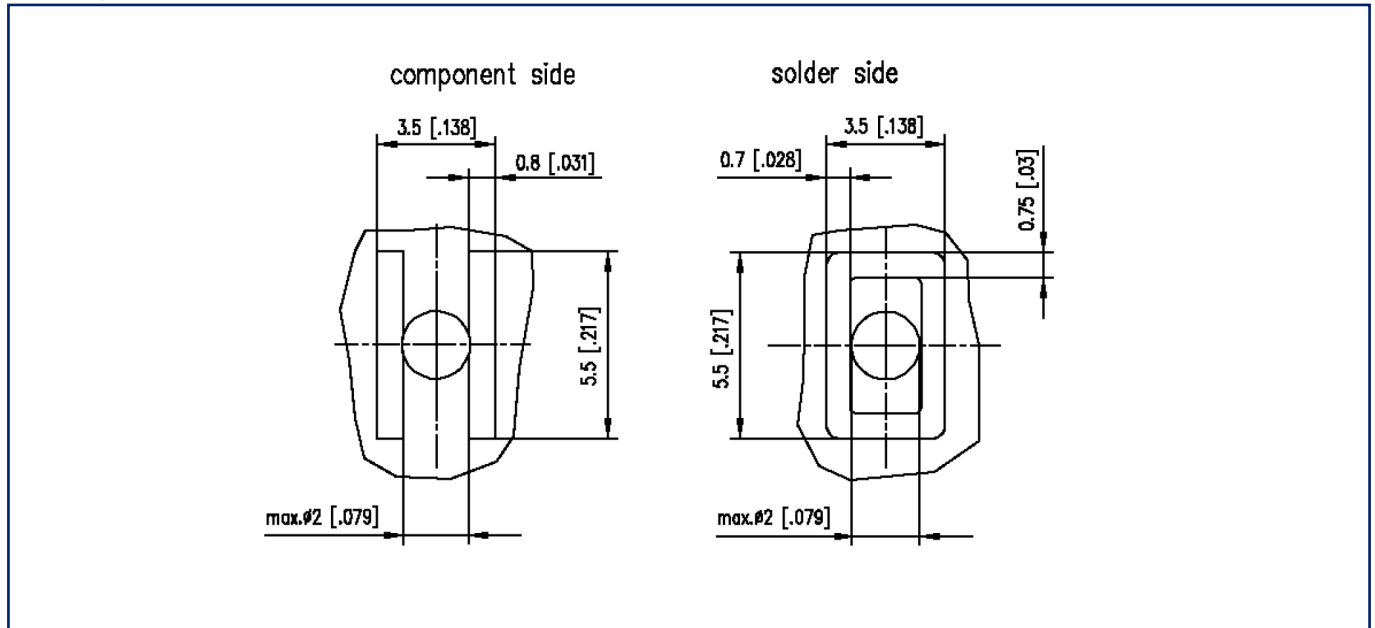


Application example



Illustrations

PCB-Layout



U | Contact

Data sheet

SM01W01VXNN04G1 13-inch Reel solder pad/solder side

Page 6/6

P/N
ASM01W0164-4G16

2023/06/28
Version: U

Illustrations