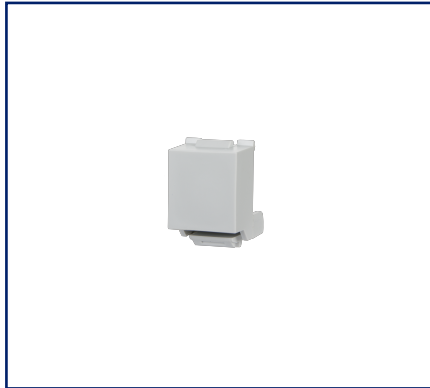


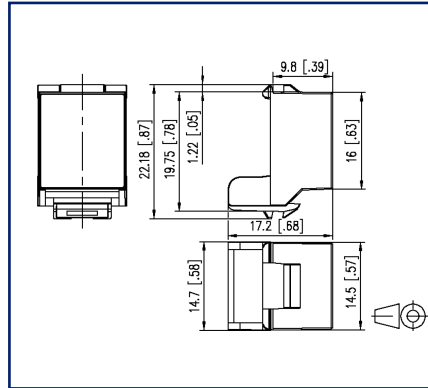
Data sheet

Keystone BLIND module light gray

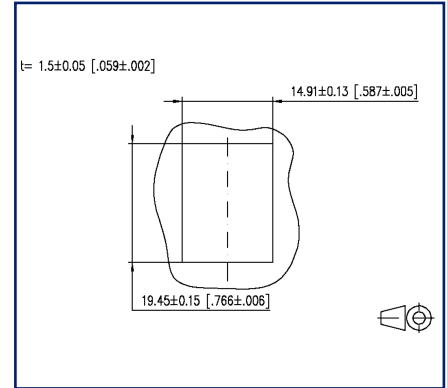
Illustrations



Dimensional drawing



Cut-out



See enlarged drawings at the end of document

Product specification

- Keystone blind module to cover empty ports of Keystone applications
- available in light gray and black

P | Cabling

Data sheet

Page 2/5

Keystone BLIND module light gray

P/N

130898-0003KI

EAN 4251122187278

2023/03/30

Version: E

Technical Data

General Data

Mechanical measurement according to MICE	M1
Ingress measurement according to MICE	I1
Climatic measurement according to MICE	C1
Electromagnetic measurement according to MICE	E3
Design	Blind module
Mounting style	Accessories
Color	light gray
Dimensions	
Dimension (L x W x H)	17.2 mm x 14.7 mm x 22.18 mm
Dimension (L x W x H)	0.677 in. x 0.579 in. x 0.873 in.

Materials and material properties

Material	Plastics
Halogen free	yes
RoHS	compliant

Classifications

ETIM 6.0	EC000723
ETIM 7.0	EC000723
ETIM 8.0	EC000723
ETIM 9.0	EC000723

Packing details

Type of packaging	10 pc(s) / plastic bag
Packaging dimension	300 mm x 200 mm x 50 mm
Packaging dimension	11.811 in. x 7.874 in. x 1.969 in.

Keystone BLIND module light gray

P/N

130898-0003KI

EAN 4251122187278

2023/03/30

Version: E

Accessories from

P/N	Designation
130861-0202KE	Keystone surface mount housing 2 port pure white, unequipped
130861-0302KE	Keystone surface mount housing 3 port pure white, unequipped
130861-0402KE	Keystone surface mount housing 4 port pure white, unequipped
130861-0602KE	Keystone surface mount housing 6 port pure white, unequipped
130861-0802KE	Keystone surface mount housing 8 port pure white, unequipped
130861-1202KE	Keystone surface mount housing 12 port pure white, unequipped
130861-1602KE	Keystone surface mount housing 16 port pure white, unequipped
130861-2402KE	Keystone surface mount housing 2x12 port pure white, unequipped
130910D1APLKE	Extension box APZ 1 port E-DAT modul Keystone
130910D2APLKE	Extension box APZ 2 port E-DAT modul keystone
130920-00KE	Keystone 19 inch module frame 1RU 24 port light gray unequipped, shielded
130920-BKKE	Keystone 19 inch module frame 1RU 24 port black unequipped, shielded
130925-GRKE	Keystone 19 inch module frame 0.5RU 24 port gray unequipped
130926-0003KE	Keystone 19 inch module frame 1RU 24 port grey unequipped, shielded
130926-0029KE	Keystone 19 inch module frame 1RU 24 port black unequipped, shielded
130926A0003KE	Keystone 19 inch module frame 1RU 24 port angeled grey unequipped, shielded
130926A0029KE	Keystone 19 inch module frame 1RU 24 port angeled black unequipped, shielded
130926AA029KE	Keystone 19 inch module frame 1RU 24 ports 133° angled, black, unequipped, shielded
130927-1200KE	SmartConnect Patchpanel 12 port Keystone, unequipped
1309428103-E	Keystone REGplus IP20 light gray unequipped
1309A0D1APLKE	Extension box APZ, 1 port, E-DAT coupler
1309A0D2APLKE	Extension box APZ, 2 port, E-DAT coupler
130A20-00-E	Keystone 19 inch module frame 1RU 24 port light gray unequipped, unshielded
130A20-BK-E	Keystone 19 inch module frame 1RU 24 port black unequipped, unshielded
130A21-00-E	Keystone 19 inch module frame 1RU 24 port stainless steel unequipped
130A24-00-E	Keystone 19 inch module frame 1.5RU 48 port stainless steel unequipped

P | Cabling

Data sheet

Page 4/5

Keystone BLIND module light gray

P/N

130898-0003KI

EAN 4251122187278

2023/03/30

Version: E

Accessories from

130B20E2E-E	Keystone module frame 3RU, 7HP 6 port stainless steel unequipped
130B21D1APL-E	Extension box APZ 1 port C6 _A modul Keystone
130B21D2APL-E	Extension box APZ 2 port C6 _A modul Keystone
130D2CKU4-E	DCCS2 subassembly 4 port unequipped - Keystone



P | Cabling

Data sheet

Keystone BLIND module light gray

Page 5/5

P/N

130898-0003KI

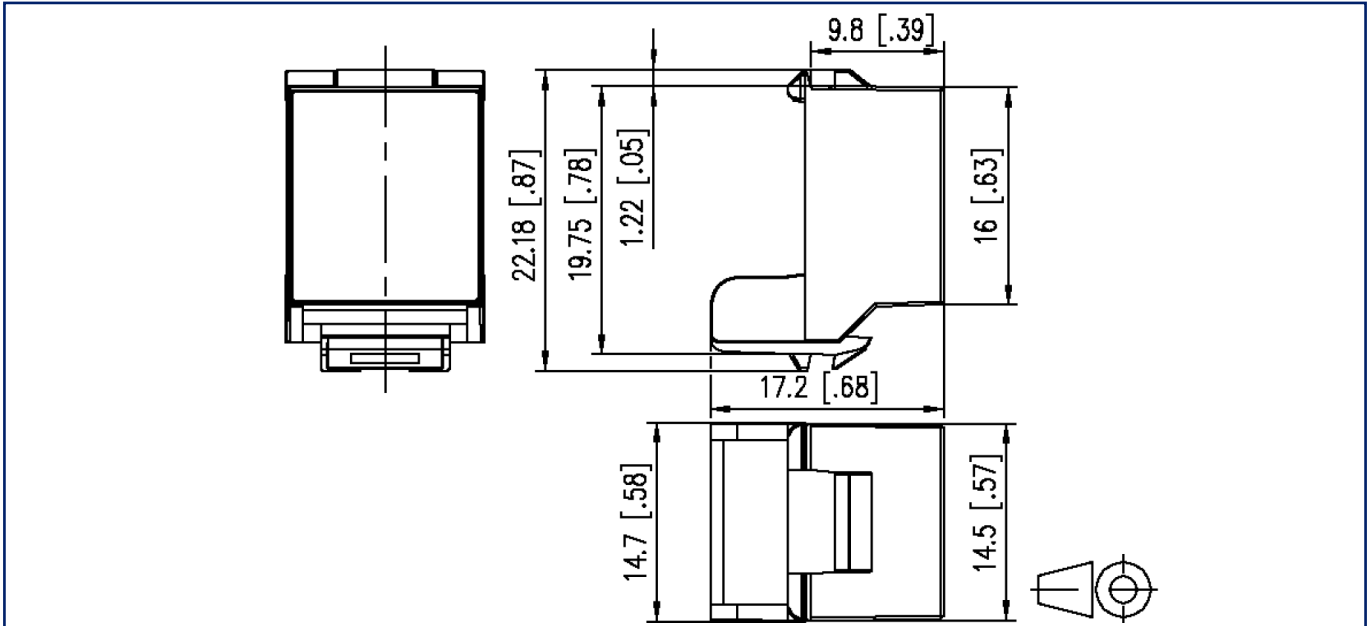
EAN 4251122187278

2023/03/30

Version: E

Illustrations

Dimensional drawing



Cut-out

