

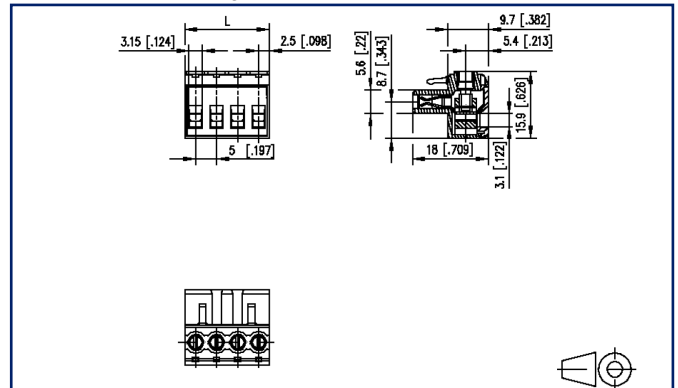
Data sheet

RP085xxVBLC Type 348

Illustrations



Dimensional drawing



See enlarged drawings at the end of document

Product specification

- screw type terminal block, pluggable
- centerline 5.00 mm, direction of connection vertical 0°
- lift system, fittable without loss of poles
- color black



Technical Data


General Data

Tightening torque SEV	0.6 Nm		
Tightening torque UL	5.3 lb-in		
min. number of poles	2		
max. number of poles	12		
Insulating material class	CTI 600		
clearance/creepage dist.	5.7 mm		
Protection category	IP20		
Min. insul. strip length	8 mm		
Rated current	12 A		
Overvoltage category	III	III	II
Pollution degree	3	2	2
Rated voltage	400 V	1000 V	1000 V
Rated test voltage	6 kV	6 kV	6 kV

Terminal data

rat.wiring solid AWGmax	0.2 mm ² - 2.5 mm ² / AWG 24 - AWG 12		
rat.wiring strand.AWGmax	0.2 mm ² - 2.5 mm ² / AWG 24 - AWG 12		

Approvals

 V / A / AWG	300 / 17 / 24 - 12		
---	--------------------	--	--

approval UL - File No.	E121004		
------------------------	---------	--	--

 2.5 mm ²	250 V / 4 kV / 12 A		
---	---------------------	--	--

Material

insulating material	PA66		
flammability class	V0		
contact material	CuSn		
Contact surface	Sn		
terminal body thread	M3		
terminal body material	CuZnPb		
terminal body surface	Ni		
screw thread	M3		
screw material	8,8		

Data sheet
RP085xxVBLC Type 348

Page 3/6

P/N
313481xx

xx=number of poles

2023/06/28

Version: Z

Technical Data

screw surface	Zn Cr(VI)-frei/free
Glow-Wire Flammability GWFI	960 °C acc. to IEC 60695-2-12
Glow-Wire Flammability GWIT	775 °C acc. to IEC 60695-2-13
Ball pressure test	125 °C acc. to IEC 60695-10-2

Climatic Data

upper limit temperature	105 °C
lower limit temperature	-40 °C

general

Tolerance	ISO 2768 -mH
-----------	--------------

U | Contact

Data sheet
RP085xxVBLC Type 348

Page 4/6

P/N
313481xx

xx=number of poles

2023/06/28

Version: Z

Accessories

P/N	Designation
700025-01-5	Kodierstern blau mit 6 Kodierstiften F_Kodier_blp
700025-01-9	Coding star white with a group of 6 coding pins
700025-02-2	F_Kodier_swg
700213-01-9	F_Kodier_weiß



U | Contact

Data sheet RP085xxVBLC Type 348

Page 5/6

P/N
313481xx

xx=number of poles

2023/06/28

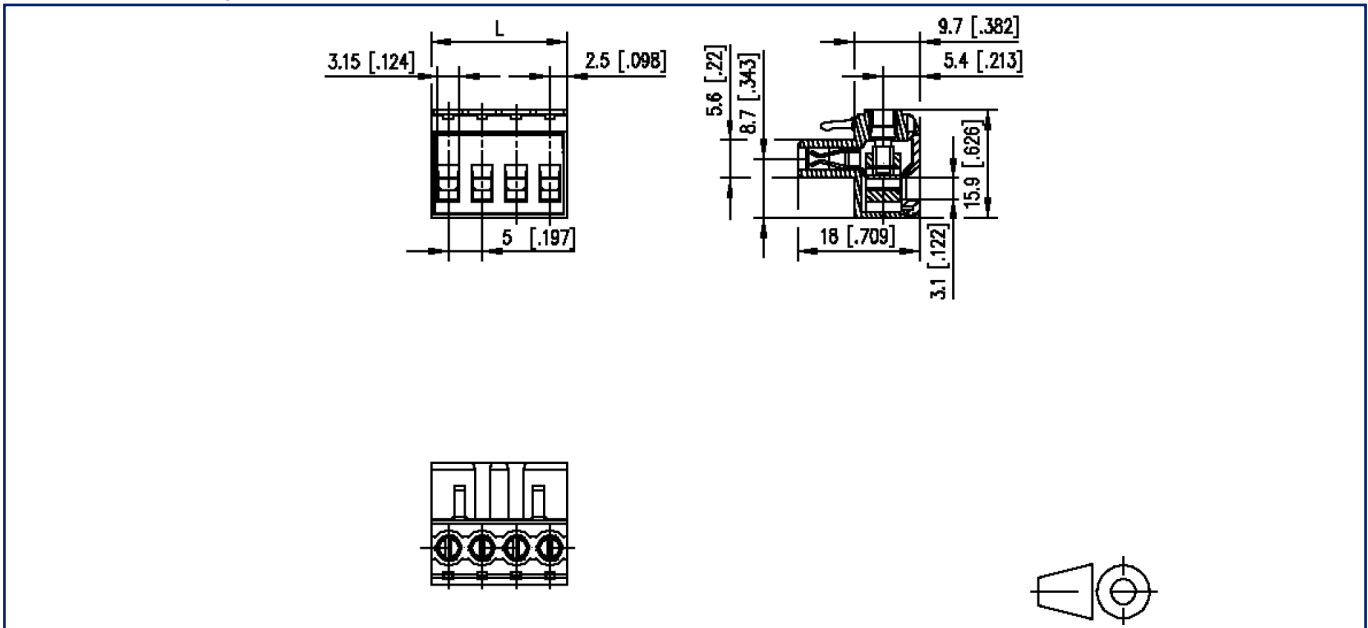
Version: Z

Counterpart

P/N	Designation
310201	PT045xxVBBN Type 020
310301	PT045xxHBBN Type 030
310311	PT045xxHBVC Typ 031
310321	PT045xxHBVN Typ 032
313371	PR075xxHBEL Type 337
313381	PR075xxHBER Type 338

Illustrations

Dimensional drawing



$L = (\text{pole size} - 1) \times \text{centerline} + 5 \text{ mm } [0.197]$