

Data sheet

RP035xxHBLC Type 313

Page 1/6

P/N
313131xx

xx=number of poles

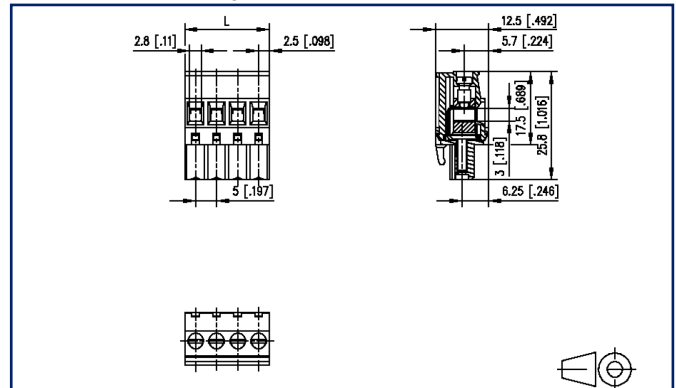
2023/06/28

Version: W

Illustrations



Dimensional drawing



See enlarged drawings at the end of document

Product specification

- screw type terminal block, pluggable
- centerline 5.00 mm, direction of connection 90°
- lift system, fittable without loss of poles
- color black
- wire entry uncodeable side perpendicular to plug direction



Technical Data

General Data

Tightening torque SEV	0.5 Nm		
Tightening torque UL	4.4 lb-in		
min. number of poles	2		
max. number of poles	24		
Insulating material class	CTI 600		
clearance/creepage dist.	3.2 mm		
Protection category	IP20		
Min. insul. strip length	8 mm		
Rated current	12 A		
Overvoltage category	III	III	II
Pollution degree	3	2	2
Rated voltage	160 V	400 V	400 V
Rated test voltage	2.5 kV	2.5 kV	2.5 kV

Terminal data

rat.wiring solid AWGmax	0.08 mm ² - 2.5 mm ² / AWG 28 - AWG 12		
rat.wiring strand.AWGmax	0.08 mm ² - 2.5 mm ² / AWG 28 - AWG 12		

Approvals

extended wiring UL	2 AWG 16-18, or 1 AWG 16 stranded with 1 AWG 18 solid, or 1 AWG 16 stranded with 1 AWG 18 stranded		
--------------------	----------------------------------------------------------------------------------------------------	--	--

 V / A / AWG	300 / 16 / 28 - 12		
-------------------------------------------------------------------------------------------------	--------------------	--	--

approval UL - File No.	E121004		
------------------------	---------	--	--

 2.5 mm ²	320 V / 4 kV / 13.5 A		
---------------------------------------------------------------------------------------------------------	-----------------------	--	--

Material

insulating material	PA66		
flammability class	V0		
contact material	CuSn		
Contact surface	Sn		
terminal body thread	M3		
terminal body material	CuZnPb		
terminal body surface	Ni		

U | Contact

Data sheet RP035xxHBLC Type 313

Page 3/6

P/N
313131xx

xx=number of poles

2023/06/28

Version: W

Technical Data

screw thread	M3
screw material	8,8
screw surface	Zn Cr(VI)-frei/free
Glow-Wire Flammability GWFI	960 °C acc. to IEC 60695-2-12
Glow-Wire Flammability GWIT	775 °C acc. to IEC 60695-2-13

Climatic Data

upper limit temperature	105 °C
lower limit temperature	-40 °C

general

Tolerance	ISO 2768 -mH
-----------	--------------

U | Contact

Data sheet
RP035xxHBLC Type 313

Page 4/6

P/N
313131xx

xx=number of poles

2023/06/28

Version: W

Accessories

P/N	Designation
700025-01-9	Coding star white with a group of 6 coding pins

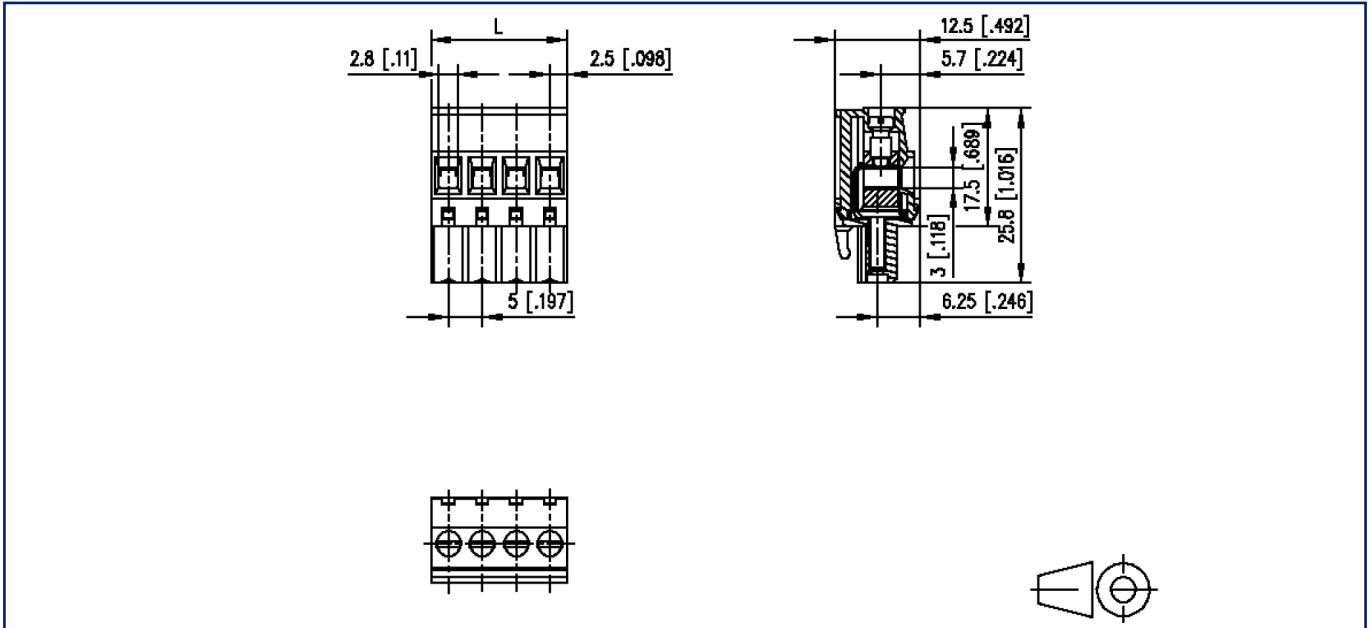


Counterpart

P/N	Designation
311761	PR065xxHBBN Type 176
311771	PR065xxVBBN Type 177
313191	PT115xxVBEC Typ 319
313201	PT115xxVBBN Type 320
313291	PT115xxHBEC Type 329
313301	PT115xxHBBN Type 330
313371	PR075xxHBEL Type 337
313381	PR075xxHBER Type 338
314761	PR065xxHBEC Type 476
314771	PR065xxVBEC Type 477

Illustrations

Dimensional drawing



$L = (\text{pole size} - 1) \times \text{centerline} + 5 \text{ mm} [0.197]$