

# Data sheet

## RP03AxxHBL5 Type 218

Page 1/6

P/N  
312182xx

xx=number of poles

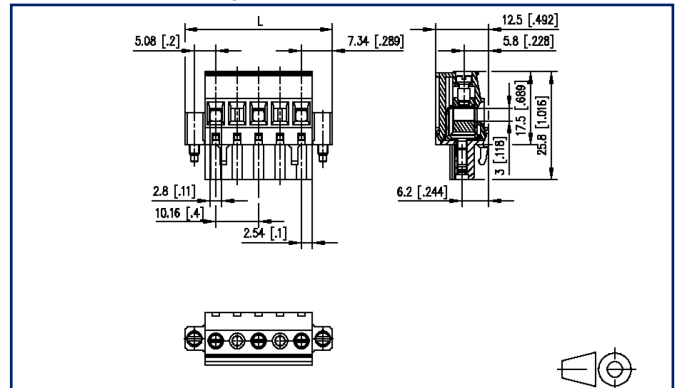
2023/06/26

Version: X

### Illustrations



Dimensional drawing



See enlarged drawings at the end of document

### Product specification

- screw type terminal block, pluggable
- centerline 10.16 mm, direction of connection 90°
- lift system
- color black, mounting flange



**Technical Data**

**General Data**

Tightening torque SEV	0.5 Nm		
Tightening torque UL	4.4 lb-in		
min. number of poles	2		
max. number of poles	6		
Insulating material class	CTI 600		
clearance/creepage dist.	8.28 mm		
Protection category	IP20		
Min. insul. strip length	8 mm		
Rated current	12 A		
Overvoltage category	III	III	II
Pollution degree	3	2	2
Rated voltage	500 V	1000 V	1000 V
Rated test voltage	6 kV	6 kV	6 kV

**Terminal data**


rat.wiring solid AWGmax	0.08 mm <sup>2</sup> - 4 mm <sup>2</sup> / AWG 28 - AWG 12		
rat.wiring strand.AWGmax	0.08 mm <sup>2</sup> - 2.5 mm <sup>2</sup> / AWG 28 - AWG 12		

**Approvals**

extended wiring UL	2 AWG 16-18, or 1 AWG 16 stranded with 1 AWG 18 solid, or 1 AWG 16 stranded with 1 AWG 18 stranded		
--------------------	--	--	--

 V / A / AWG	600 / 16 / 28 - 12		
---	--------------------	--	--

approval UL - File No.	E121004		
------------------------	---------	--	--

 2.5 mm <sup>2</sup>	630 V / 4 kV / 13.5 A		
---	-----------------------	--	--

**Material**

insulating material	PA66		
flammability class	V0		
contact material	CuSn		
Contact surface	Sn		
terminal body thread	M3		
terminal body material	CuZnPb		
terminal body surface	Ni		

# U | Contact

Data sheet

**RP03AxxHBL5 Type 218**

Page 3/6

P/N

**312182xx****xx=number of poles**

2023/06/26

Version: X

## Technical Data

screw thread	M3
screw material	8,8
screw surface	Zn Cr(VI)-frei/free
Glow-Wire Flammability GWFI	960 °C acc. to IEC 60695-2-12
Glow-Wire Flammability GWIT	775 °C acc. to IEC 60695-2-13

## Climatic Data

upper limit temperature	105 °C
lower limit temperature	-40 °C

## general

Tolerance	ISO 2768 -mH
-----------	--------------

# U | Contact

Data sheet  
RP03AxxHBL5 Type 218

Page 4/6

P/N  
312182xx

xx=number of poles

2023/06/26

Version: X

## Accessories

P/N	Designation
700025-01-9	Coding star white with a group of 6 coding pins

© 2023 METZ CONNECT - Technische Änderungen vorbehalten! Subject to modifications! Sous réserve de modifications techniques!



# U | Contact

Data sheet  
**RP03AxxHBL5 Type 218**

Page 5/6

P/N  
**312182xx**

**xx=number of poles**

2023/06/26

Version: X

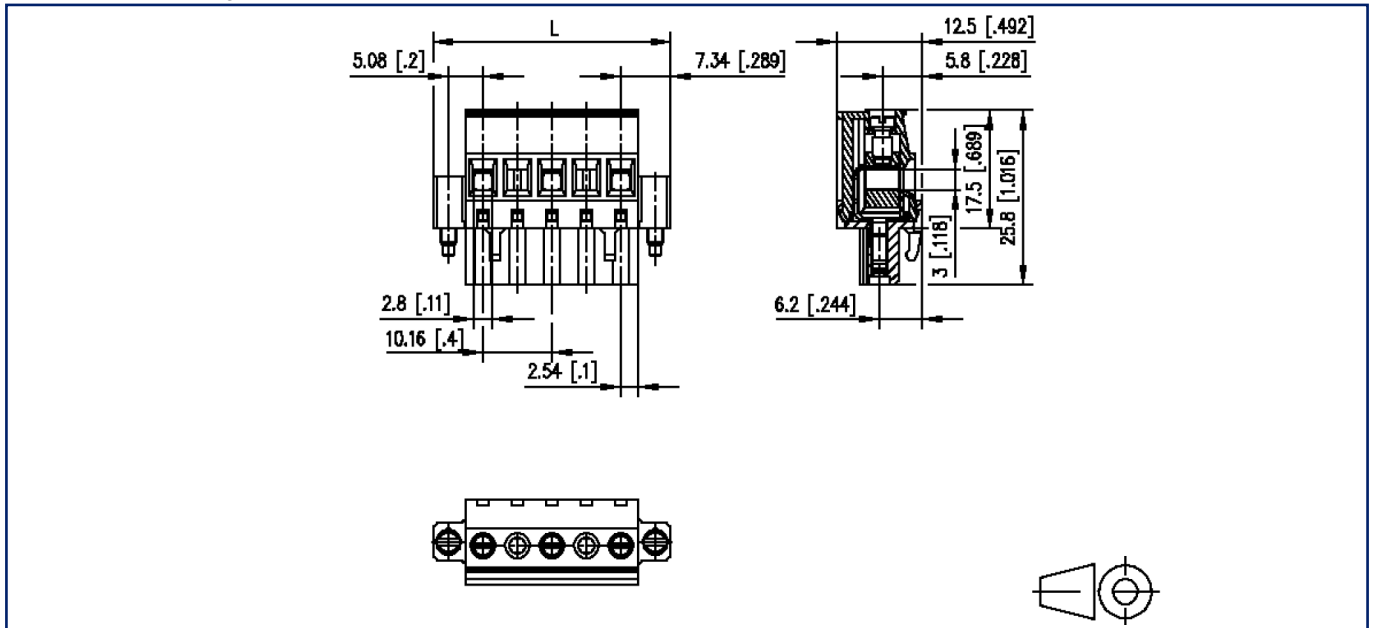
## Counterpart

P/N	Designation
312352	PT11AxxVBBF Type 235
312362	PT11AxxHBBF Type 236



### Illustrations

Dimensional drawing



$L = (\text{pole size} - 1) \times \text{centerline} + 14.68 \text{ mm} [0.578]$