

Data sheet

RP036xxHBLF Type 217

Page 1/6

P/N

312171xx

xx=number of poles

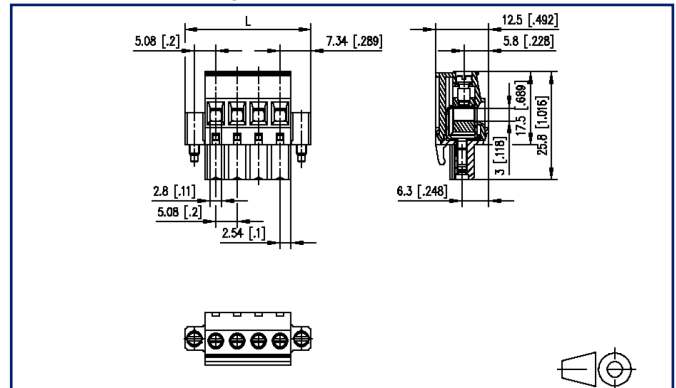
2023/06/26

Version: X

Illustrations



Dimensional drawing



See enlarged drawings at the end of document

Product specification

- screw type terminal block, pluggable
- centerline 5.08 mm, direction of connection 90°
- lift system
- color black, mounting flange
- wire entry uncodeable side perpendicular to plug direction



Technical Data

General Data

Tightening torque SEV	0.5 Nm		
Tightening torque UL	4.4 lb-in		
min. number of poles	2		
max. number of poles	12		
Insulating material class	CTI 600		
clearance/creepage dist.	3.2 mm		
Protection category	IP20		
Min. insul. strip length	8 mm		
Rated current	12 A		
Overvoltage category	III	III	II
Pollution degree	3	2	2
Rated voltage	160 V	400 V	400 V
Rated test voltage	2.5 kV	2.5 kV	2.5 kV

Terminal data

rat.wiring solid AWGmax	0.08 mm ² - 4 mm ² / AWG 28 - AWG 12		
rat.wiring strand.AWGmax	0.08 mm ² - 2.5 mm ² / AWG 28 - AWG 12		

Approvals

extended wiring UL	2 AWG 16-18, or 1 AWG 16 stranded with 1 AWG 18 solid, or 1 AWG 16 stranded with 1 AWG 18 stranded		
--------------------	--	--	--



V / A / AWG

300 / 16 / 28 - 12

approval UL - File No.

E121004



2.5 mm²

320 V / 4 kV / 13.5 A

Material

insulating material	PA66
flammability class	V0
contact material	CuSn
Contact surface	Sn
terminal body thread	M3
terminal body material	CuZnPb
terminal body surface	Ni



U | Contact

Data sheet RP036xxHBLF Type 217

Page 3/6

P/N
312171xx

xx=number of poles

2023/06/26

Version: X

Technical Data

screw thread	M3
screw material	8,8
screw surface	Zn Cr(VI)-frei/free
Glow-Wire Flammability GWFI	960 °C acc. to IEC 60695-2-12
Glow-Wire Flammability GWIT	775 °C acc. to IEC 60695-2-13

Climatic Data

upper limit temperature	105 °C
lower limit temperature	-40 °C

general

Tolerance	ISO 2768 -mH
-----------	--------------



U | Contact

Data sheet
RP036xxHBLF Type 217

Page 4/6

P/N
312171xx

xx=number of poles

2023/06/26

Version: X

Accessories

P/N	Designation
700025-01-9	Coding star white with a group of 6 coding pins

© 2023 METZ CONNECT - Technische Änderungen vorbehalten! Subject to modifications! Sous réserve de modifications techniques!

U | Contact

Data sheet
RP036xxHBLF Type 217

Page 5/6

P/N
312171xx

xx=number of poles

2023/06/26

Version: X

Counterpart

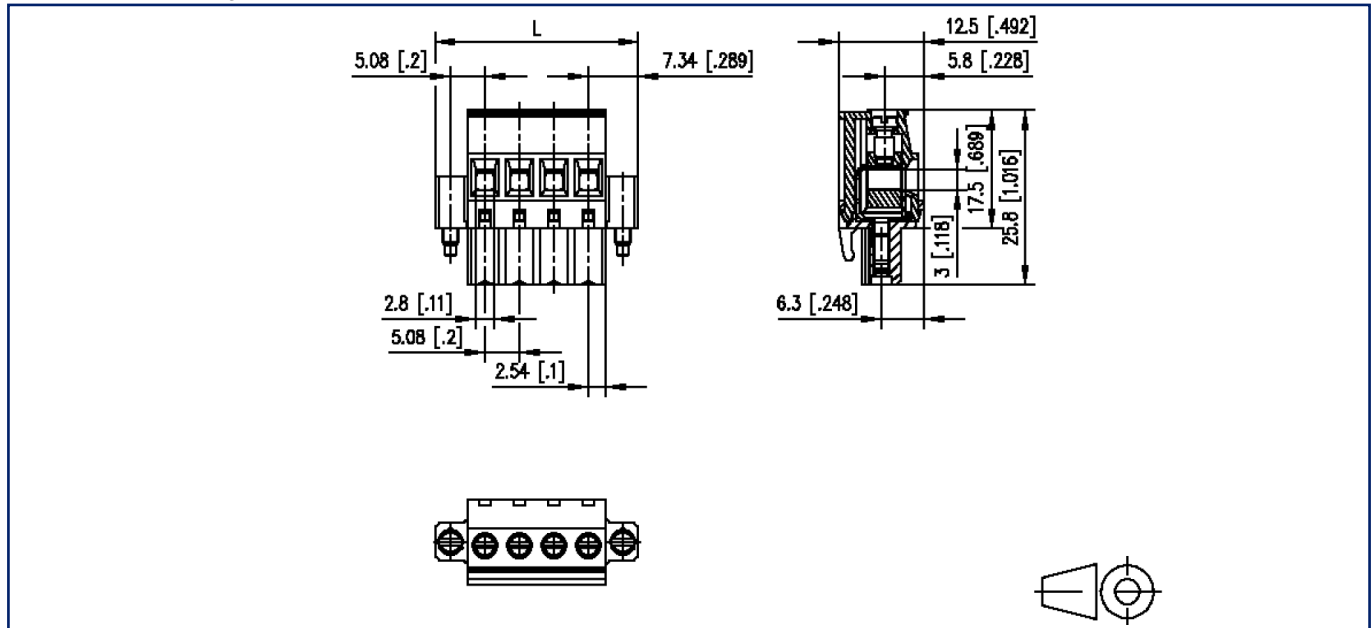
P/N	Designation
312351	PT116xxVBBF Type 235
312361	PT116xxHBBF Type 236

© 2023 METZ CONNECT - Technische Änderungen vorbehalten! Subject to modifications! Sous réserve de modifications techniques!



Illustrations

Dimensional drawing



$L = (\text{pole size} - 1) \times \text{centerline} + 14.68 \text{ mm} [0.578]$