

Data sheet

RP025xxIBLC Type 137

Page 1/6

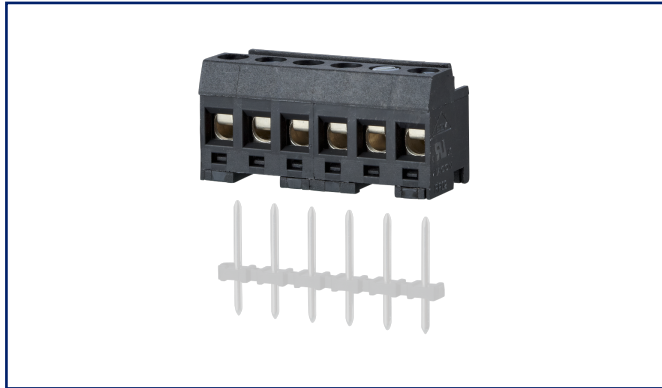
P/N
311371xx

xx=number of poles

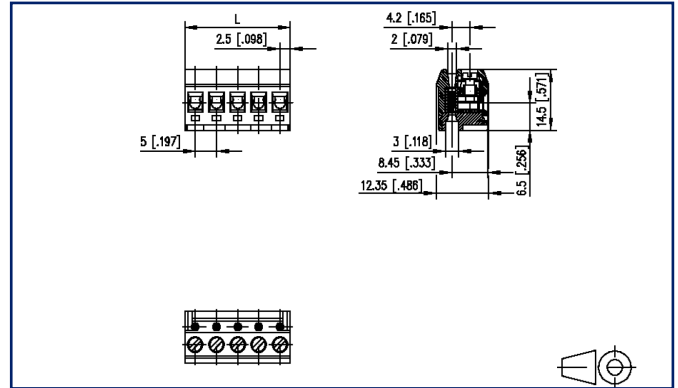
2023/06/26

Version: X

Illustrations



Dimensional drawing



See enlarged drawings at the end of document

Product specification

- screw type terminal block, pluggable
- centerline 5.00 mm, direction of connection 90°
- lift system, fittable without loss of poles
- color black
- wire entry perpendicular to plug direction, lamella



Technical Data

General Data

Tightening torque SEV	0.5 Nm		
Tightening torque UL	4.4 lb-in		
min. number of poles	2		
max. number of poles	24		
Insulating material class	CTI 600		
clearance/creepage dist.	3.2 mm		
Protection category	IP20		
Min. insul. strip length	8 mm		
Rated current	10 A		
Overvoltage category	III	III	II
Pollution degree	3	2	2
Rated voltage	250 V	630 V	630 V
Rated test voltage	4 kV	4 kV	4 kV

Terminal data

rat.wiring solid AWGmax	0.13 mm ² - 2.5 mm ² / AWG 26 - AWG 12		
rat.wiring strand.AWGmax	0.13 mm ² - 2.5 mm ² / AWG 26 - AWG 12		

Approvals

 V / A / AWG	300 / 15 / 26 - 12		
---	--------------------	--	--

approval UL - File No.	E121004		
------------------------	---------	--	--

 2.5 mm ²	250 V / 2.5 kV / 10 A		
---	-----------------------	--	--

Material

insulating material	PA66		
flammability class	V0		
contact material	CuBe		
Contact surface	Ni + Ag		
terminal body thread	M3		
terminal body material	CuZnPb		
terminal body surface	Cu + Ni		
screw thread	M3		
screw material	8,8		

Data sheet
RP025xxIBLC Type 137

Page 3/6

P/N
311371xx

xx=number of poles

2023/06/26

Version: X

Technical Data

screw surface	Zn Cr(VI)-frei/free
wire protector material	CuNiZn
Glow-Wire Flammability GWFI	960 °C acc. to IEC 60695-2-12
Glow-Wire Flammability GWIT	775 °C acc. to IEC 60695-2-13

Climatic Data

upper limit temperature	105 °C
lower limit temperature	-40 °C

general

Tolerance	ISO 2768 -mH
-----------	--------------



U | Contact

Data sheet
RP025xxIBLC Type 137

Page 4/6

P/N
311371xx

xx=number of poles

2023/06/26

Version: X

Accessories

P/N	Designation
716846	Coding comb pastel blue
720161-01-2	720161
720161-02-2	720161
750313	Mounting flange right for type 137
750314	Mounting flange left for type 137

U | Contact

Data sheet
RP025xxIBLC Type 137

Page 5/6

P/N
311371xx

xx=number of poles

2023/06/26

Version: X

Counterpart

P/N	Designation
310271	PR015xxVBVC Type 027

© 2023 METZ CONNECT - Technische Änderungen vorbehalten! Subject to modifications! Sous réserve de modifications techniques!

U | Contact

Data sheet RP025xxIBLC Type 137

Page 6/6

P/N
311371xx

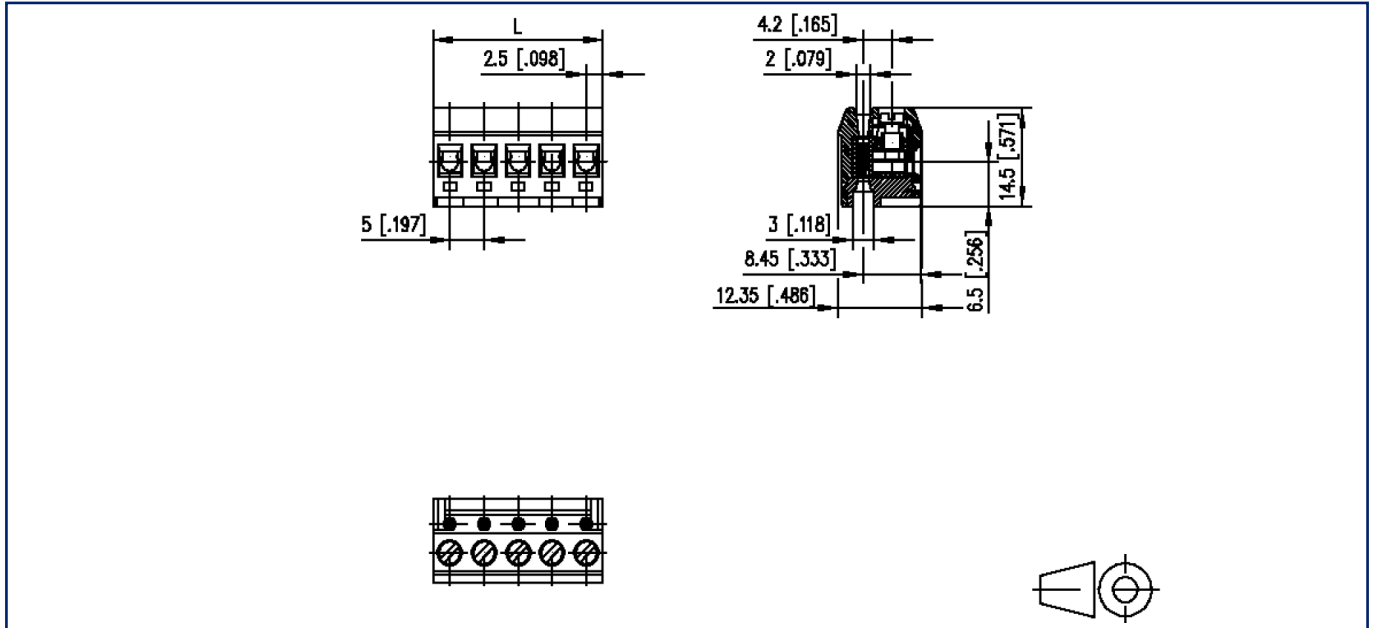
xx=number of poles

2023/06/26

Version: X

Illustrations

Dimensional drawing



$L = (\text{pole size} - 1) \times \text{centerline} + 5 \text{ mm [0.197]}$