

Data sheet

RP015xxWBWC Type 009

Page 1/6

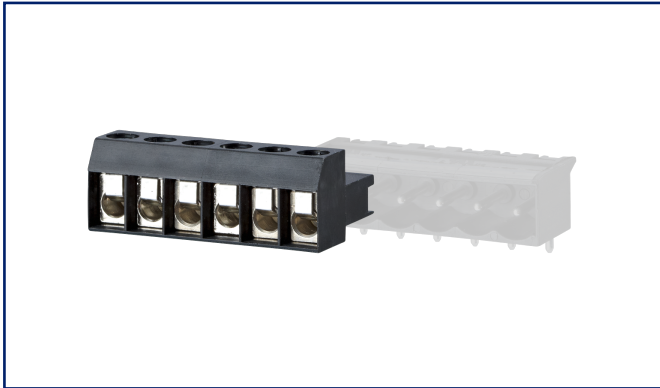
P/N
310091xx

xx=number of poles

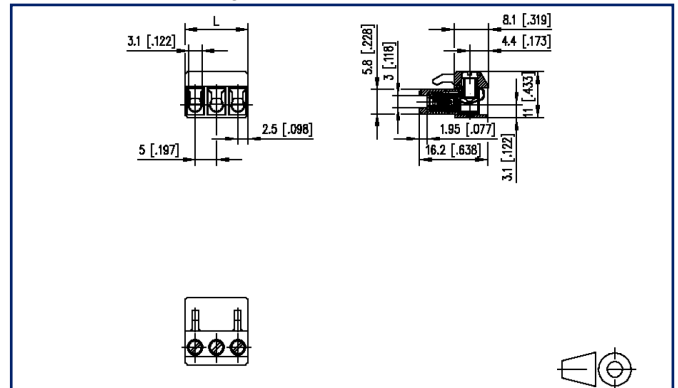
2023/06/23

Version: T

Illustrations



Dimensional drawing



See enlarged drawings at the end of document

Product specification

- screw type terminal block, pluggable
- centerline 5.00 mm, direction of connection vertical 0°
- wire protector, fittable without loss of poles
- color black
- wire entry uncodeable side parallel to plug direction, lamella



Technical Data

General Data

Tightening torque SEV	0.5 Nm		
Tightening torque UL	4.4 lb-in		
min. number of poles	2		
max. number of poles	21		
Insulating material class	CTI 600		
clearance/creepage dist.	1.9 mm		
Protection category	IP20		
Min. insul. strip length	6 mm		
Rated current	10 A		
Overvoltage category	III	III	II
Pollution degree	3	2	2
Rated voltage	100 V	320 V	320 V
Rated test voltage	2.5 kV	2.5 kV	2.5 kV

Terminal data

rat.wiring solid AWGmax	0.33 mm ² - 2.5 mm ² / AWG 22 - AWG 12		
rat.wiring strand.AWGmax	0.33 mm ² - 2.5 mm ² / AWG 22 - AWG 12		

Approvals

extended wiring UL	Wire range extended to No. 30 AWG for factory-wiring. Two same size wires No. 22-18 AWG Cu Sol/Str for field-wiring; No. 30-18 Cu Sol/Str factory-wiring.		
--------------------	---	--	--

 V / A / AWG	300 / 15 / 22 - 12		
---	--------------------	--	--

approval UL - File No.	E121004		
2.5 mm ²	150 V / 10 A / 12.5 A		

Material

insulating material	PA66		
flammability class	V0		
contact material	CuBe		
Contact surface	Ni + Ag		
terminal body thread	M3		
terminal body material	CuZnPb		
terminal body surface	Ni		
screw thread	M3		

U | Contact

Data sheet RP015xxWBWC Type 009

Page 3/6

P/N
310091xx

xx=number of poles

2023/06/23

Version: T

Technical Data

screw material	8,8
screw surface	Zn Cr(VI)-frei/free
wire protector material	CuSn
wire protector surface	Sn
Glow-Wire Flammability GWFI	960 °C acc. to IEC 60695-2-12
Glow-Wire Flammability GWIT	775 °C acc. to IEC 60695-2-13

Climatic Data

upper limit temperature	105 °C
lower limit temperature	-40 °C

general

Tolerance	ISO 2768 -mH
-----------	--------------



U | Contact

Data sheet
RP015xxWBWC Type 009

Page 4/6

P/N
310091xx

xx=number of poles

2023/06/23

Version: T

Accessories

P/N	Designation
716906	Coding comb orange



Counterpart

P/N	Designation
310191	PT045xxVBEC Type 019
310201	PT045xxVBBN Type 020
310291	PT045xxHBEC Type 029
310301	PT045xxHBBN Type 030
310311	PT045xxHBVC Typ 031
310321	PT045xxHBVN Typ 032
310331	PT045xxVBON Typ 033

U | Contact

Data sheet

RP015xxWBWC Type 009

Page 6/6

P/N

310091xx

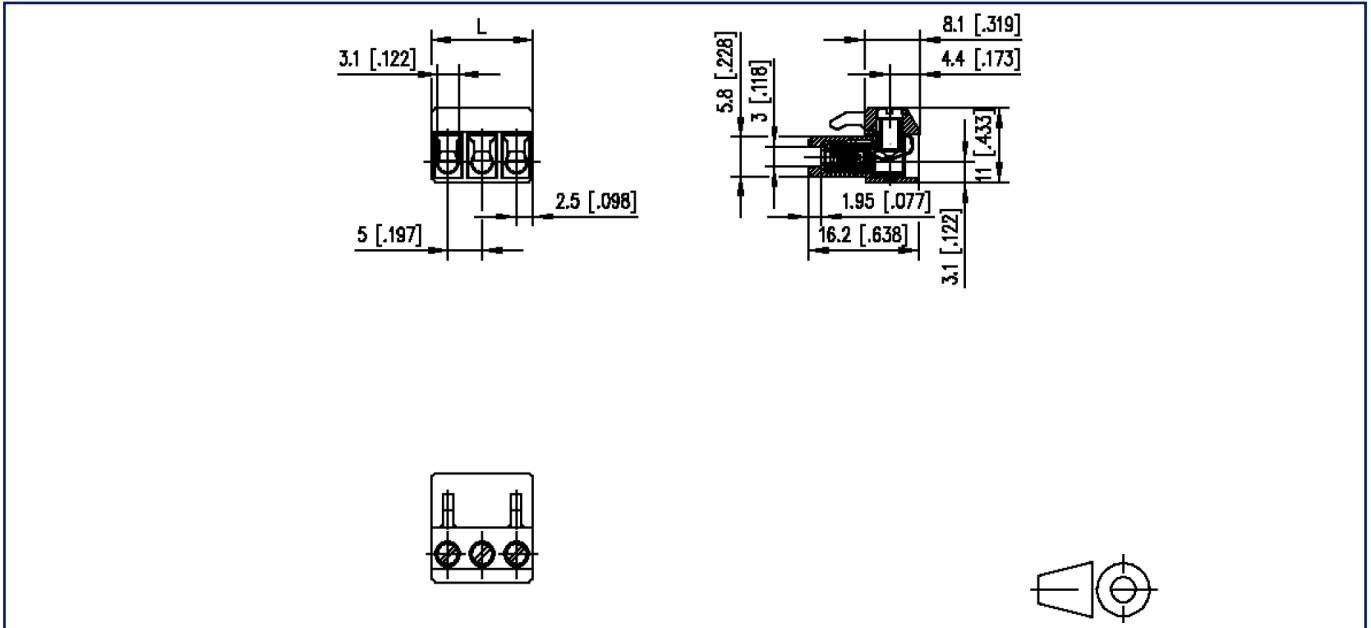
xx=number of poles

2023/06/23

Version: T

Illustrations

Dimensional drawing



$L = (\text{pole size} - 1) \times \text{centerline} + 5 \text{ mm } [0.197]$

