

Data sheet

RP029xxIBWC Type 007

Page 1/6

P/N
310072xx

xx=number of poles

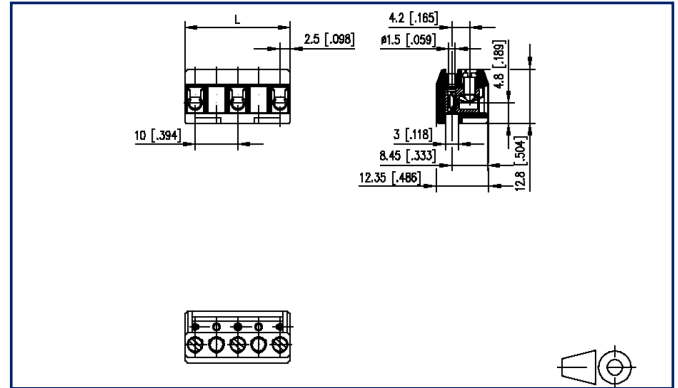
2023/06/23

Version: U

Illustrations



Dimensional drawing



See enlarged drawings at the end of document

Product specification

- screw type terminal block, pluggable
- centerline 10.00 mm, direction of connection 90°
- wire protector, fittable without loss of poles
- color black



Technical Data

General Data

Tightening torque SEV	0.5 Nm		
Tightening torque UL	4.4 lb-in		
min. number of poles	2		
max. number of poles	12		
Insulating material class	CTI 600		
clearance/creepage dist.	7.3 mm		
Protection category	IP20		
Min. insul. strip length	6 mm		
Rated current	16 A		
Overvoltage category	III	III	II
Pollution degree	3	2	2
Rated voltage	500 V	1000 V	1000 V
Rated test voltage	6 kV	6 kV	6 kV

Terminal data

rat.wiring solid AWGmax	0.33 mm ² - 2.5 mm ² / AWG 22 - AWG 12		
rat.wiring strand.AWGmax	0.33 mm ² - 2.5 mm ² / AWG 22 - AWG 12		

Approvals

extended wiring UL	Wire range extended to No. 30 AWG for factory-wiring. Two same size wires No. 22-16 AWG Cu, Sol/Str for field-wiring; No. 30-16 AWG Cu Sol/Str factory-wiring.
--------------------	--

 V / A / AWG

600 / 15 / 22 - 12

approval UL - File No.	E121004
2.5 mm ²	300 V / 15 A / 12 A

Material

insulating material	PA66
flammability class	V0
contact material	CuBe
Contact surface	Ni + Ag
terminal body thread	M3
terminal body material	CuZnPb
terminal body surface	Cu + Ni
screw thread	M3

U | Contact

Data sheet RP029xxIBWC Type 007

Page 3/6

P/N
310072xx

xx=number of poles

2023/06/23

Version: U

Technical Data

screw material	8,8
screw surface	Zn Cr(VI)-frei/free
wire protector material	CuSn
wire protector surface	Sn
Glow-Wire Flammability GWFI	960 °C acc. to IEC 60695-2-12
Glow-Wire Flammability GWIT	775 °C acc. to IEC 60695-2-13

Climatic Data

upper limit temperature	105 °C
lower limit temperature	-40 °C

general

Tolerance	ISO 2768 -mH
-----------	--------------



U | Contact

Data sheet
RP029xxIBWC Type 007

Page 4/6

P/N
310072xx

xx=number of poles

2023/06/23

Version: U

Accessories

P/N	Designation
710084	Mounting flange right for type 07, 08
710085	Mounting flange left for type 07, 08
710121-2	Coding pin short for type 007
710122-2	Coding pin long for type 007
716846	Coding comb pastel blue

U | Contact

Data sheet
RP029xxIBWC Type 007

Page 5/6

P/N
310072xx

xx=number of poles

2023/06/23

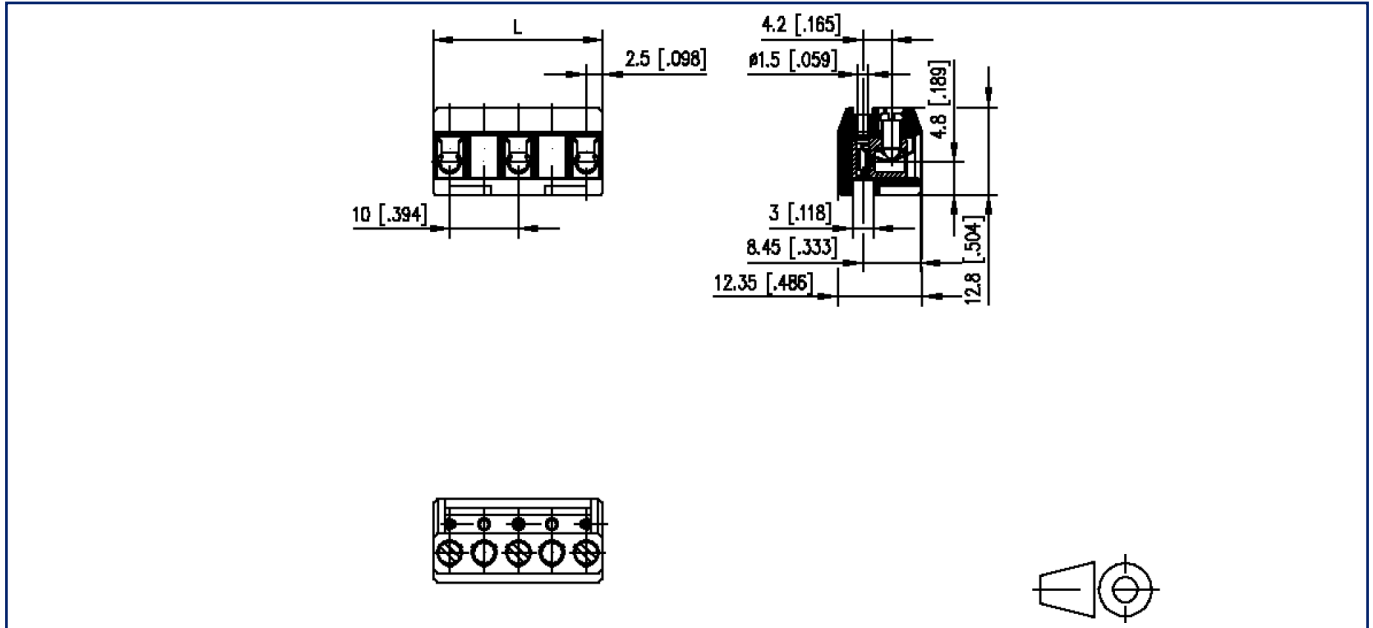
Version: U

Counterpart

P/N	Designation
310172	PR019xxVBHC Typ 017
310272	PR019xxVBVC Typ 027
310392	PT059xxHBHC Typ 039
310412	PT069xxVBEN Typ 041
310422	PT069xxVBVN Typ 042

Illustrations

Dimensional drawing



$L = (\text{pole size} - 1) \times \text{centerline} + 5 \text{ mm} [0.197]$