

# Data sheet

360425 | Single terminal block M4 + Screw M4

Page 1/3

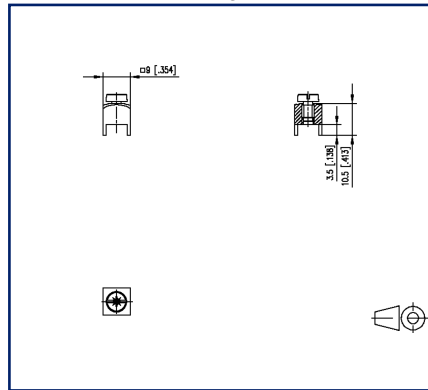
P/N  
360425

2023/06/23  
Version: AE

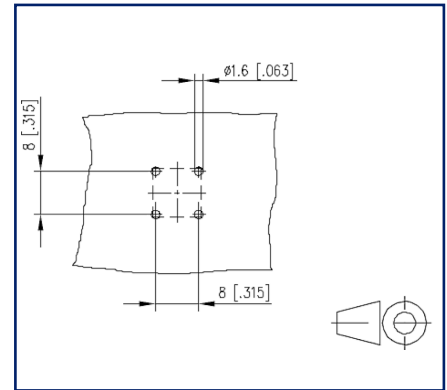
## Illustrations



Dimensional drawing



Drill pattern



See enlarged drawings at the end of document

## Product specification

- screw type terminal block, THR solderable
- direction of connection 90°
- color metallike
- discontinued as of November 30, 2023

## Technical Data

### General Data

Tightening torque SEV	1.2 Nm
Tightening torque UL	10.6 lb-in
Solder pin length	3.5 mm
Protection category	IP00
Rated current	50 A

### Material

terminal body thread	M4
terminal body material	CuZnPb
terminal body surface	Ni + Sn
screw thread	M4
screw material	8,8
screw surface	Zn Cr(VI)-frei/free

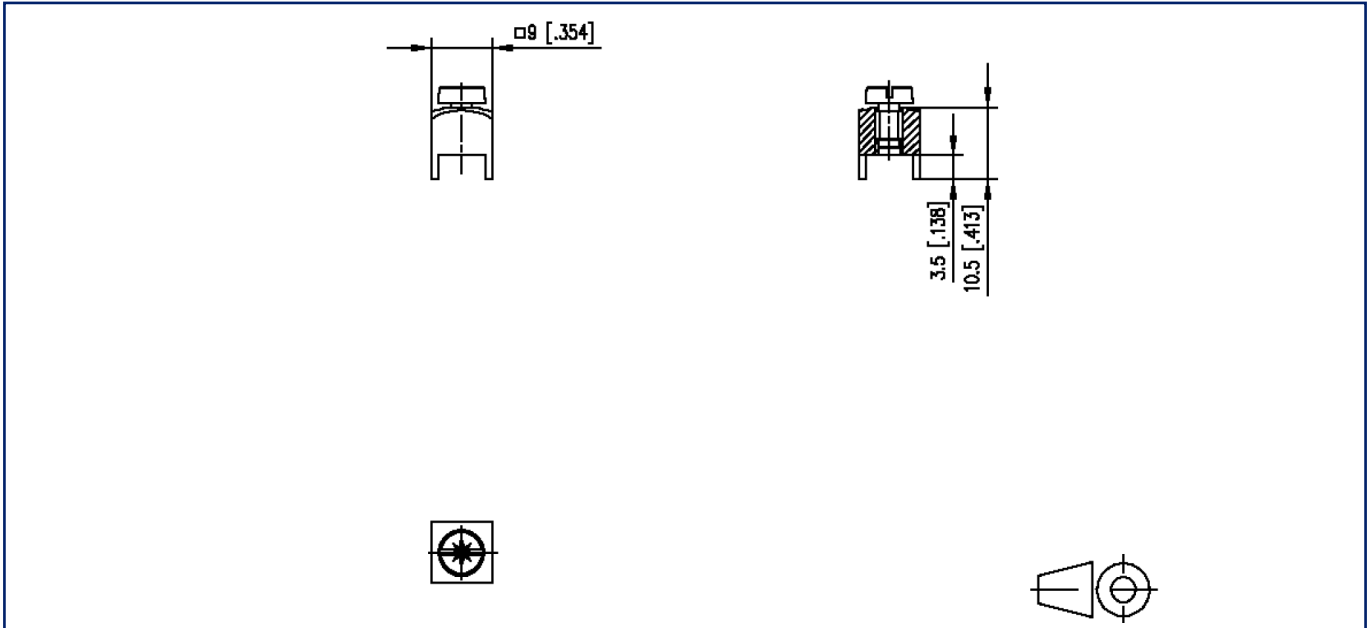
### general

Tolerance	ISO 2768 -mH
Solderability	Acc. to IPC/JEDEC J-STD-020D-MSL 1



**Illustrations**

Dimensional drawing



Drill pattern

