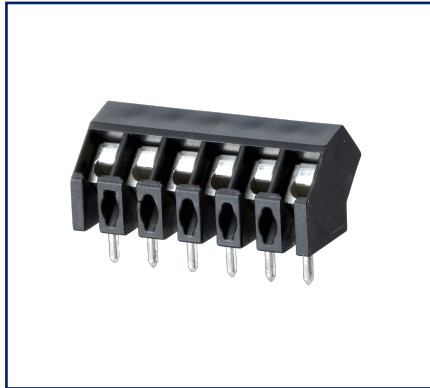
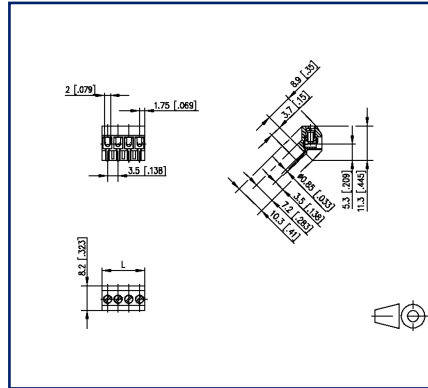


**Data sheet**  
**RT083xxDBWC Type 105**

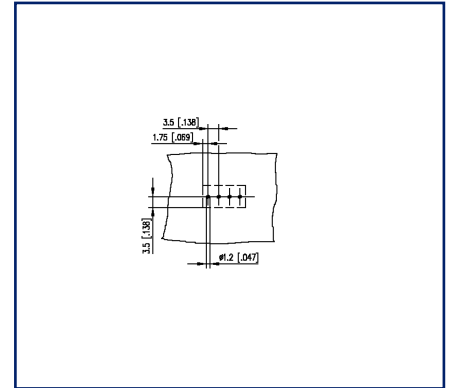
**Illustrations**



Dimensional drawing



Drill pattern



See enlarged drawings at the end of document

**Product specification**

- screw type terminal block, solderable
- centerline 3.50 mm, direction of connection 45°
- wire protector, fittable without loss of poles
- color black

## Technical Data

### General Data

|                           |           |        |        |
|---------------------------|-----------|--------|--------|
| Tightening torque SEV     | 0.15 Nm   |        |        |
| Tightening torque UL      | 1.3 lb-in |        |        |
| Solder pin length         | 3.7 mm    |        |        |
| min. number of poles      | 2         |        |        |
| max. number of poles      | 16        |        |        |
| Insulating material class | CTI 600   |        |        |
| clearance/creepage dist.  | 2.1 mm    |        |        |
| Protection category       | IP20      |        |        |
| Min. insul. strip length  | 5 mm      |        |        |
| Rated current             | 6 A       |        |        |
| Overvoltage category      | III       | III    | II     |
| Pollution degree          | 3         | 2      | 2      |
| Rated voltage             | 40 V      | 250 V  | 250 V  |
| Rated test voltage        | 1.5 kV    | 1.5 kV | 1.5 kV |

### Terminal data

|                          |  |  |  |
|--------------------------|--|--|--|
| rat.wiring solid AWGmax  | 0.34 mm <sup>2</sup> - 1 mm <sup>2</sup> / AWG 22 - AWG 18 |  |  |
| rat.wiring strand.AWGmax | 0.34 mm <sup>2</sup> - 1 mm <sup>2</sup> / AWG 22 - AWG 18 |  |  |

### Approvals

|   |                    |  |  |
|---|--------------------|--|--|
|  V / A / AWG | 300 / 10 / 28 - 16 |  |  |
|---|--------------------|--|--|

|                        |         |  |  |
|------------------------|---------|--|--|
| approval UL - File No. | E121004 |  |  |
|------------------------|---------|--|--|

|   |                      |  |  |
|---|----------------------|--|--|
|  1 mm <sup>2</sup> | 130 V / 13.5 A / T60 |  |  |
|---|----------------------|--|--|

### Material

|                        |                     |  |  |
|------------------------|---------------------|--|--|
| insulating material    | PA66                |  |  |
| flammability class     | V0                  |  |  |
| terminal body thread   | M2                  |  |  |
| terminal body material | CuZnPb              |  |  |
| terminal body surface  | Ni + Sn             |  |  |
| screw thread           | M2                  |  |  |
| screw material         | 8,8                 |  |  |
| screw surface          | Zn Cr(VI)-frei/free |  |  |

**Data sheet**  
**RT083xxDBWC Type 105**

Page 3/5

P/N  
311051xx

xx=number of poles

2023/06/26

Version: AF

**Technical Data**

|                             |                               |
|-----------------------------|-------------------------------|
| wire protector material     | CuSn                          |
| wire protector surface      | Sn                            |
| Glow-Wire Flammability GWFI | 960 °C acc. to IEC 60695-2-12 |
| Glow-Wire Flammability GWIT | 775 °C acc. to IEC 60695-2-13 |

**Climatic Data**

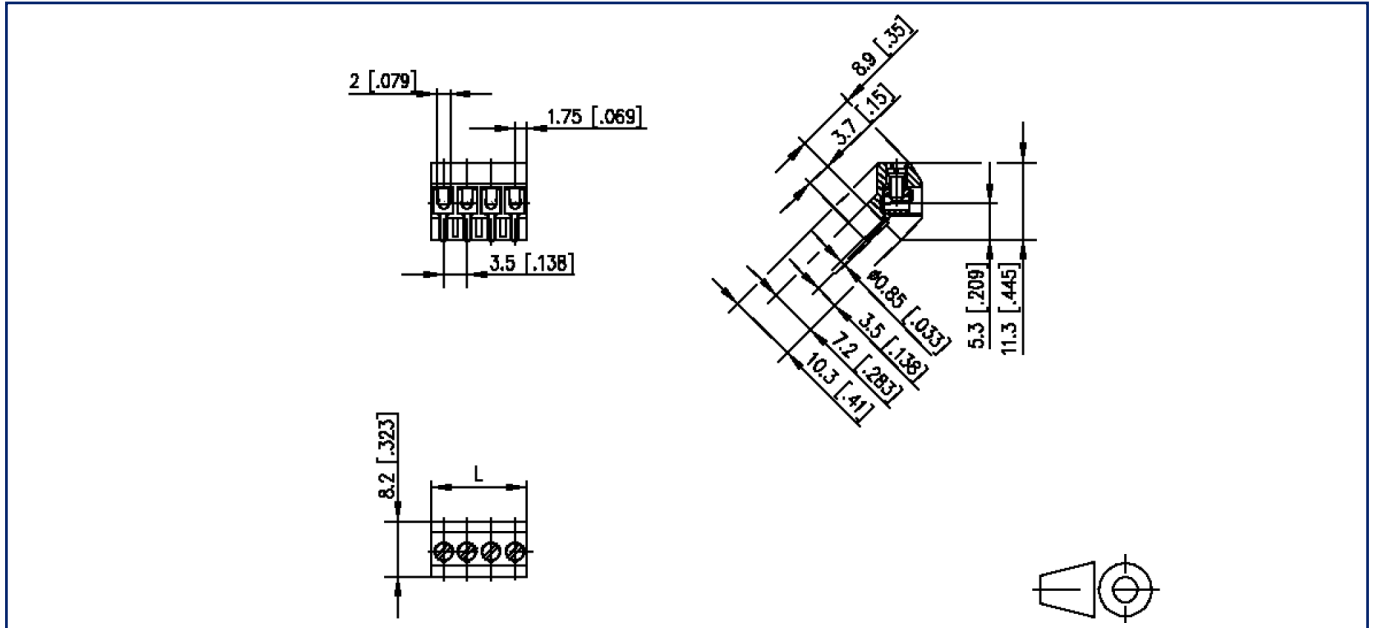
|                         |        |
|-------------------------|--------|
| upper limit temperature | 105 °C |
| lower limit temperature | -40 °C |

**general**

|               |                                     |
|---------------|-------------------------------------|
| Tolerance     | ISO 2768 -mH                        |
| Solderability | Acc. to JEDEC JESD22-B102E 245°C/5s |

## Illustrations

Dimensional drawing



$L = (\text{pole size} - 1) \times \text{centerline} + 3.5 \text{ mm} [0.138]$



**Illustrations**

## Drill pattern

