

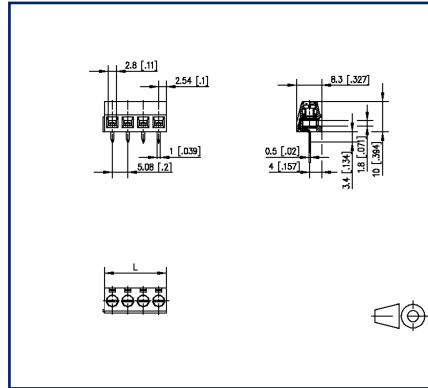
Data sheet

RT036xxHBLU Type 095

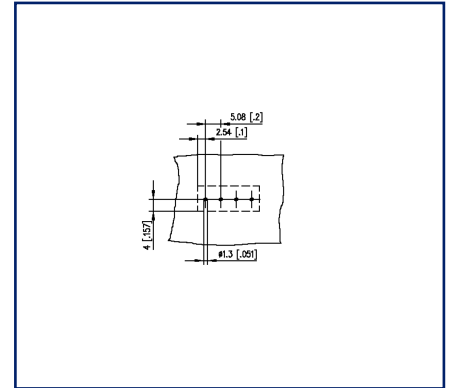
Illustrations



Dimensional drawing



Drill pattern



See enlarged drawings at the end of document

Product specification

- screw type terminal block, solderable
- centerline 5.08 mm, direction of connection 90°
- lift system, modular
- color black



Technical Data


General Data

Tightening torque SEV	0.5 Nm		
Tightening torque UL	4.4 lb-in		
Solder pin length	3.4 mm		
min. number of poles	2		
max. number of poles	3		
Insulating material class	CTI 600		
clearance/creepage dist.	3.2 mm		
Protection category	IP20		
Min. insul. strip length	6 mm		
Rated current	13.5 A		
Overvoltage category	III	III	II
Pollution degree	3	2	2
Rated voltage	50 V	250 V	250 V
Rated test voltage	2.5 kV	2.5 kV	2.5 kV

Terminal data

rat.wiring solid AWGmax	0.2 mm ² - 1.5 mm ² / AWG 26 - AWG 16		
rat.wiring strand.AWGmax	0.2 mm ² - 1 mm ² / AWG 26 - AWG 16		

Approvals

 V / A / AWG	300 / 10 / 26 - 16		
---	--------------------	--	--

approval UL - File No.	E121004		
------------------------	---------	--	--

 1.5 mm ²	250 V / 17.5 A / T60		
---	----------------------	--	--

Material

insulating material	PA66		
flammability class	V0		
contact material	CuSn		
Contact surface	Sn		
terminal body thread	M3		
terminal body material	CuZnPb		
terminal body surface	Ni		
screw thread	M3		

Data sheet
RT036xxHBLU Type 095

Page 3/5

P/N
310951xx

xx=number of poles

2023/06/26

Version: AC

Technical Data

screw material	8,8
screw surface	Zn Cr(VI)-frei/free
Glow-Wire Flammability GWFI	960 °C acc. to IEC 60695-2-12
Glow-Wire Flammability GWIT	775 °C acc. to IEC 60695-2-13

Climatic Data

upper limit temperature	105 °C
lower limit temperature	-40 °C

general

Tolerance	ISO 2768 -mH
Solderability	Acc. to JEDEC JESD22-B102E 245°C/5s

U | Contact

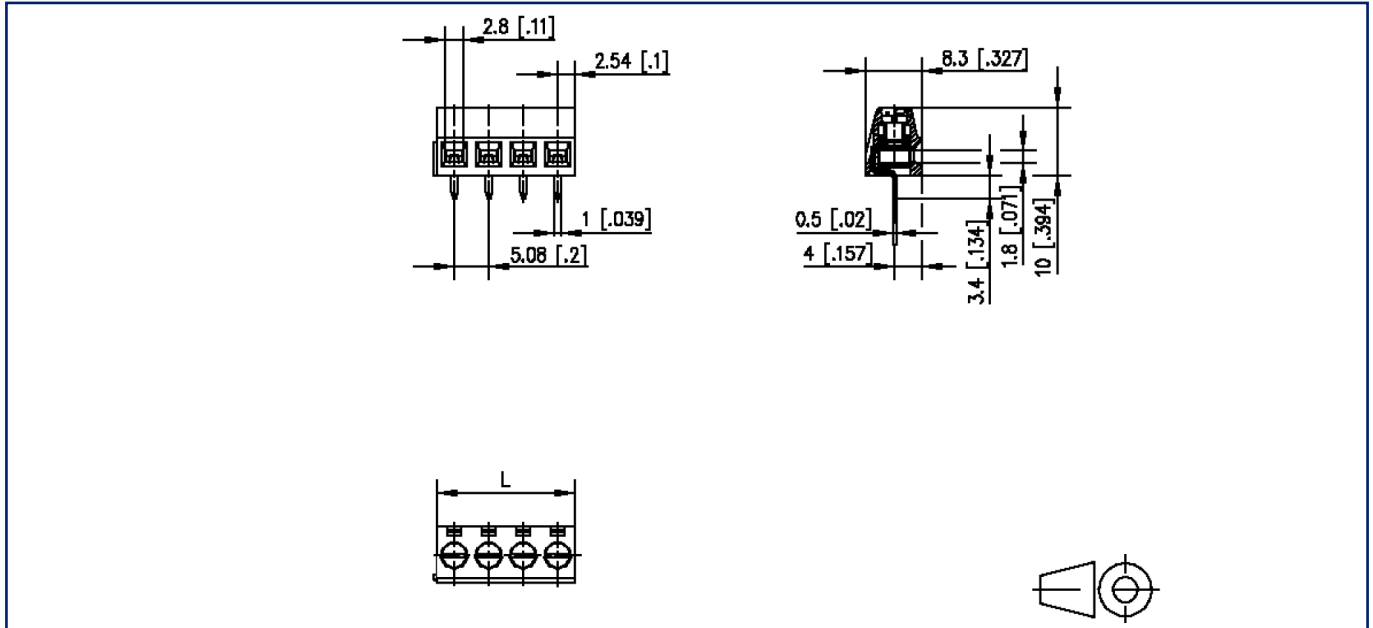
Data sheet
RT036xxHBLU Type 095

Page 4/5

P/N
310951xx
 xx=number of poles
 2023/06/26
 Version: AC

Illustrations

Dimensional drawing



$L = (\text{pole size} - 1) \times \text{centerline} + 5.08 \text{ mm} [0.2]$

© 2023 METZ CONNECT - Technische Änderungen vorbehalten! Subject to modifications! Sous réserve de modifications techniques!

U | Contact

Data sheet
RT036xxHBLU Type 095

Page 5/5

P/N
310951xx
xx=number of poles
2023/06/26
Version: AC

Illustrations

Drill pattern

