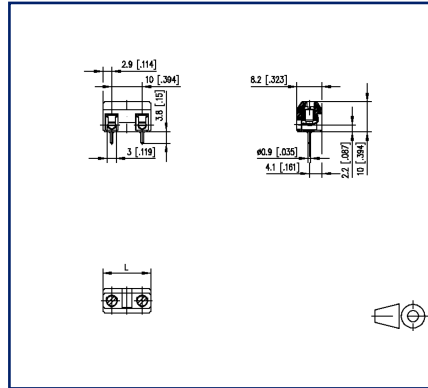


**Data sheet**  
**RT019xxHDVC Type 067**

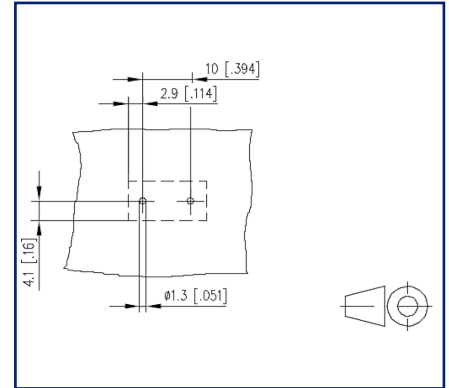
**Illustrations**



Dimensional drawing



Drill pattern



See enlarged drawings at the end of document

**Product specification**

- screw type terminal block, solderable
- centerline 10.00 mm, direction of connection 90°
- wire protector
- color gray

## Technical Data


### General Data

Tightening torque SEV	0.4 Nm		
Tightening torque UL	3.5 lb-in		
Solder pin length	3.8 mm		
min. number of poles	2		
max. number of poles	2		
Insulating material class	CTI 600		
clearance/creepage dist.	9.1 mm		
Protection category	IP10		
Min. insul. strip length	7 mm		
Rated current	10 A		
Overvoltage category	III	III	II
Pollution degree	3	2	2
Rated voltage	100 V	320 V	320 V
Rated test voltage	2.5 kV	2.5 kV	2.5 kV


### Terminal data

rat.wiring solid AWGmax	0.34 mm <sup>2</sup> - 2.5 mm <sup>2</sup> / AWG 22 - AWG 14		
rat.wiring strand.AWGmax	0.34 mm <sup>2</sup> - 1.5 mm <sup>2</sup> / AWG 22 - AWG 14		

### Approvals

 V / A / AWG	300 / 15 / 22 - 14		
---	--------------------	--	--

approval UL - File No.	E121004		
------------------------	---------	--	--

 1.5 mm <sup>2</sup>	750 V / 13 A / T60		
---	--------------------	--	--

### Material

insulating material	PA66		
flammability class	V0		
terminal body thread	M3		
terminal body material	CuZnPb		
terminal body surface	Ni + Sn		
screw thread	M3		
screw material	8,8		
screw surface	Zn Cr(VI)-frei/free		

**Data sheet**  
**RT019xxHDVC Type 067**

Page 3/5

P/N  
310671xx

xx=number of poles

2023/06/26

Version: Y

**Technical Data**

wire protector material	CuSn
wire protector surface	Sn
Glow-Wire Flammability GWFI	960 °C acc. to IEC 60695-2-12
Glow-Wire Flammability GWIT	775 °C acc. to IEC 60695-2-13

**Climatic Data**

upper limit temperature	105 °C
lower limit temperature	-40 °C

**general**

Tolerance	ISO 2768 -mH
Solderability	Acc. to JEDEC JESD22-B102E 245°C/5s

# U | Contact

Data sheet  
**RT019xxHDVC Type 067**

Page 4/5

P/N  
**310671xx**

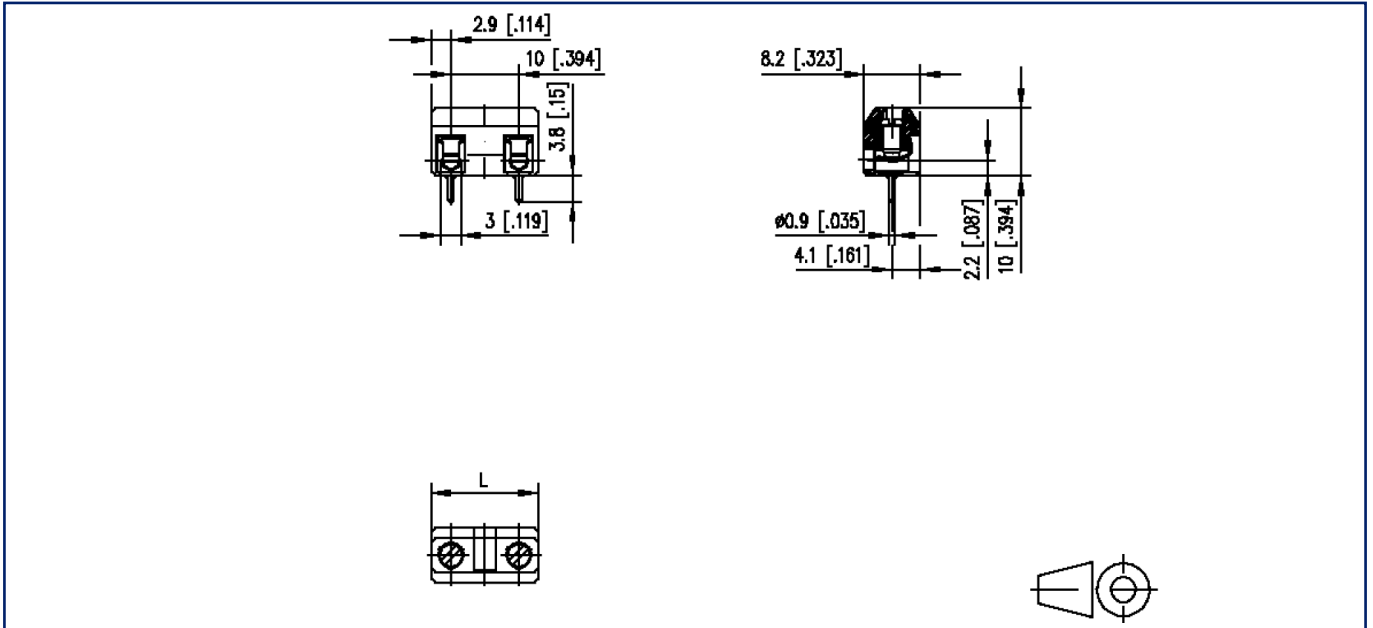
xx=number of poles

2023/06/26

Version: Y

## Illustrations

Dimensional drawing



$L = (\text{pole size} - 1) \times \text{centerline} + 5.8 \text{ mm} [0.228]$

# U | Contact

Data sheet  
RT019xxHDVC Type 067

Page 5/5

P/N  
310671xx  
xx=number of poles  
2023/06/26  
Version: Y

## Illustrations

Drill pattern

