

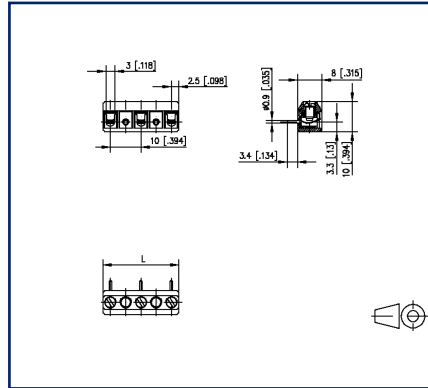
# Data sheet

## RT019xxVDWC Type 063

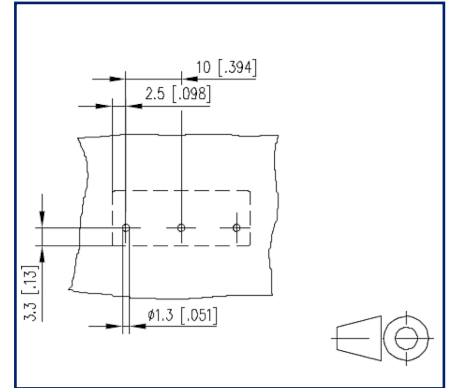
### Illustrations



Dimensional drawing



Drill pattern





See enlarged drawings at the end of document

### Product specification

- screw type terminal block, solderable
- centerline 10.00 mm, direction of connection vertical 0°
- wire protector, fittable without loss of poles
- color gray



## Technical Data

General Data			
Tightening torque SEV	0.4 Nm		
Tightening torque UL	3.5 lb-in		
Solder pin length	3.4 mm		
min. number of poles	2		
max. number of poles	11		
Insulating material class	CTI 600		
clearance/creepage dist.	7.6 mm		
Protection category	IP10		
Min. insul. strip length	6 mm		
Rated current	13 A		
Overvoltage category	III	III	II
Pollution degree	3	2	2
Rated voltage	500 V	1000 V	1000 V
Rated test voltage	6 kV	6 kV	6 kV
Terminal data			
rat.wiring solid AWGmax	0.34 mm <sup>2</sup> - 2 mm <sup>2</sup> / AWG 22 - AWG 14		
rat.wiring strand.AWGmax	0.34 mm <sup>2</sup> - 2 mm <sup>2</sup> / AWG 22 - AWG 14		
Approvals			
extended wiring UL	Wire range extended to No. 30 AWG for factory-wiring. Two same size wires No. 22-18 AWG Cu Sol/Str for field-wiring; No. 30-18 Cu Sol/Str factory-wiring.		
 V / A / AWG	600 / 15 / 22 - 14		
approval UL - File No.	E121004		
 1.5 mm <sup>2</sup>	750 V / 13 A / T60		
Material			
insulating material	PA66		
flammability class	V0		
terminal body thread	M3		
terminal body material	CuZnPb		
terminal body surface	Ni + Sn		
screw thread	M3		

**Data sheet**  
**RT019xxVDWC Type 063**

Page 3/5

P/N  
**310632xx****xx=number of poles**

2023/06/26

Version: Z

**Technical Data**

screw material	8,8
screw surface	Zn Cr(VI)-frei/free
wire protector material	CuSn
wire protector surface	Sn
Glow-Wire Flammability GWFI	960 °C acc. to IEC 60695-2-12
Glow-Wire Flammability GWIT	775 °C acc. to IEC 60695-2-13

**Climatic Data**

upper limit temperature	105 °C
lower limit temperature	-40 °C

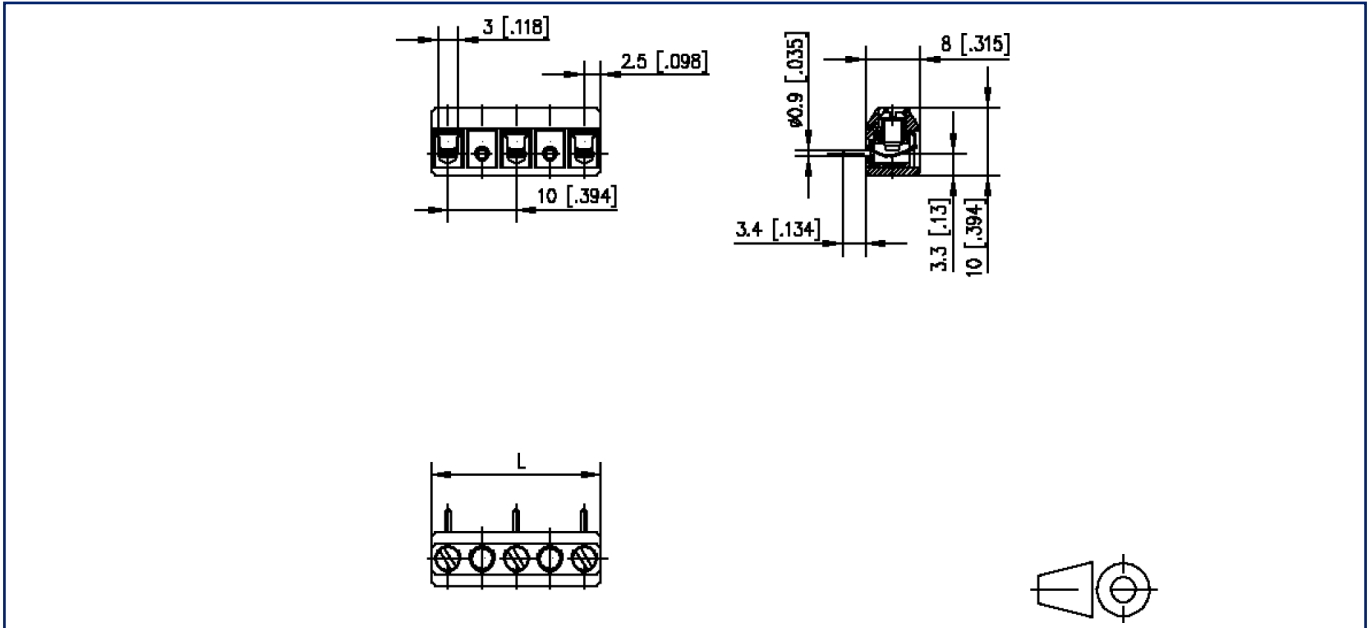
**general**

Tolerance	ISO 2768 -mH
Solderability	Acc. to JEDEC JESD22-B102E 245°C/5s



## Illustrations

Dimensional drawing



$L = (\text{pole size} - 1) \times \text{centerline} + 5 \text{ mm} [0.197]$



**Illustrations**

Drill pattern

